

**Alfa Romeo 156**

# table of contents

156 .....	8
BODY .....	8
MIRROR .....	8
LIGHTNING .....	9
BODY PARTS .....	10
BUMPER/GRILLE/PANEL .....	11
DRAFT DEFLECTOR .....	12
DRAFT DEFLECTOR .....	12
DRAFTDEFLECTOR .....	13
WINDOW REGULATOR .....	14
SCRIPTS .....	15
ENGINE .....	16
AIR SYSTEM.....	16
V-BELTS .....	17
TS 16V.....	17
2.0 JTS.....	18
2.5/3.2 V6 24V/GTA .....	19
1.9 JTD 8V .....	20
1.9 JTD 16V .....	21
2.4 JTD 10V .....	22
2.4 JTD 20V .....	23
ENGINE BLOCK.....	24
PISTON + LINERS .....	24
1.8 TS 16V.....	24
2,5 V6 24V .....	25
2.0 TS 16V.....	26
PIL PAN .....	27
FUEL SYSTEM .....	28
TS 16V.....	28
FUEL PUMP .....	28
2.0 JTS.....	29
FUEL PUMP .....	29
2.5/3.2 V6 24V/GTA .....	30
FUEL PUMP .....	30
1.9 JTD 8V .....	31
FUEL PUMP .....	31
1.9 JTD 16V .....	32
FUEL PUMP .....	32
2.4 JTD 10V .....	33
FUEL PUMP .....	33
2.4 JTD 20V .....	34
FUEL PUMP .....	34
ENGINE GASKETS .....	35
TS 16V.....	35
GASKETS ENGINE .....	35
HAED SET.....	36
FULL SET .....	37

HEADSREW SET .....	38
2.0 JTS .....	39
GASKETS ENGINE .....	39
HAED SET .....	40
2.5/3.2 V6 24V/GTA .....	41
GASKETS ENGINE .....	41
HAED SET .....	42
FULL SET .....	43
HEADSCREW SET .....	44
1.9 JTD .....	45
GASKETS ENGINE .....	45
HEADGASKET .....	46
HEAD SET .....	47
HEADSCREW SET .....	48
2.4 JTD .....	49
GASKETS ENGINE .....	49
HEAD GASKET .....	50
HEAD SET .....	51
HEADSCREW SET .....	52
COOLING SYSTEM .....	53
TS16V .....	53
TUBES .....	53
RADIATOR .....	54
THERMOSTAT .....	55
WATERPUMP .....	56
OVERFLOW CONTAINER.....	57
2.0 JTS .....	58
RADIATOR .....	58
THERMOSTAT .....	59
WATERPUMP .....	60
OVERFLOW CONTAINER.....	61
2.5/3.2 V6 24V/GTA .....	62
RADIATOR .....	62
THERMOSTAT .....	63
WATERPUMP .....	64
OVERFLOW CONTAINER.....	65
HOSE.....	66
HOSES .....	67
1.9 JTD 8V .....	68
RADIATOR .....	68
THERMOSTAT .....	69
WATERPUMP .....	70
OVERFLOW CONTAINER.....	71
1.9 JTD 16V .....	72
RADIATOR .....	72
THERMOSTAT .....	73
WATERPUMP .....	74
OVERFLOW CONTAINER.....	75
2.4 JTD 10V .....	76
RADIATOR .....	76

THERMOSTAT .....	77
WATERPUMP .....	78
OVERFLOW CONTAINER.....	79
2.4 JTD 20V .....	80
RADIATOR .....	80
THERMOSTAT .....	81
WATERPUMP .....	82
OVERFLOW CONTAINER.....	83
ENGINE MOUNT.....	84
TS16V.....	84
2.0 JTS.....	85
2.5/3.2 V6 24V/GTA .....	86
1.9 JTD 8V .....	87
1.9 JTD 16V .....	88
2.4 JTD 10V .....	89
156 2.4 JTD 20V .....	90
VALVE GEAR.....	91
TS16V.....	91
CAMSHAFT .....	91
VALVE MECHANISM .....	92
TIMING BELT.....	93
2.0 JTS.....	94
CAMSHAFT .....	94
VALVE MECHANISM.....	95
TIMINGBELT.....	96
2.5/3.2 V6 24V/GTA .....	97
CAMSHAFT .....	97
VALVE MECHANISM.....	98
TIMINGBELT.....	99
1.9 JTD 8V .....	100
CAMSHAFT .....	100
VALVE MECHANISM.....	101
TIMINGBELT.....	102
1.9 JTD 16V .....	103
CAMSHAFT .....	103
VALVE MECHANISM.....	104
TIMINGBELT.....	105
2.4 JTD 10V .....	106
CAMSHAFT .....	106
VALVE MECHANISM.....	107
TIMINGBELT.....	108
2.4 JTD 20V .....	109
CAMSHAFT .....	109
VALVE MECHANISM.....	110
TIMINGBELT.....	111
FILTER.....	112
TS 16V.....	112
2.0 JTS.....	113
2.5/3.2 V6 24V/GTA .....	114
1.9 JTD .....	115

2.4 JTD .....	116
EXHAUST SYSTEM.....	117
TURBO CHARGER.....	117
1.9/2.4 JTD .....	117
EXHAUST SYSTEM.....	118
TS 16V CF2.....	118
TS16V CF3.....	119
2.0 JTS .....	120
2.5 V6 24V >2002 .....	121
2.5/3.2 V6 24V/GTA 2002>.....	122
1.9 JTD 8V .....	123
1.9 JTD 16V .....	124
2.4 JTD 10V .....	125
2.4 JTD 20V .....	126
SPORT EXHAUST SYSTEM .....	127
TS16V CF2.....	127
TS16V CF3.....	128
2.0 JTS .....	129
2.5 V6 24V >2002 .....	130
1.9 JTD 8V .....	131
1.9 JTD 16V .....	132
2.4 JTD 10V .....	133
LAMBDA PROBE.....	134
TS16V CF2.....	134
TS16V CF3.....	135
2.0 JTS .....	136
2.5 V6 24V CF2 >2002 .....	137
2.5/3.2 V6 24V/GTA 2002>.....	138
AIR CONDITIONER.....	139
2001 - 2008 1,9JTD .....	139
DRIVETRAIN.....	140
DRIVE SHAFT .....	140
1.6/1.8 TS 16V.....	140
2.0 TS 16V.....	141
2.0 JTS .....	142
2.5 V6 24V .....	143
3.2 V6 24V/GTA .....	144
1.9 JTD 8V .....	145
1.9 JTD 16V .....	146
2.4 JTD 10V .....	147
2.4 JTD 20V .....	148
CLUTCH .....	149
CLUTCH SET 1.6/1.8 TS 16V .....	149
SLEEVE BEARING 1.6/1.8 TS 16V .....	150
CLUTCH SET 2.0 TS 16V.....	151
SLEEVE BEARING 2.0 TS 16V .....	152
CLUTCH SET 2.0 JTS .....	153
SLEEVE BEARING 2.0 JTS .....	154
CLUTCH SET 2.5 V6 24V .....	155
GUIDE BUSH F. SLEEVE BEARING 2.5 V6 24V .....	156

CLUTCH SET 3.2 V6 24V/GTA .....	157
GUIDE BUSH f. SLEEVE BEARING 3.2 V6 24V/ .....	158
GUIDE f. SLEEVE BEARING 1.9 JTD 8V .....	159
CLUTCH SET 1.9 JTD 8V .....	160
CLUTCH SET 1.9 JTD 16V .....	161
GUIDE BUSH f. SLEEVE BEARING 1.9 JTD 16V .....	162
CLUTCH SET 2.4 JTD 10V .....	163
GUIDE BUSH f. SLEEVE BEARING 2.4 JTD 10V .....	164
CLUTCH SET 2.4 JTD 20V .....	165
SLEEVE BEARING 2.4 JTD 20V.....	166
CLUTCH ACTUATION.....	167
1.6/1.8 TS 16V.....	167
2.0 TS 16V.....	168
2.0 JTS.....	169
2.5 V6 24V .....	170
3.2 V6 24V/GTA .....	171
1.9 JTD 8V .....	172
1.9 JTD 16V .....	173
2.4 JTD 10V .....	174
2.4 JTD 20V .....	175
BRAKE.....	176
BRAKE DISKS >2002.....	176
BRAKE DISKS 2002>.....	177
BRAKE PADS >2002 .....	178
BRAKE PADS 2002> .....	179
CALIPER >2002 .....	180
CALIPER 2002> FRONT .....	181
CALIPER 2002> REAR.....	182
BRAKE SERVO/BRAKE MASTER CYL. >2002 .....	183
BRAKE MASTER CYL. 2002> .....	184
BRAKE HOSES .....	185
BRAKE CABLE.....	186
SUSPENSION .....	187
STRUT TS 16V .....	187
STRUT 2.0 JTS .....	188
STRUT 2.5 V6 24V .....	189
STRUT 3.2 V6 24V/GTA .....	190
STRUT 1.9 JTD 8/16V.....	191
STRUT 2.4 JTD 10/20V .....	192
ATTACHMENT FRONT.....	193
ATTACHMENT REAR .....	194
WHEEL BEARING .....	195
STEERING .....	196
STEERING PARTS .....	196
ELECTRIC .....	197
FUSE .....	197
ENGINE ELECTRIC .....	198
GLOW PLUG.....	198
SENSORS.....	199
IGNITION SYSTEM TS.....	200

IGNITION SYSTEM V6.....	201
AGGREGATS TS .....	202
AGGREGATS JTS.....	203
AGGREGATS V6 24V .....	204
AGGREGATS 1.9 JTD 8V .....	205
AGGREGATS 1.9 JTD 16V .....	206
AGGREGATS 2.4 JTD 10V .....	207
AGGREGATS 2.4 JTD 20V .....	208
INTERIOR.....	209
CAR MAT .....	209

## Außenspiegel/Mirror 156



1. ASP 18580  
links/left  
>2001

2. ASP 36539  
links/left  
2001>

3. ASP 79252  
Glas/glass  
rechts/right

4. ASP 79253  
Glas/glass  
links/left



5. ASP 17130  
rechts/right  
> 2001

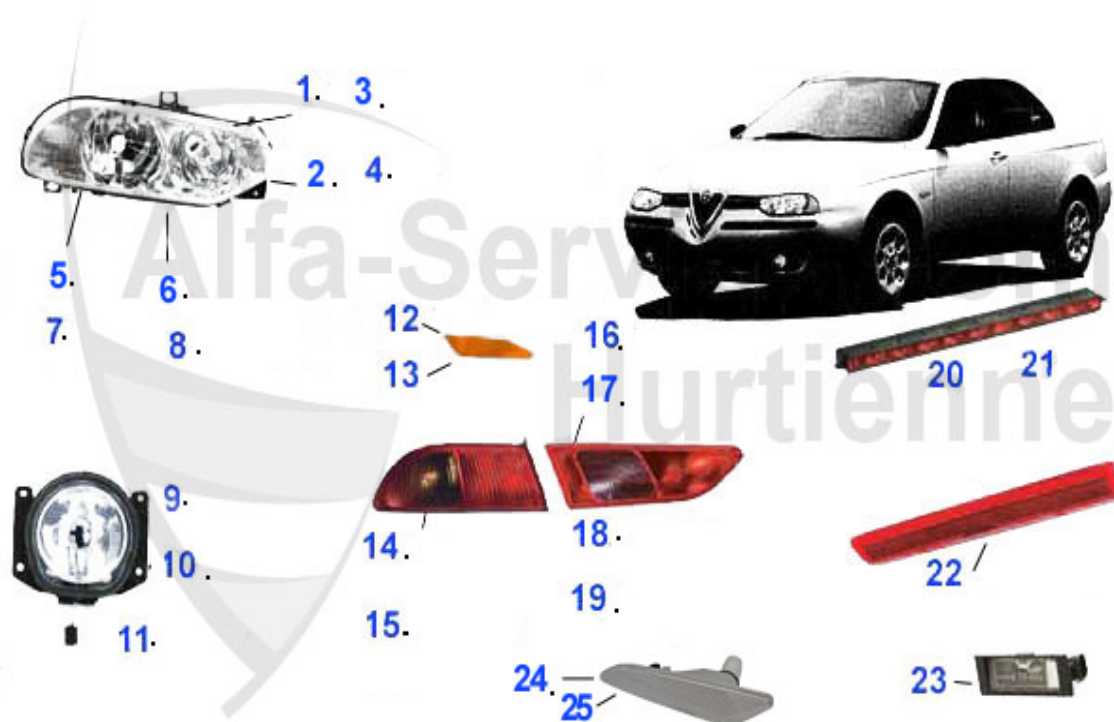
6. ASP 36535  
rechts/right  
2001>



1	ASP18580	OUTER MIRROR LEFT 156 year >01 ELECTRIC,BLUE GLASS,COLOUR BLACK	179.52 EUR
2	ASP36539	OUTER MIRROR LEFT 156 YEAR 01> ELECTRIC, BLUE GLASS,CONVEX,GROUNDED	235.00 EUR
3	ASP79252	Ersatzglas f. Außenspiegel 156 rechts	29.24 EUR
4	ASP79253	Ersatzglas f. Außenspiegel 156 links	29.24 EUR
5	ASP17130	OUTER MIRROR RIGHT 156 YEAR >01 ELECTRIC,BLUE GLASS,CONVEX,WITH SENSOR, COLOUR BLACK	179.52 EUR
6	ASP36535	OUTER MIRROR RIGHT 156 YEAR 01> ELECTRIC,BLUE GLASS,CONVEX,GROUNDED	235.00 EUR



# 156 > BODY > LIGHTNING



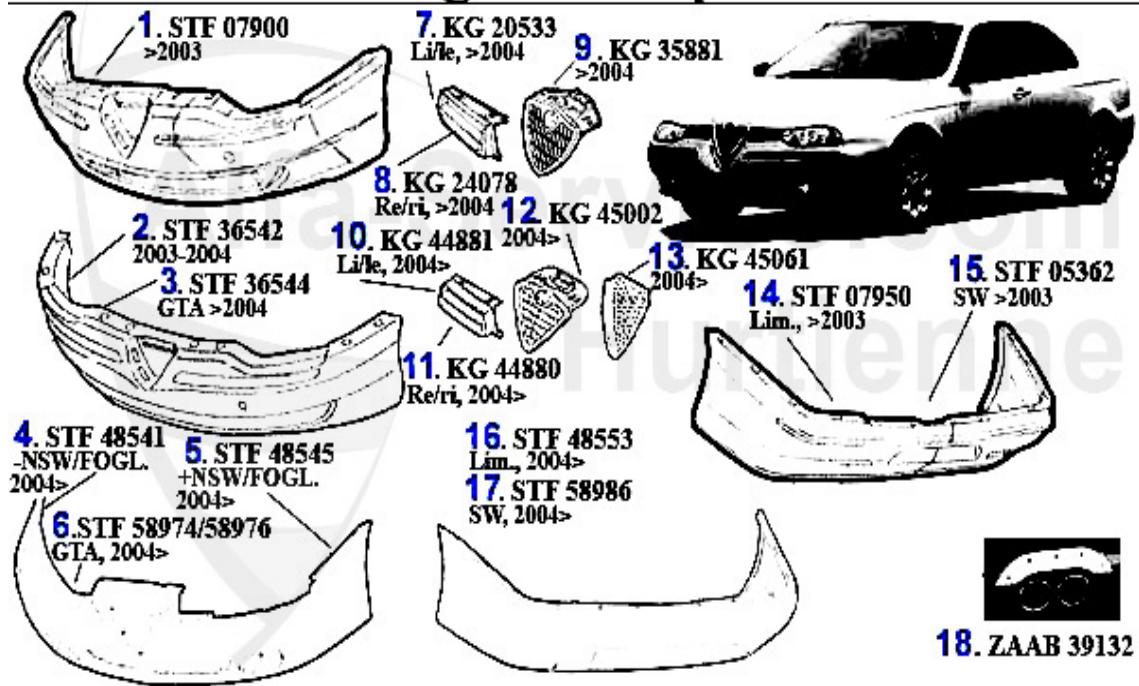
1	SW20134	Hauptscheinwerfer rechts 156 (mit L EW) H7/H1	139.52 EUR
2	SW20135	Hauptscheinwerfer links 156 (mit LE W) H7/H1	139.52 EUR
3	SW78728	Xenon-Hauptscheinwerfer rechts 156	***
4	SW79517	Xenon-Hauptscheinwerfer links 156	624.75 EUR
5	SW85942	HEADLIGHT AR 159 and GTA FROM 09.03-09.05	193.89 EUR
5	SW79705	Hauptscheinwerfer rechts 156 GTA Bj. >6.03	213.01 EUR
6	SW79707	Hauptscheinwerfer links 156 GTA Bj. >6.03	213.01 EUR
6	SW85943	HEADLIGHT AR 156 and GTA FROM 09.03-09.05	193.89 EUR
7	SW77965	XENON HEADLIGHT RH 156 GTA >06.03	***
8	SW77966	XENON HEADLIGHT LH 156GTA > 06.03	***
9	NSW490119	FOGLIGHT 156 1997-01	61.55 EUR
10	NSW92719	FOG LAMP 156/SW (NOT GTA) 02>	69.25 EUR
11	NSW95239	Nebelscheinwerfer 156/GTA	77.00 EUR
12	ZBL20141	Zusatz-Blinkleuchte rechts 156/SW	12.90 EUR
13	ZBL20142	Zusatz-Blinkleuchte links 156/SW	12.90 EUR
14	RL20136	Rückleuchte rechts 156/SW (außen)	***
15	RL20137	Rückleuchte links 156/SW (außen)	***
16	RL20138	Rückleuchte rechts 156/SW (innen)	***
17	RL20139	Rückleuchte links 156/SW (innen)	***
18	RL85981	Rückleuchte 156/SW innen rechts Bj. 04> (Facelift)	***
19	RL85982	Rückleuchte 156/SW innen links Bj. 04>	82.50 EUR
20	ZBL20687	OE. 60620687 TAIL LAMP 156 >2000	***
21	ZBL70493	OE. 60670493 TAIL LAMP 156 2000>	***
23	KL08006	Kennzeichenleuchte 156/SW,166	13.23 EUR
24	ZBL86517	Zusatzblinkleuchte 147 links Bj. 05 > (Facelift)	11.19 EUR
25	ZBL86516	Zusatzblinkleuchte 147 rechts Bj. 05 > (Facelift)	11.19 EUR

# Karosserieteile/Body Parts 156



1	GF9675	OE. 60654724 PROP/BONNET 156	26.57 EUR
2	MH07280	Motorhaube 156 > Bj.03	266.73 EUR
3	MH85925	OE. 60685925 HOOD BONNET 156 2003>	***
4	FB07200	FRONT PLATE 156 >03	202.00 EUR
5	FB85775	OE. 60685775 FRAMING 156 2003>	193.59 EUR
6	QT07230	OE.60619597 boxed panel(lower radiator) 156 year >03	81.04 EUR
7	QT85792	OE. 60685792 CROSSRAIL 156 2003>	99.90 EUR
8	QT19994	OE. 60619994 BOXED PANEL 156	57.56 EUR
9	KF07311	OE. 60619296 FENDER FL 156 >2003	***
10	KF07312	OE. 60619295 FENDER FR 156 >2003	***
11	KF85919	OE. 60685919 FR.MUDGUARD/FENDER 156 2003>	***
12	KF85948	OE. 60685948 FR.MUDGUARD/FENDER 156 2003>	***
13	KF74075	OE. 60674075 FR.MUDGUARD/FENDER 156 GTA	***
14	KF74073	OE. 60674073 FR.MUDGUARD/FENDER 156 GTA	***
15	GF0504	OE. 60651067 GAS SPRING HATCH BACK 156 09.2000>	27.70 EUR
16	GF8355	Gasfeder Heckklappe 156 mit Spoiler	28.21 EUR
17	GF4833	OE. 60664833 GAS SPRING BACKDOOR 156 SW	15.01 EUR

## Stoßstangen/Bumpers 156



1	STF07900	OE. 60779355 FRONT BUMPER 156 >2003	230.82 EUR
2	STF36542	FRONT BUMPER 156 (PROGRESSION, DISTINCTIVE) 02-04	***
3	STF36544	FRONT BUMPER 156 GTA, YEAR >04	***
4	STF48541	Stoßfänger vorne 156 (Impression,Pr ogression,Distinctive) Bj. 04> (Facelift) auch für NSW	435.99 EUR
5	STF48545	Stoßfänger 156 vorne (Impression,Pr ogression,Distinctive) mit NSW & Scheinwerferwaschanlage Bj. 04> (Face lift)	539.00 EUR
6	STF58976	Stoßfänger 156 GTA vorne Bj. 04> (Facelift) mit Scheinwerferwaschanlage	440.10 EUR
6	STF58974	Stoßfänger 156 GTA vorne Bj. 04> (Facelift) ohne Scheinwerferwaschanlage	440.10 EUR
7	KG20533	OE. 156020533 GRILLE 156 LEFT	33.68 EUR
8	KG24078	OE. 156024078 GRILLE 156 RIGHT	33.47 EUR
9	KG35881	GRILLE 156 >04	***
10	KG44881	Kühlergrill 156 links (Progression, Impression,Distinctive) Bj. 04> (Facelift)	***
11	KG44880	Kühlergrill 156 rechts (Impression, Progression,Distinctive) Bj. 04> (Facelift)	55.00 EUR
12	KG45002	RADIATOR GRILL (UPPER PART) 156 04> FACELIFT, ON THE BONNET	56.49 EUR
13	KG45061	RADIATOR GRILLE 156 CENTRE,INFERIOR SECTION 04> (FACELIFT)	***
14	STF05362	REAR BUMPER 156 SW	***
15	STF07950	REAR BUMPER 156	224.66 EUR
16	STF48553	Stoßfänger 156 hinten (Impression,Pr ogression,Distinctive) Bj. 04> (Facelift)	409.32 EUR
17	STF58986	Stoßfänger 156 SW hinten (Impression,Pr ogression,Distinctive) Bj. 04> (Facelift)	388.80 EUR
18	ZAAB39132	Zender Auspuff-Ausschnittblende 156 Serienschürze 1x90 mm	60.73 EUR

## Dachwindabweiser/Top Draftdeflector 156

---



1. DWA 1030

ohne Belüftungsklappen  
without ventilation flaps



---

1 DWA1030 Dachwindabweiser 156/SW

46.67 EUR

## Seitenwindabweiser/Side Draftdeflector 156

---



---

1 SWA2032 Seitenwindabweiser 156/SW

\*\*\*

## 156 > BODY > WINDOW REGULATOR



1	FH010126	WINDOW REGULATOR COMPLETE 156 FRONT RIGHT (AFTERMARKET PRODUCT)	108.99 EUR
1	FH010127	WINDOW REGULATOR COMPLETE 156 FRONT LEFT (AFTERMARKET PRODUCT)	108.99 EUR
2	FH010128	WINDOW REGULATOR COMPLETE 156 REAR RIGHT (AFTERMARKET PRODUCT)	129.00 EUR
2	FH010129	WINDOW REGULATOR COMPLETE 156 REAR LEFT(AFTERMARKET PRODUCT)	129.00 EUR



---

**1 23 038 0 0 ALFA EMBLEM 75mm METAL (ADHESIVE BONDING)**  
33,75,145/6,155,156,164,166,115

**19.00 EUR**

## 156 > ENGINE > AIR SYSTEM



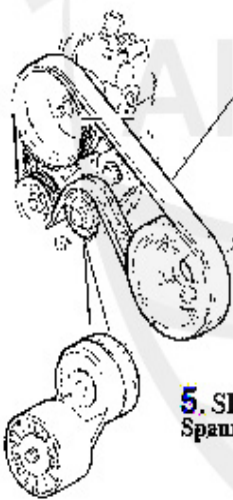
1	LR13829	OE. 71713829 ELECTRO-VALVE	***
2	LMM07008	OE. 46407007 FLOWMETER TS 16V	348.99 EUR
2	LMM59804	OE. 46541253/60814852/46559804/55193048 0280218019,AIR FLOW METER DIV MODELLS Aftermarket product 5-pole	59.00 EUR
3	LMS93709	Luftmassenschlauch 147/6 u.155 4 Zylindermotoren am Luftfilter 145/6 (94-99) AR155 (92-97)	***
4	ASK68794	OE. 60668794 DUCTING	***
4	ASK68795	OE. 60668795 DUCTING	***



# Keilriemen/V-Belt 156 TS 16V

ohne/without

Klimaanlage/AC:



- 1. KRR 6PK1045**  
1.6/1.8
- 2. KRR 7PK1083**  
2.0 >Mot.1385143
- 3. KRR 6PK1082**  
2.0 Mot.1385144-2835764
- 4. KRR 6PK1062**  
2.0 Mot.2865765>

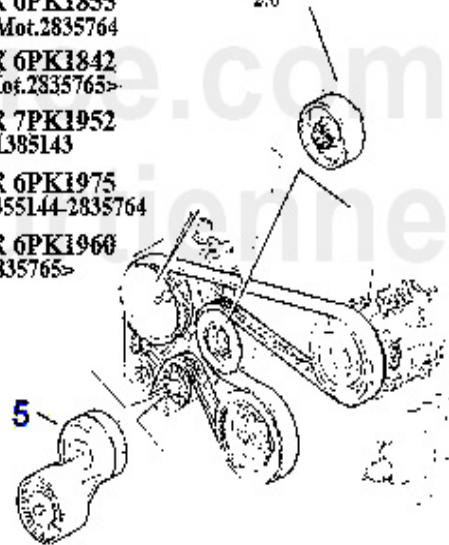
**5. SPA 55863**  
Spanner/tensioner

mit/with

Klimaanlage/AC:

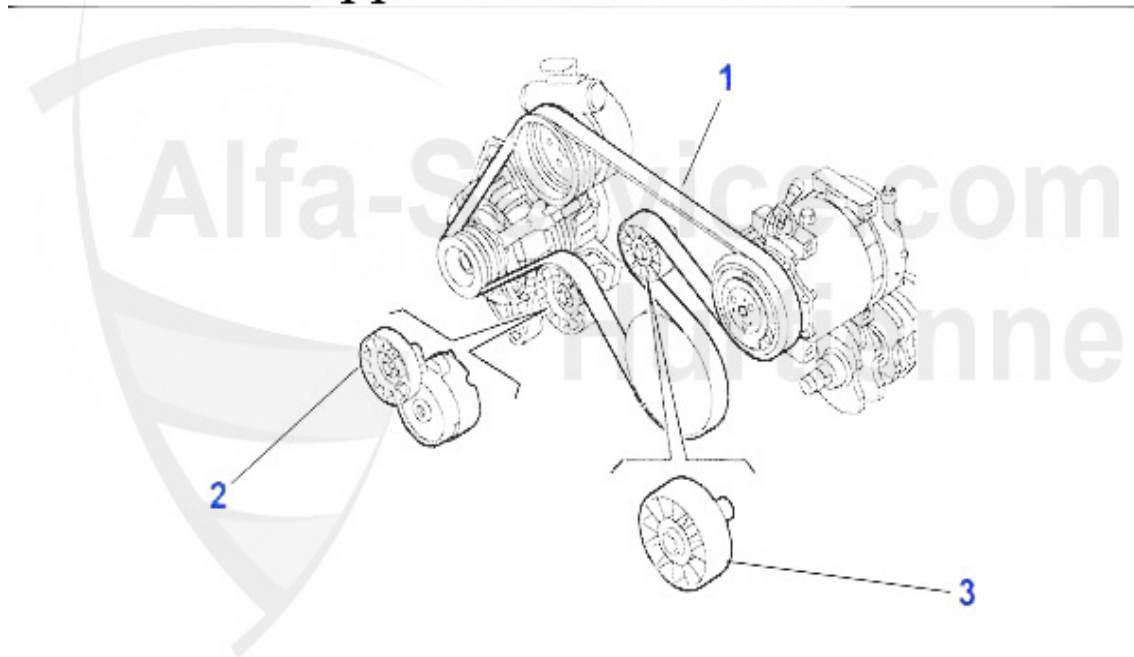
- 8. KRR 6PK1855**  
1.6/1.8 >Mot.2835764
- 9. KRR 6PK1842**  
1.6/1.8 Mot.2835765>
- 10. KRR 7PK1952**  
2.0 >Mot.1385143
- 11. KRR 6PK1975**  
2.0 Mot.1355144-2835764
- 12. KRR 6PK1960**  
2.0 Mot.2835765>

- 6. UR 55849**  
1.6/1.8
- 7. UR 55848**  
2.0



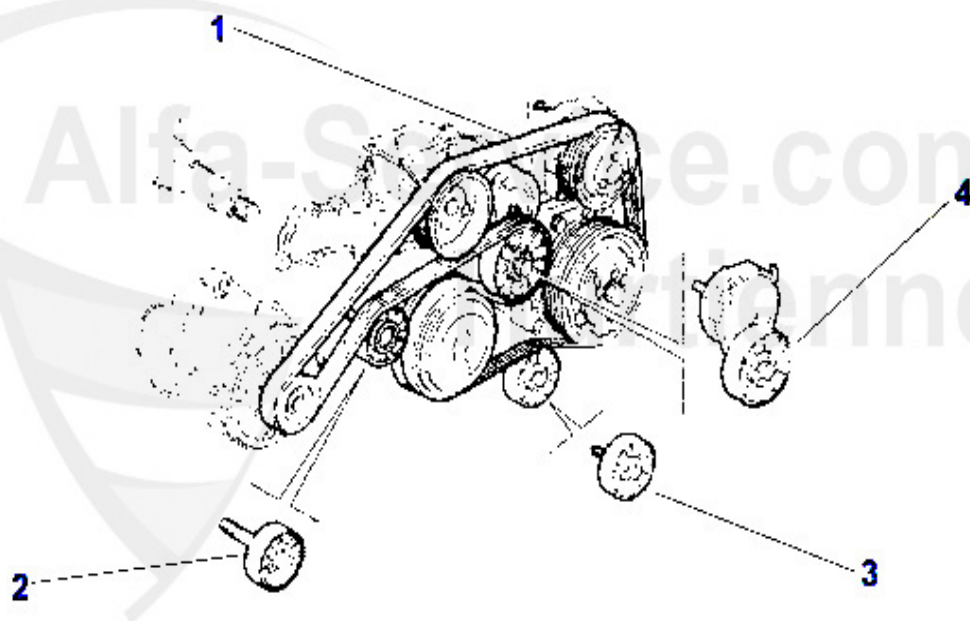
<b>1</b>	<b>KRR6PK104</b> 5	Keilrippenriemen 6PK1045 145/6 Bj. 97>,155,156,gtv&spider(916) 1.4/1.6 /1.8 TS 16V ohne Klima Generator/S ervopumpe	<b>20.00 EUR</b>
<b>2</b>	<b>KRR7PK108</b> 3	Keilrippenriemen 7PK1083 145/6,155 156,166,gtv/spider (916) bis Motor # 1385143, Servopumpe	<b>28.00 EUR</b>
<b>3</b>	<b>KRR6PK108</b> 2	Keilrippemriemen 6PK1082 145/6 2.0 TS 16V,147 2.0 TS/JTS,156/166 2.0 T S,gtv/spider (916) Bj. 98> 2.0 TS o hne Klima, Generator/Servopumpe	<b>25.00 EUR</b>
<b>4</b>	<b>KRR6PK106</b> 2	Keilrippenriemen 6PK1062 147,156 2. 0 16V TS CF 3 ohne Klima Generator/ Servopumpe	<b>22.50 EUR</b>
<b>5</b>	<b>SPA55863</b>	DRIVE BELT TENSIONER 145/6/7,155/6,166,916 2.0	<b>44.49 EUR</b>
<b>6</b>	<b>UR55849</b>	OE.60812515,REVERSE ROLLER FOR RIPPED V-BELT 145/6/7,155/6,GTV/SPIDER(916) 1.4/1.6/1.8 TS (WITH AIR CON)	<b>34.00 EUR</b>
<b>7</b>	<b>UR55848</b>	DRIVE BELT BEARING 156 2.0,145,166,916	<b>55.00 EUR</b>
<b>8</b>	<b>KRR6PK185</b> 5	V-RIBBED BELT 6PK1855,OE.60814395,145/6 1.4/1.8 TS 16V YEAR 97>,1.6 TS,1.6/1.8 16V,GTV/SPIDER 1.8 16V TS YEAR 98> GENERATOR,SERVOPUMP,AIR-CON-COMPRESSOR	<b>28.50 EUR</b>
<b>9</b>	<b>KRR6PK184</b> 2	V-RIBBED BELT 6PK 1842 145/6 1,8 TS WITH A/C , 155 1,6/1,8 TS , NUOVO GT	<b>30.73 EUR</b>
<b>10</b>	<b>KRR7PK195</b> 2	Keilrippenriemen 7PK1952 145/6,155, gtv/spider (916) 2.0 TS 16V ab Moto r # 343116, Generator/Servopumpe/KI imakompressor	<b>52.50 EUR</b>
<b>11</b>	<b>KRR6PK197</b> 5	OE.60815414/60630741 RIBBED V- BELT,156/166/GTV/SPIDER(916)CF3 2.0L TS 16V UNTIL ENGINE #1385143 GENERATOR/SERVOPUMP/AIRCON COMPRESSOR 6PK1975 145/6/147	<b>35.50 EUR</b>
<b>12</b>	<b>KRR6PK196</b> 0	RIBBED BELT 6PK1960	<b>40.00 EUR</b>

## Keilrippenriemen 156 JTS



<b>1</b>	<b>KRR6PK196</b>	<b>40.00 EUR</b>
<b>0</b>	<b>RIBBED BELT 6PK1960</b>	
<b>2</b>	<b>SPA55863 DRIVE BELT TENSIONER 145/6/7,155/6,166,916 2.0</b>	<b>44.49 EUR</b>
<b>3</b>	<b>UR55848 DRIVE BELT BEARING 156 2.0,145,166,916</b>	<b>55.00 EUR</b>

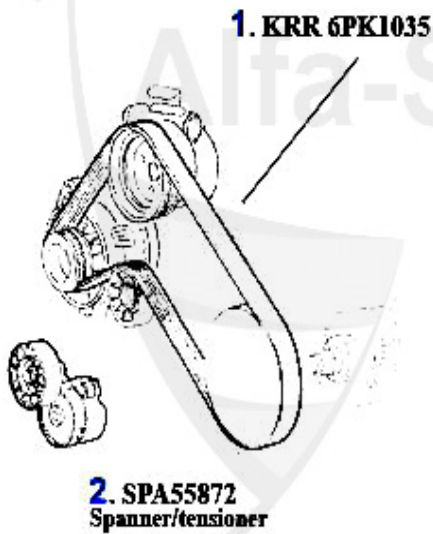
## Keilrippenriemen 156 V6 24V/GTA



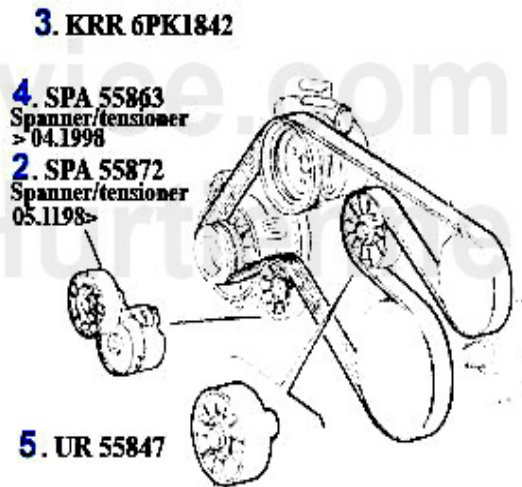
<b>1</b>	<b>KRR6PK199</b> 5 V-BELT 6PK1995, OE.60626658, 147/156/ 166/GTV SPIDER (916) NUOVO GT ALL V6 24 V, GTA GENERATOR/SERVOPUMP/AIR CON COMPRESSOR	<b>29.00 EUR</b>
<b>2</b>	<b>UR55865</b> IDLER PULLEY FOR DRIVE BELT 156,166,GTV/ SPIDER (916) V6	<b>42.70 EUR</b>
<b>3</b>	<b>UR55867</b> IDLER PULLEY FOR DRIVE BELT 156,166, GTV/SPIDER (916) V6	<b>48.00 EUR</b>
<b>4</b>	<b>SR55866</b> TENSIONER PULLEY FOR DRIVE BELT 156, 166 V6 24V/GTA	<b>149.00 EUR</b>

## Keilriemen/V-Belt 156 1.9 JTD 8V

ohne/without  
Klimaanlage/AC:

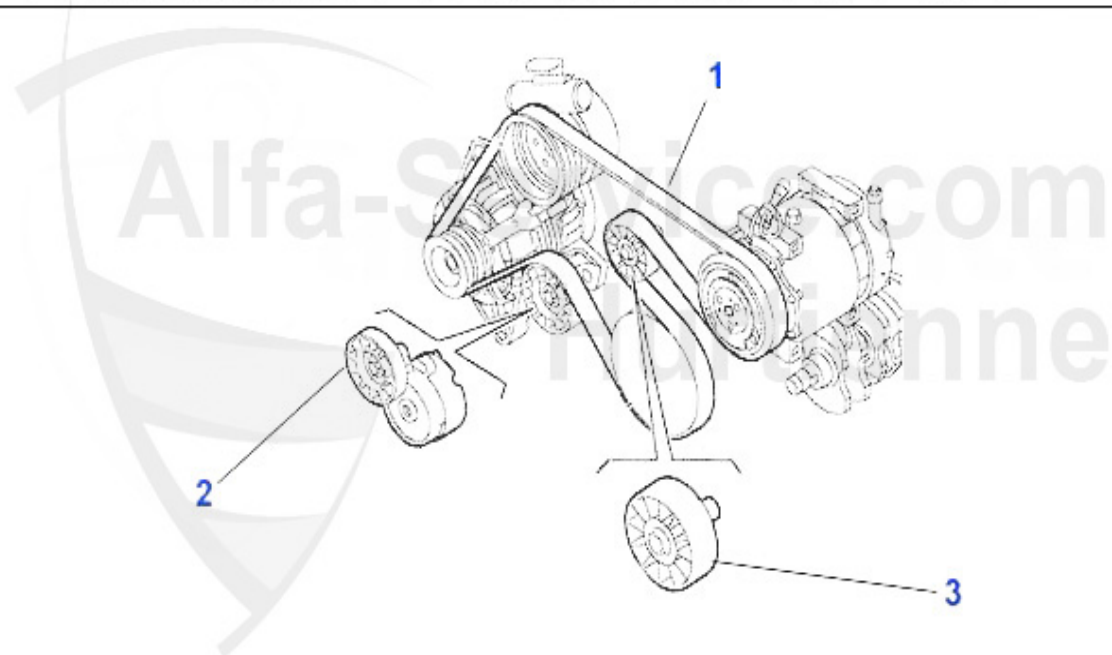


mit/with  
Klimaanlage/AC:



<b>1</b>	<b>KRR6PK103</b> 5	TIME BELT 6PK1035 145/6,156,147 1.9 JTD WITHOUT AC senza aria condizionata	<b>21.75 EUR</b>
<b>2</b>	<b>SPA55872</b>	Spannarm Keilrippenriemen 145/6/7, 156 1.9 JTD (81/85KW mit/ohne Klima )	<b>44.21 EUR</b>
<b>3</b>	<b>KRR6PK184</b> 2	V-RIBBED BELT 6PK 1842 145/6 1,8 TS WITH A/C , 155 1,6/1,8 TS , NUOVO GT	<b>30.73 EUR</b>
<b>4</b>	<b>SPA55863</b>	DRIVE BELT TENSIONER 145/6/7,155/6,166,916 2.0	<b>44.49 EUR</b>
<b>5</b>	<b>UR55847</b>	Umlenkrolle f. Keilrippenriemen 145 /6,147,156 1.9 JTD mit Klima	<b>30.68 EUR</b>

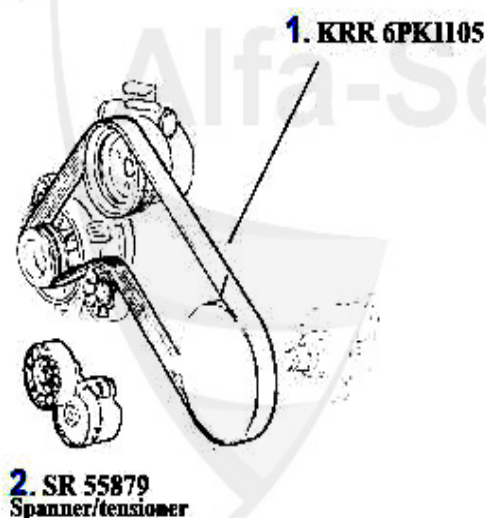
## Keilriemen/V-Belt 156 1.9 JTD 16V



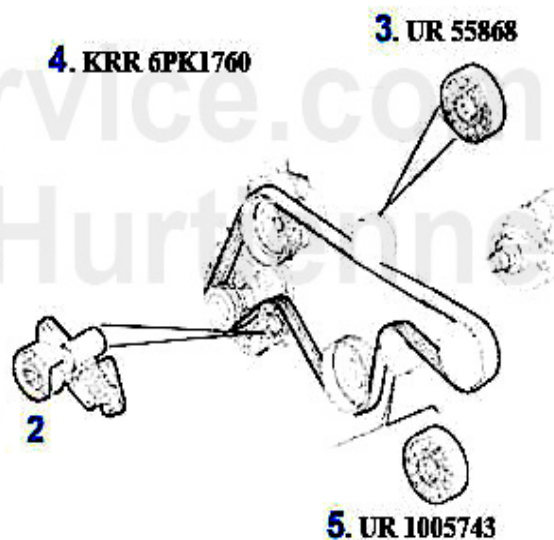
<b>1</b>	<b>KRR6PK184</b>	<b>30.73 EUR</b>
<b>2</b>	<b>V-RIBBED BELT 6PK 1842 145/6 1,8 TS WITH A/C , 155 1,6/1,8 TS , NUOVO GT</b>	
<b>2</b>	<b>SPA55872 Spannarm Keilrippenriemen 145/6/7, 156 1.9 JTD (81/85KW mit/ohne Klima )</b>	<b>44.21 EUR</b>
<b>3</b>	<b>UR55847 Umlenkrolle f. Keilrippenriemen 145 /6,147,156 1.9 JTD mit Klima</b>	<b>30.68 EUR</b>

## Keilriemen/V-Belt 156 2.4 JTD 10V

ohne/without  
Klimaanlage/AC:

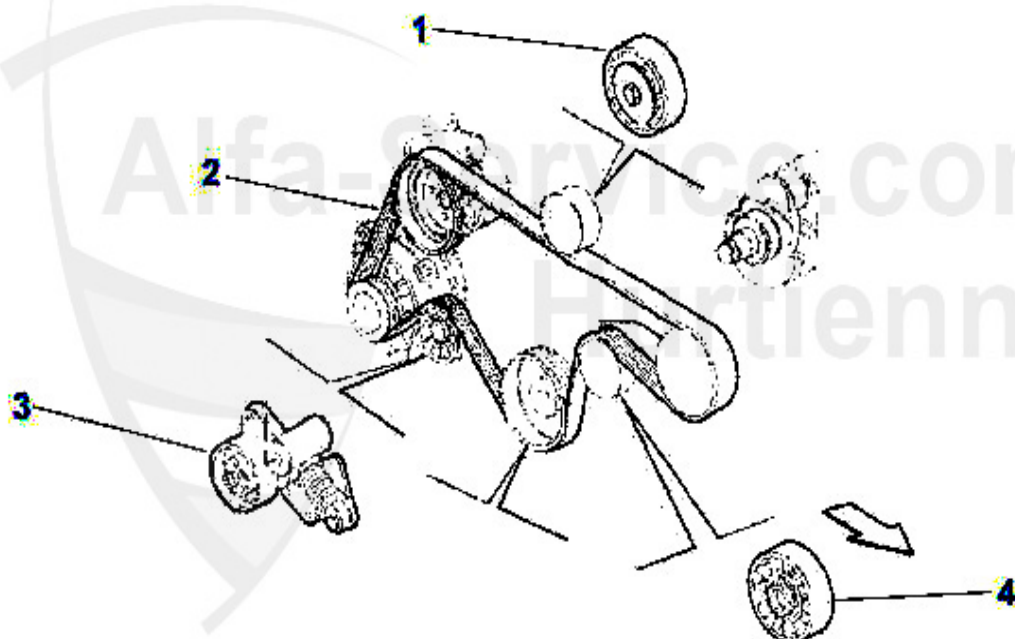


mit/with  
Klimaanlage/AC:



1	KRR6PK110 5	Keilrippenriemen 6PK1105 156 2.4JTD ohne Klima,Generator/Servopumpe	26.06 EUR
2	SR55879	Riemenspanner Keilrippenriemen 156/ 166 2.4 JTD	173.37 EUR
3	UR55868	IDLER PULLEY RIBBED DRIVE BELT 156/166 2.4 JTD (WITH AC)	40.01 EUR
4	KRR6PK176 0	Keilrippenriemen 6PK1760 156 2.4JTD Generator/Servopumpe/ Klimakompressor	28.00 EUR
5	UR1005743	Umlenkrolle Keilrippenriemen 156 2.4 JTD	50.27 EUR

## Keilriemen/V-Belt 156 2.4 JTD 20V



1	UR55868	IDLER PULLEY RIBBED DRIVE BELT 156/166 2.4 JTD (WITH AC)	40.01 EUR
2	KRR6PK176 0	Keilrippenriemen 6PK1760 156 2.4JTD Generator/Servopumpe/ Klimakompressor	28.00 EUR
3	SR55879	Riemenspanner Keilrippenriemen 156/ 166 2.4 JTD	173.37 EUR
4	UR1005743	Umlenkrolle Keilrippenriemen 156 2.4 JTD	50.27 EUR



1 KB24126 OE. 71713064 PISTON 1.8 TS 16V AR32201

159.01 EUR





1 KB14927 OE. 71714927 PISTON E LINER ASS 156/166 2.5 V6 24V

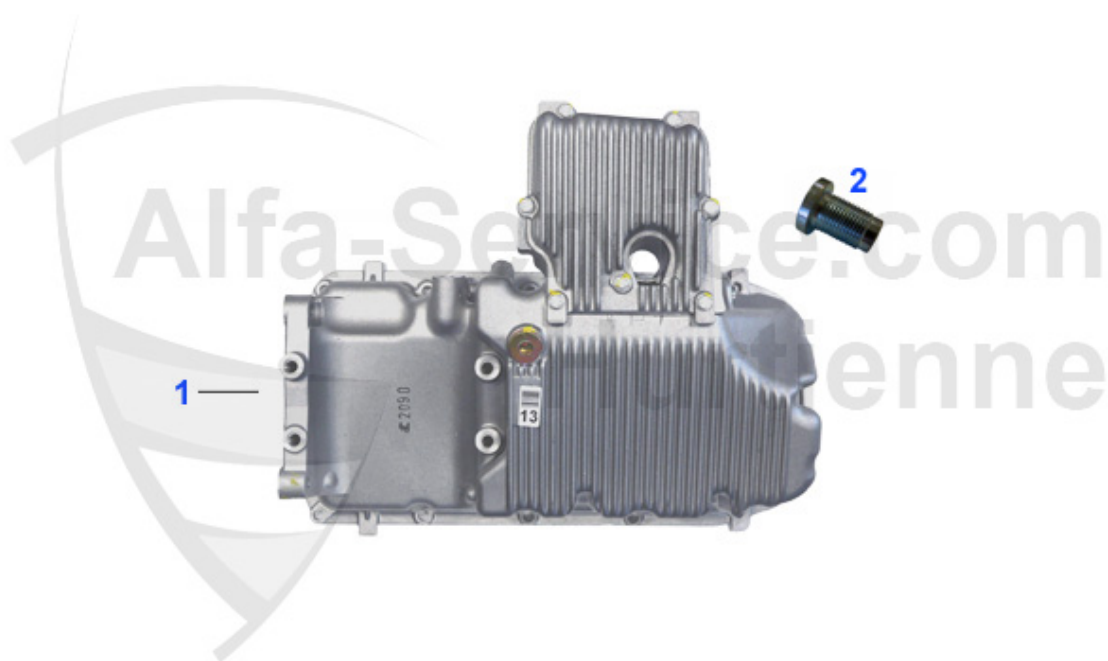
325.00 EUR



1 KB24100 OE. 5895173 PISTON 2.0 TS 16V (AR162201/32301)

184.45 EUR

156 > ENGINE > ENGINE BLOCK > PIL PAN



1	OW90209	OE. 55190209 PIL PAN 145/6,147,155,156, gtv/spider (916),Nuovo GT	***
2	OWD357	OIL DRAIN SCREW Alfa 145,146,147,155, 156,GT,GTV+Sp.916,NUOVO SPIDER,BRERA O.E. 46476967 (M18x1,5 30mm height)	7.74 EUR

## Kraftstoffpumpe/Fuel Pump 156 TS

1. KP 6505  
1.6 TS >#0084340

2. KP 6501  
1.6 TS >#0084341/  
1.8/2.0 CF 2



3. KP 6510  
1.6/1.8/2.0 CF3



1	KP6505	OE. 60652212 FUEL PUMP 156 1.6 TS > #0084340	252.36 EUR
3	KP6510	OE. 60654919/60682368 FUEL PUMP 156, Nuovo GT 1.6/1.8/2.0 TS /2.5/3.2 V6 24V CF3	235.00 EUR



---

1	KP6841	OE.60677545 Fuelpump 156 2,0 JTS (932AXA/9321BXA) 122KW 166HP 1970 ccm
---	--------	---

**216.46 EUR**

## Kraftstoffpumpe/Fuel Pump 156 2.5 V6 24V/GTA

---



---

1 KP6510 OE. 60654919/60682368 FUEL PUMP 156, Nuovo GT 1.6/1.8/2.0 TS /2.5/3.2 V6 24V CF3

235.00 EUR

## Kraftstoffpumpe/Fuel Pump 156 1.9 JTD 8V

---



1 . KP 6562  
CF 2, >09.2000

2 . KP 6569  
CF 3, 10.2000->

1	KP6562	OE. 60664114 FUEL PUMP 156 1.9 JTD 8V > 09.2000	203.12 EUR
2	KP6569	OE. 60667034 FUEL PUMP 156 1.9/2.4 JTD 8/10V,16V/20V CF3 09.2000 >	220.55 EUR

## Kraftstoffpumpe/Fuel Pump 156 1.9 JTD 16V

---



---

1 KP6569 OE. 60667034 FUEL PUMP 156 1.9/2.4 JTD 8/10V,16V/20V CF3 09.2000 >

**220.55 EUR**



## Kraftstoffpumpe/Fuel Pump 156 2.4 JTD 10V

---



1	KP6562	OE. 60664114 FUEL PUMP 156 1.9 JTD 8V > 09.2000	203.12 EUR
2	KP6569	OE. 60667034 FUEL PUMP 156 1.9/2.4 JTD 8/10V,16V/20V CF3 09.2000 >	220.55 EUR

## Kraftstoffpumpe/Fuel Pump 156 2.4 JTD 20V

---



---

1 KP6569 OE. 60667034 FUEL PUMP 156 1.9/2.4 JTD 8/10V,16V/20V CF3 09.2000 >

**220.55 EUR**

## Dichtungen Motor/Gaskets Engine 156 TS 16V



1. VDD 5400

2. WD 08200  
Auslaß/exhaust  
30x42x7 mm

3. WD 55300  
Einlaß/intake  
55x68x8 mm

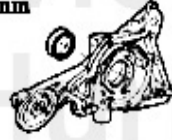


4. ASKD 59747



5. AGKD 02761

6. WD 55200  
31x41x7 mm

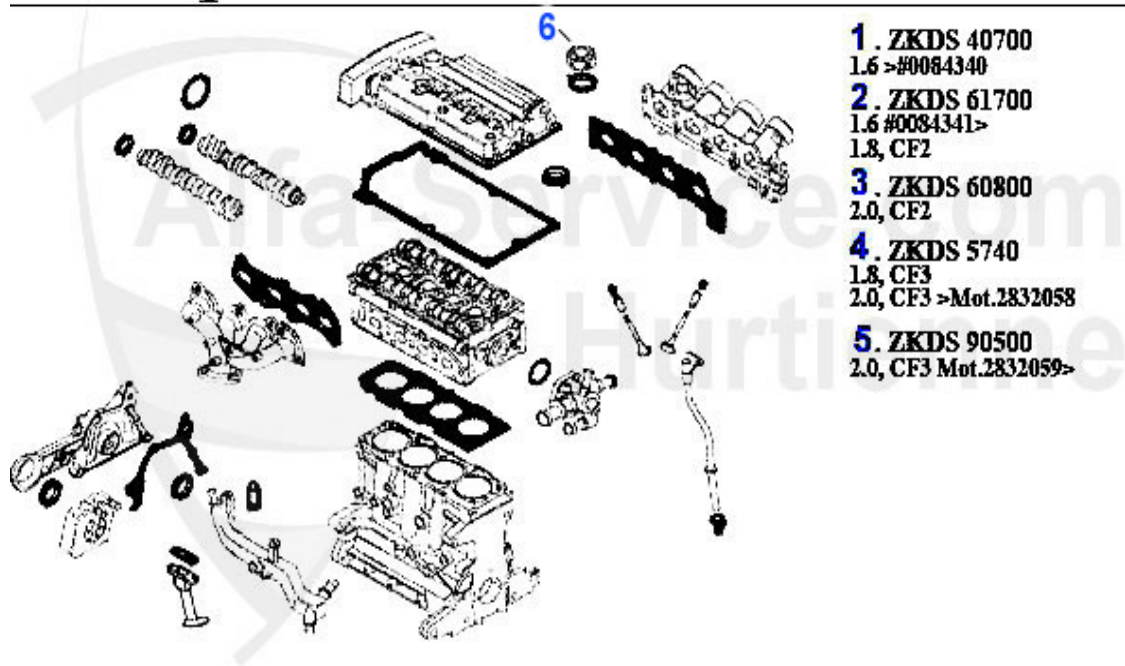


7. WD 0800



1	VDD5400	CAM COVER GASKET FOR PLASTIC COVER 145/6 , 156 GTV/ SPIDER 916 04.98>	33.50 EUR
2	WD08200	CAMSHAFT 145/6,155,156,GTV/SPIDER (916), 166 VARIOUS 96-01	15.51 EUR
3	WD55300	CAMSHAFT OIL SEAL 145/6,155,156 1.6,1.7, 1.8,2.0 16V TS	17.90 EUR
4	ASKD59747	INTAKE MANIFOLD GASKET 145/6,147,155, 156,166,GTV/SPIDER (916),NUOVO GT # 0165088> TS 16V	25.13 EUR
5	AGKD02761	EXHAUST MANIFOLD GASKET 145/6,147,155, 156,166,GTV/SPIDER (916) TS/JTS 16 V STARTING FROM YEAR 1998	24.00 EUR
6	WD55200	OE.7628850 oil seal crankshaft front	10.31 EUR
7	WD0800	OIL SEAL CRANKSHAFT REAR (FLYWHEEL) 147 1.6 TS 16V/1.9 JTD 03>, 156 1.9/2.4 JTD 00>	47.50 EUR

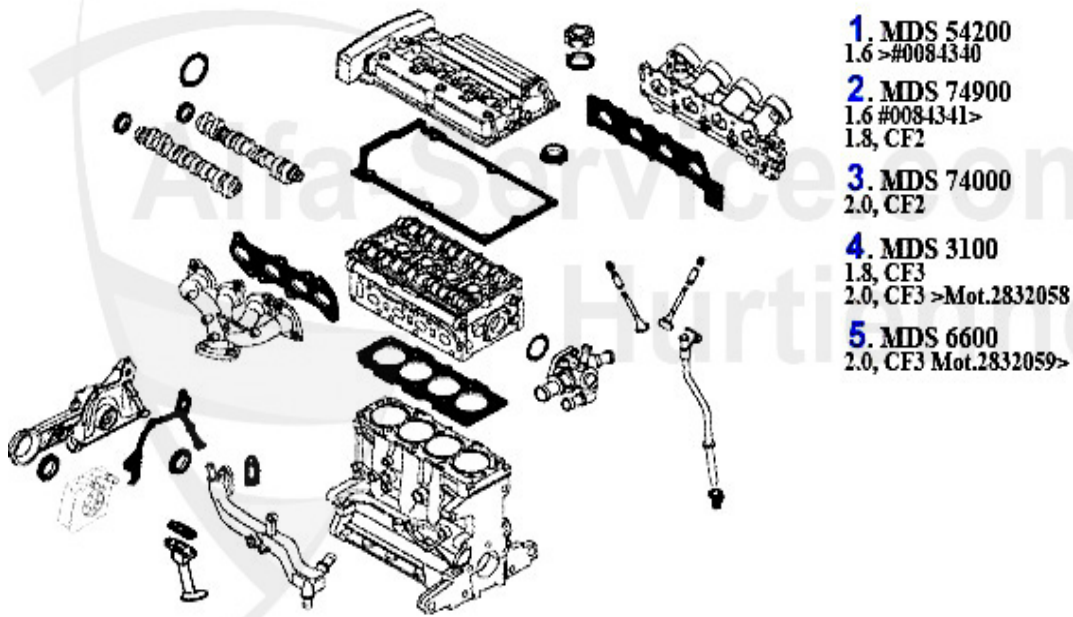
## Kopfsatz/Head Set 156 TS 16V



- 1. ZKDS 40700**  
1.6 >#0084340
- 2. ZKDS 61700**  
1.6 #0084341>  
1.8, CF2
- 3. ZKDS 60800**  
2.0, CF2
- 4. ZKDS 5740**  
1.8, CF3  
2.0, CF3 >Mot.2832058
- 5. ZKDS 90500**  
2.0, CF3 Mot.2832059>

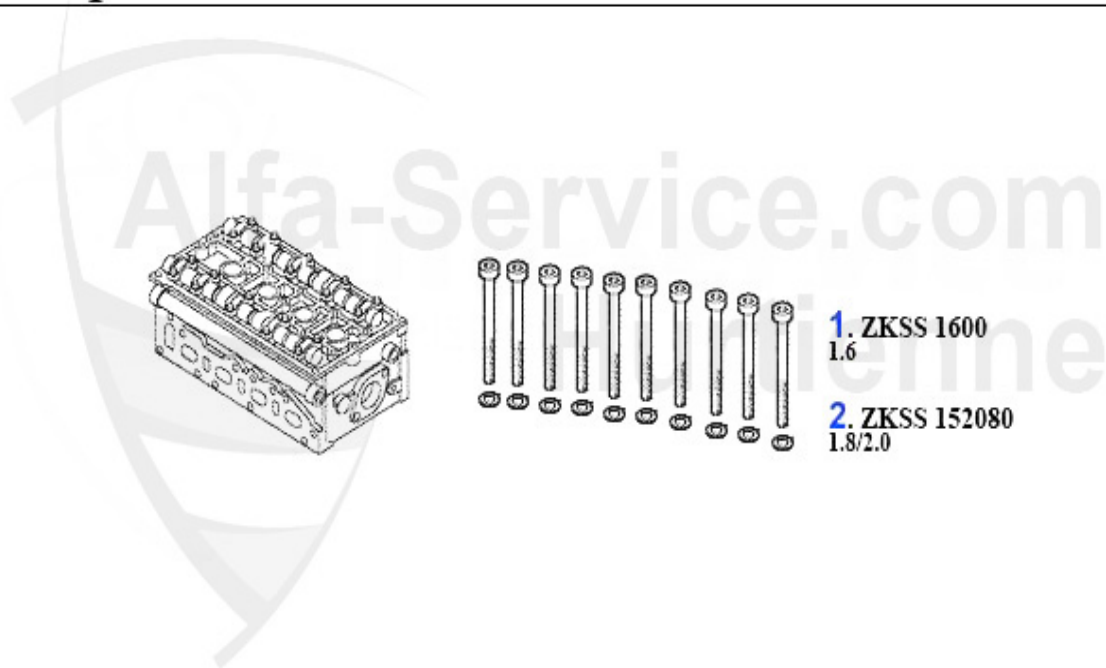
<b>1</b>	ZKDS40700 Kopfdichsatz 145/6,155,156,166 1.6-2.0 ie 16V TS Bj. >98 Alu-Ventildeckel	<b>108.74 EUR</b>
<b>2</b>	ZKDS61700 OE. 71713631 HEADSET	<b>132.34 EUR</b>
<b>3</b>	ZKDS60800 HEAD GASKET SET 145/6,156,GTV/SPIDER (916) 2.0 16V TS 97-01 PLASTIC VALVE COVER	<b>111.82 EUR</b>
<b>4</b>	ZKDS5740 OE. 71717685 HEAD SET 147,156,Nuovo GT 1.8/2.0 TS CF3	<b>165.01 EUR</b>
<b>5</b>	ZKDS90500 HEAD GASKET SET 166 2.0 TS CF3 110 KW #2557365 >	<b>132.34 EUR</b>
<b>6</b>	OED003 Öleinfülldeckel z.schrauben TS Motoren 145/147/155/156/ 166/916 GTV+Spider/Nuovo GT	<b>45.01 EUR</b>

## Motordichtsatz/Full Set 156 TS 16V



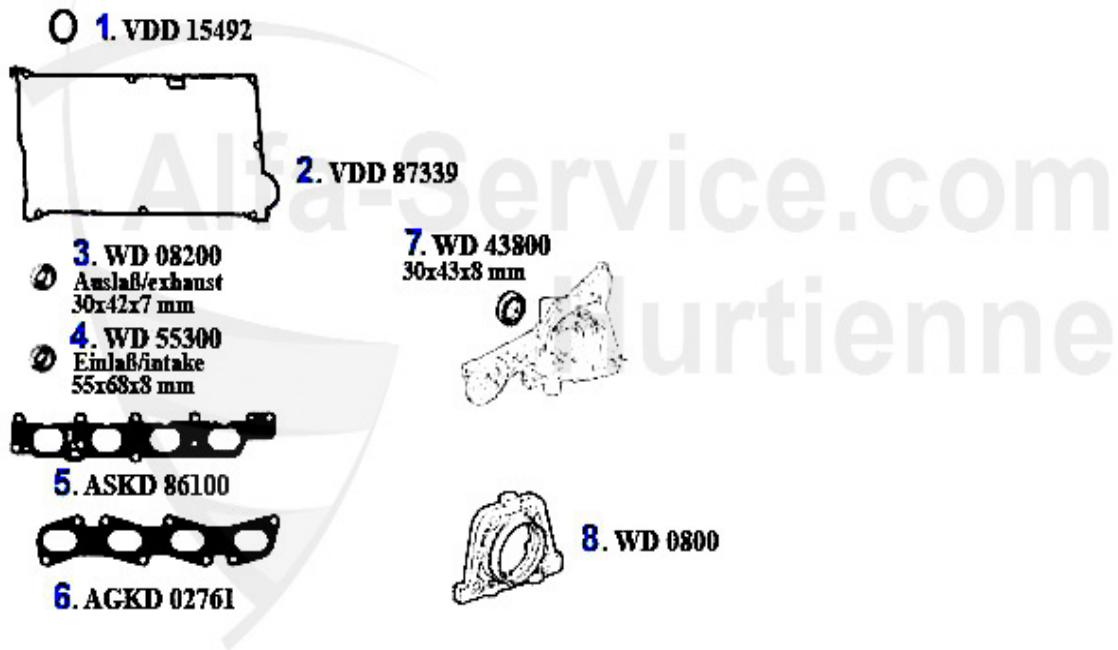
1	MDS54200	ENGINE GASKET SET 145/6,55,156,166 1.6- 1.8 TS 16V >98 ALUMINIUM VALVE COVER	155.00 EUR
2	MDS74900	Motordichtsatz 145/6,156,gtv/spider (916) 1.6 - 1.8 16V TS Bj. 97> Kunststoff-Ventildeckel	155.00 EUR
3	MDS74000	ENGINE GASKET SET 145/6,156,GTV/SPIDER (916) 2.0 16V TS,	159.00 EUR
4	MDS3100	ENGINE GASKET SET 166 2.0 TS CF3 110 KW > #2557364	229.00 EUR
5	MDS6600	ENGINE GASKET SET 166 2.0 TS CF3 110 KW #2557365 >	163.11 EUR
6	OED003	Öleinfülldeckel z.schrauben TS Motoren 145/147/155/156/ 166/916 GTV+Spider/Nuovo GT	45.01 EUR

## Kopfschraubensatz/Head Srew Set 156 TS 16V



<b>1</b>	<b>ZKSS1600</b>	<b>HEAD SCREW SET 145/6,1.4/1.6 TS 16V YEAR 96-01,147 1.6 TS 16V 76/88 KW, 156 1.6 TS 16V</b>	<b>51.35 EUR</b>
<b>2</b>	<b>ZKSS152080</b>	<b>HEAD SCREW SET 145/6,147,155,156,166, GTV/SPIDER(916),NOUVO GT TS 16V</b>	<b>69.00 EUR</b>

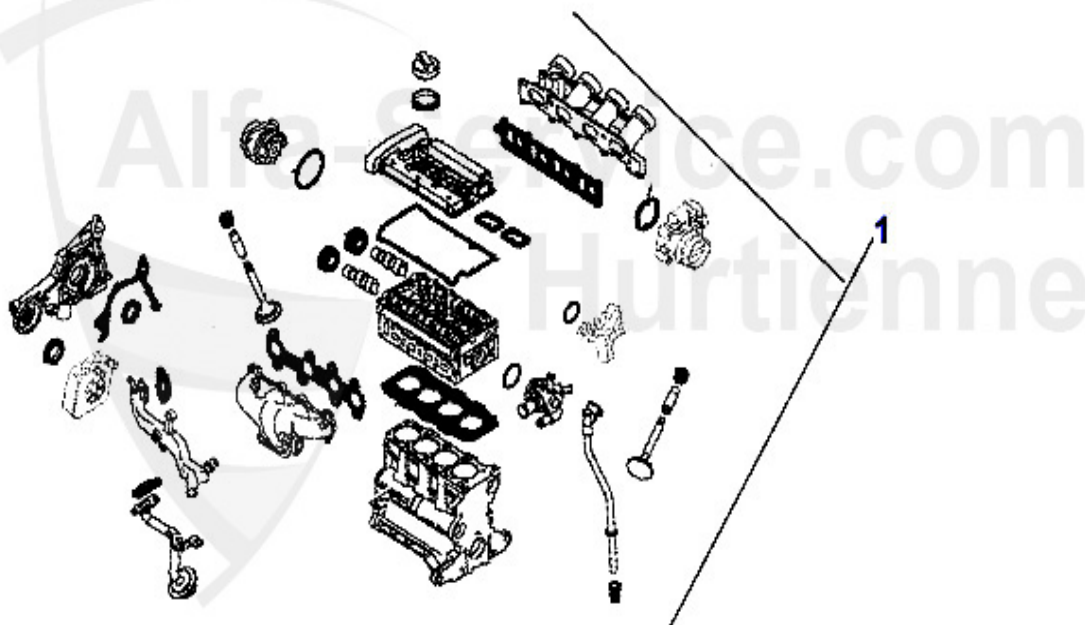
## Dichtungen Motor/Gaskets Engine 156 2.0 JTS



1	VDD15492	Kerzenschachtdichtung TS 16V	3.69 EUR
2	VDD87339	VALVE COVER SEAL 2.0 JTS 156,GTV/SPIDER (916),NUOVO GT INCL. 4 GASKET RINGS	35.00 EUR
3	WD08200	CAMSHAFT 145/6,155,156,GTV/SPIDER (916), 166 VARIOUS 96-01	15.51 EUR
4	WD55300	CAMSHAFT OIL SEAL 145/6,155,156 1.6,1.7, 1.8,2.0 16V TS	17.90 EUR
5	ASKD86100	Ansaugkrümmerdichtung 156,gtv / spider (916), Nuovo GT 2.0 JTS	57.49 EUR
6	AGKD02761	EXHAUST MANIFOLD GASKET 145/6,147,155, 156,166,GTV/SPIDER (916) TS/JTS 16 V STARTING FROM YEAR 1998	24.00 EUR
7	WD43800	Siri Kurbelwelle vorne (Riemensch.) 145/6 1.9 TD Bj. 94-99,147 2.0 TS 155 1.9 TD Bj. 93-97,155 2.0 TS 16V 2.0 16V Turbo	9.75 EUR
8	WD0800	OIL SEAL CRANKSHAFT REAR (FLYWHEEL) 147 1.6 TS 16V/1.9 JTD 03>, 156 1.9/2.4 JTD 00>	47.50 EUR

## Kopfdichtsatz/Head Set 156 2.0 JTS

---



---

1 ZKDS11600 HEAD GASKET SET 156,GTV/SPIDER (916) NUOVO GT 2.0 JTS

169.00 EUR



## Dichtungen Motor/Gaskets Engine 156 V6 24V/GTA



**1. VDD 24400**  
Ventildeckeldichtsatz/  
Valve Cover Gasket Set  
Rechts/right



**2. VDD 24500**  
Ventildeckeldichtsatz/  
Valve Cover Gasket Set  
Links/left



**3. WD 10800**  
32x47x10 mm



**4. ASKD 13869**



**5. ASKD 13868**



**6. AGKD 17600**



**7. WD 62800**  
48x65x8 mm

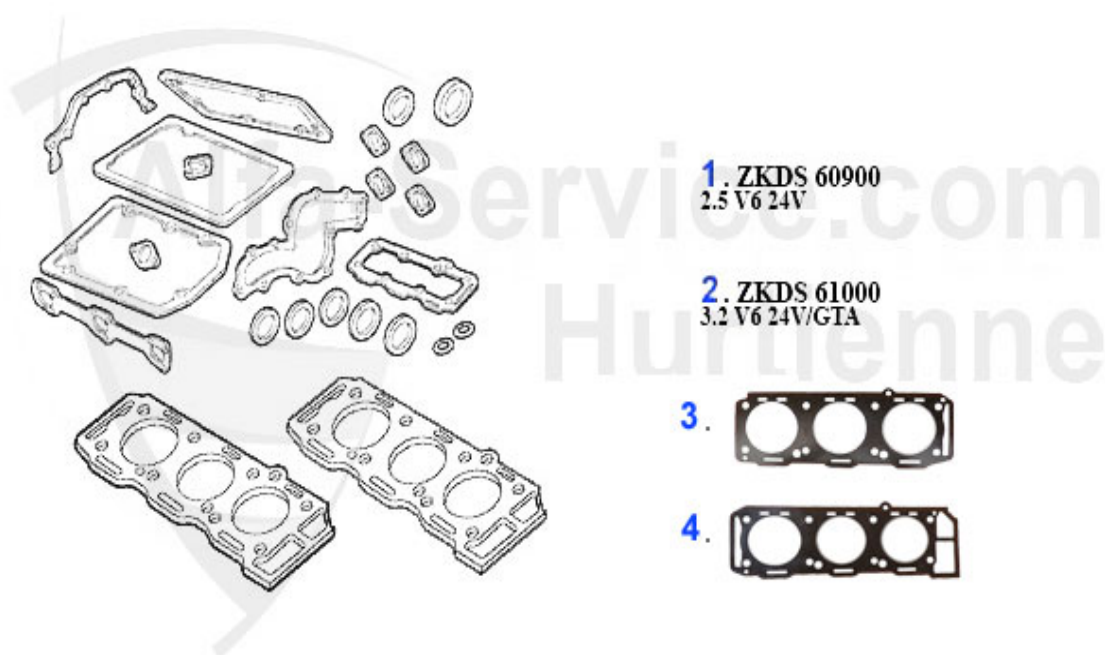


**8. 02 060 3 0**  
84x105x12 mm

Alfa-Service.com  
Hurtienne

<b>1</b>	<b>VDD24400</b> RIGHT CAM COVER GASKET 147,156,166,166, GTV/SPIDER (916),NUOVO GT V6 24V	<b>39.00 EUR</b>
<b>2</b>	<b>VDD24500</b> LEFT CAM COVER GASKET 147,156,166, GTV/SPIDER (916),NUOVO GT V6 24V	<b>39.00 EUR</b>
<b>4</b>	<b>ASKD13869</b> Ansaugkrümmerdichtung 147,156,164/S uper,166,gtv/spider (916),Nuovo GT 6-Zylinder 24V	<b>6.70 EUR</b>
<b>5</b>	<b>ASKD13868</b> OE. 60513868 Sealing Gasket	<b>4.90 EUR</b>
<b>6</b>	<b>AGKD17600</b> Abgaskrümmerdichtung 156,164/Super, 166,gtv/spider (916),Nuovo GT V6 24V	<b>9.50 EUR</b>
<b>7</b>	<b>WD62800</b> OIL SEAL CRANKSHAFT FRONT (PULLEY) 156, 166 V6	<b>16.51 EUR</b>
<b>8</b>	<b>02 060 3 0</b> OIL SEAL CORTECO (84/105/12) CRANKSHAFT REAR for Spider 1990-93, 75, 90, 155, 164, GTV 6, 166, 156	<b>33.50 EUR</b>
<b>8</b>	<b>02 060 3 5</b> OIL SEAL (84/105/12) CRANKSHAFT REAR Spider 1990-93, 75, 90, 155, 164, GTV 6, 166, 156 FROM REINZ	<b>39.50 EUR</b>

156 > ENGINE > ENGINE GASKETS > 2.5/3.2 V6 24V/GTA > HAED SET



1	ZKDS60900 HEAD GASKET SET 156,166 2.5 V6 24V	334.90 EUR
2	ZKDS61000 HEAD GASKET SET 147,156,166,GTV/SPIDER (916),NUOVO GT V6 24V/GTA	279.00 EUR
3	ZKD7475 CYLINDER HEAD GASKET V6-24V LEFT 147,156,166,GT+SPIDER 916, REINZ	55.00 EUR
4	ZKD7290 CYLINDER HEAD GASKET RIGHT (REINZ) 147,156,166,GT+SPIDER 916, V6-24V	55.00 EUR

## Motordichtsatz/Full Set 156 V6 24V/GTA



1	MDS74100 ENGINE GASKET SET 156,166 2.5 V6 24V	258.52 EUR
2	MDS74200 OE.71713724 FULL SET 147,156,166, GTV/SPIDER(916),NOUVO GT V6 24V/GTA ENGINE GASKET SET 147,156,166,GTV/SPIDER (916),NUOVO GT V6 24V/GTA	399.00 EUR

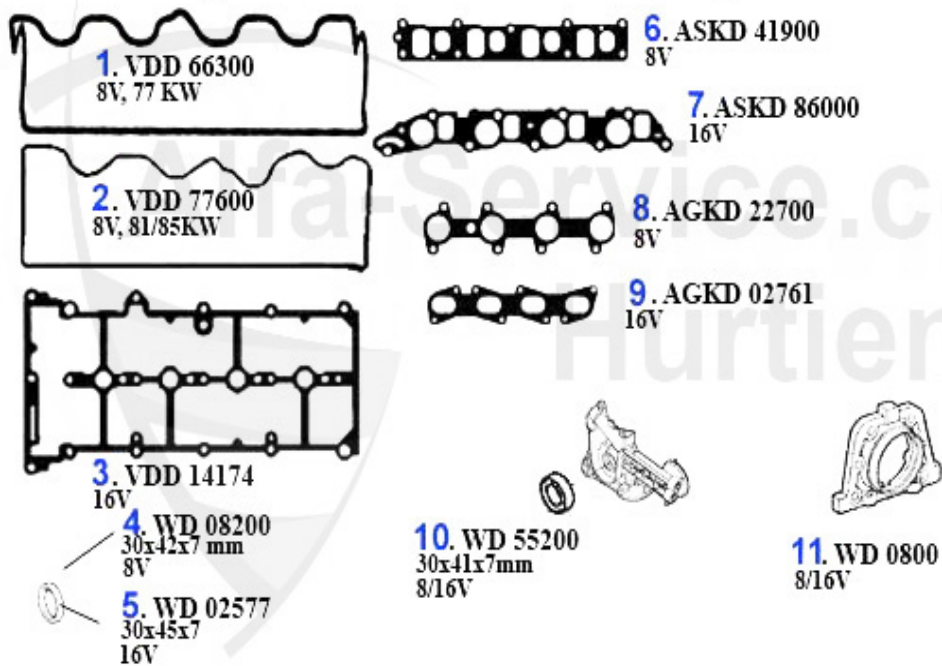
## Kopfschraubensatz/Head Srew Set 156 V6 24V/GTA



1 ZKSS8200 STUD-SET CYLINDER HEAD # 605 13 756 8 Pcs.

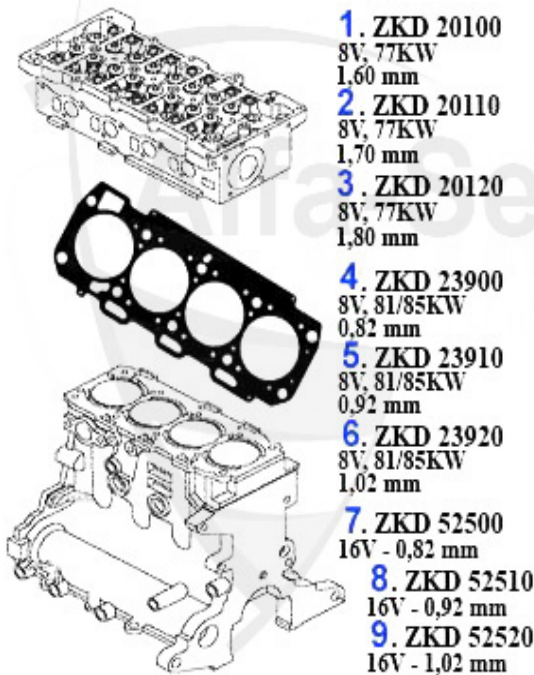
115.00 EUR

## Dichtungen Motor/Gaskets Engine 156 1.9 JTD



1	VDD66300	Ventildeckeldichtung 145/6,156 1.9 JTD CF2 Bj. 97-01 74KW	11.19 EUR
2	VDD77600	Ventildeckeldichtung 147,156 1.9 JT D 8V 81/85 KW	13.23 EUR
3	VDD14174	Ventildeckeldichtung 147,156,Nuovo GT 1.9 JTD 16V	21.03 EUR
4	WD08200	CAMSHAFT 145/6,155,156,GTV/SPIDER (916), 166 VARIOUS 96-01	15.51 EUR
5	WD02577	CRANKSHAFT OIL SEAL 147,156,166,NUOVO GT 1.9/2.4 JTD 16V/20V	5.90 EUR
6	ASKD41900	Ansaugkr	23.05 EUR
7	ASKD86000	Ansaugkr	20.99 EUR
8	AGKD22700	Abgaskr	19.99 EUR
9	AGKD02761	EXHAUST MANIFOLD GASKET 145/6,147,155, 156,166,GTV/SPIDER (916) TS/JTS 16 V STARTING FROM YEAR 1998	24.00 EUR
10	WD55200	OE.7628850 oil seal crankshaft front	10.31 EUR
11	WD0800	OIL SEAL CRANKSHAFT REAR (FLYWHEEL) 147 1.6 TS 16V/1.9 JTD 03>, 156 1.9/2.4 JTD 00>	47.50 EUR

# Kopfdichtung/Head Gasket 156 1.9 JTD



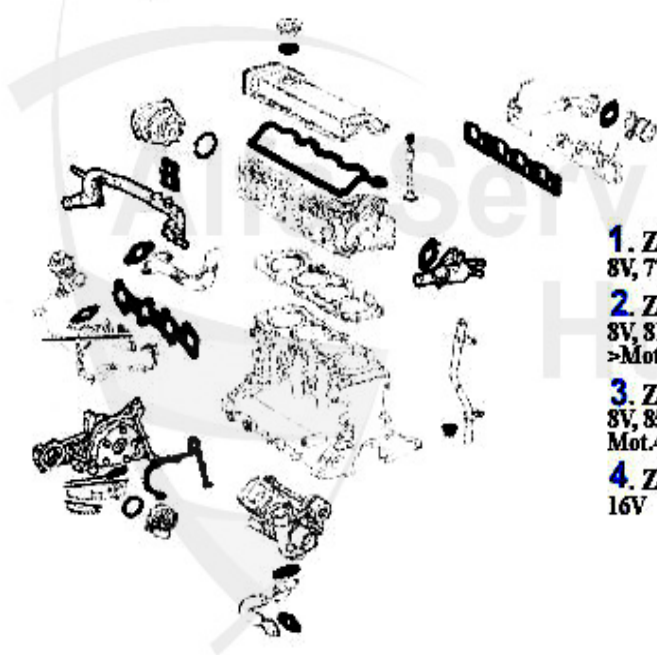
- 1. ZKD 20100**  
8V, 77KW  
1,60 mm
- 2. ZKD 20110**  
8V, 77KW  
1,70 mm
- 3. ZKD 20120**  
8V, 77KW  
1,80 mm
- 4. ZKD 23900**  
8V, 81/85KW  
0,82 mm
- 5. ZKD 23910**  
8V, 81/85KW  
0,92 mm
- 6. ZKD 23920**  
8V, 81/85KW  
1,02 mm
- 7. ZKD 52500**  
16V - 0,82 mm
- 8. ZKD 52510**  
16V - 0,92 mm
- 9. ZKD 52520**  
16V - 1,02 mm

## Achtung/Attention:

Beim Bestellen der Kopfdichtung bitte auf die entsprechende Markierung achten!  
Before you order the headgasket, please note the marking!

<b>1</b>	<b>ZKD20100</b>	<b>Kopfdichtung 145/6,156 1.9 JTD Bj. 97-01 1.60 mm 0 kerbe</b>	<b>90.70 EUR</b>
<b>2</b>	<b>ZKD20110</b>	<b>Kopfdichtung 145/6,156 1.9 JTD Bj. 97-01 Dicke: 1.70 mm 1 Kerbe</b>	<b>52.32 EUR</b>
<b>3</b>	<b>ZKD20120</b>	<b>Kopfdichtung 145/6,156 1.9 JTD Bj. 97-01 dicke: 1.80 mm 2 Kerben</b>	<b>52.32 EUR</b>
<b>4</b>	<b>ZKD23900</b>	<b>Kopfdichtung 147,156 1.9 JTD 8V 81/ 85KW ACHTUNG: auf Markierung achten 0 Kerben</b>	<b>40.01 EUR</b>
<b>5</b>	<b>ZKD23910</b>	<b>Kopfdichtung 147,156 1.9 JTD 8V 81/ 85KW ACHTUNG: auf Markierung achten 1 Kerbe</b>	<b>43.09 EUR</b>
<b>6</b>	<b>ZKD23920</b>	<b>Kopfdichtung 147,156 1.9 JTD 8V 81/ 85KW ACHTUNG: auf Markierung achten 2 Kerben</b>	<b>45.14 EUR</b>
<b>7</b>	<b>ZKD52500</b>	<b>Kopfdichtung 147,156,Nuovo GT 1.9 JTD 16V ACHTUNG: auf Markierung achten 0Kerben</b>	<b>62.00 EUR</b>
<b>8</b>	<b>ZKD52510</b>	<b>Kopfdichtung 147,156,Nuovo GT 1.9 JTD 16V ACHTUNG: auf Markierung achten 1Kerbe</b>	<b>60.52 EUR</b>
<b>9</b>	<b>ZKD52520</b>	<b>Kopfdichtung 147,156,Nuovo GT 1.9 JTD 16V ACHTUNG: auf Markierung achten 2Kerben</b>	<b>64.12 EUR</b>

## Kopfdichtsatz/Head Set 156 1.9 JTD



### **Achtung/Attention:**

Ohne Kopfdichtung, Kopfdichtung bitte separat bestellen!

Without Headgasket, please order it separatel

**1. ZKDS 10400**  
8V, 77 KW

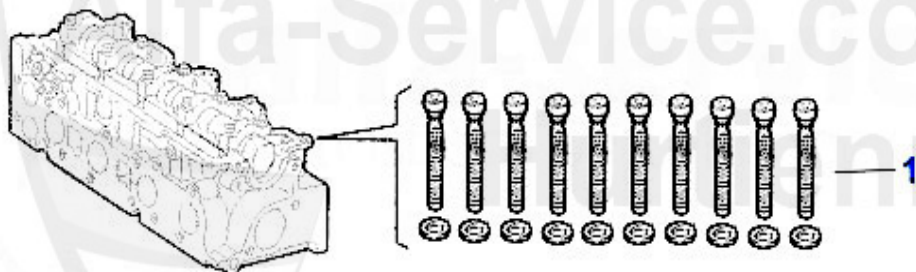
**2. ZKDS 1200**  
8V, 81/85KW  
>Mot.4081111

**3. ZKDS 9971**  
8V, 85KW  
Mot.4081112>

**4. ZKDS 16700**  
16V

<b>1</b>	ZKDS10400 HEAD GASKET SET 145/6,156 1.9 JTD 97-01 WITHOUT HEAD GASKET	<b>60.52 EUR</b>
<b>2</b>	ZKDS1200 Kopfdichtsatz (ohne ZKD) 147,156 1,9 JTD 8V 81/85 KW >Mot.# 4081111	<b>70.78 EUR</b>
<b>3</b>	ZKDS9971 Kopfdichtsatz (ohne ZKD) 147,156 1.9 JTD 8V 81/85KW Mot.# 4081111>	<b>***</b>
<b>4</b>	ZKDS16700 HEAD GASKET SET (WITHOUT HEAD GASKET) 147,156,NUOVO GT 1.9 JTD 16V	<b>122.08 EUR</b>

## Kopfschraubensatz/Head Srew Set 156 1.9 JTD

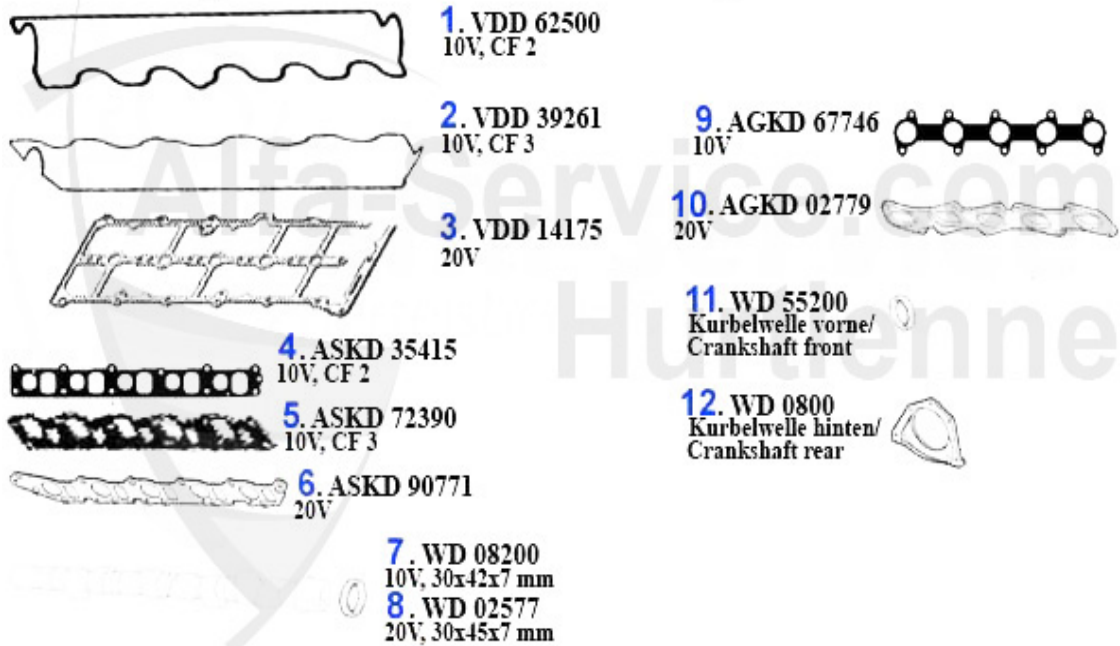


1 ZKSS0300 HEAD SCREW SET 145/6,147,156 1.9 JTD 8V 74/85 KW

49.00 EUR

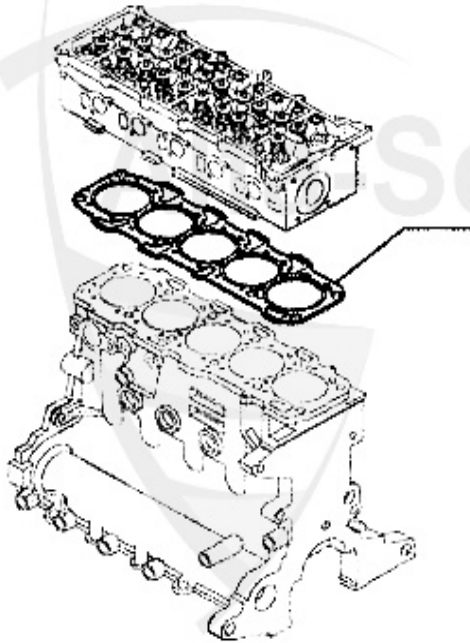


## Dichtungen Motor/Gaskets Engine 156 2.4 JTD



1	VDD62500 Ventildeckeldichtung 156,166 2.4 JTD CF 2 Bj. 09.97-10.00	14.26 EUR
2	VDD39261 OE. 46739261/60816566 Gasket	17.34 EUR
3	VDD14175 OE. 46814175 Gasket	22.05 EUR
4	ASKD35415OE. 60814987/7735415 Gasket	17.85 EUR
5	ASKD72390Ansaugkr	17.96 EUR
6	ASKD90771OE. 55190771 Gasket	35.58 EUR
7	WD08200 CAMSHAFT 145/6,155,156,GTV/SPIDER (916), 166 VARIOUS 96-01	15.51 EUR
8	WD02577 CRANKSHAFT OIL SEAL 147,156,166,NUOVO GT 1.9/2.4 JTD 16V/20V	5.90 EUR
9	AGKD67746OE. 60813631/46414437/46467746 Gasket	12.83 EUR
10	AGKD02779OE. 73502779 Gasket	16.62 EUR
11	WD55200 OE.7628850 oil seal crankshaft front	10.31 EUR
12	WD0800 OIL SEAL CRANKSHAFT REAR (FLYWHEEL) 147 1.6 TS 16V/1.9 JTD 03>, 156 1.9/2.4 JTD 00>	47.50 EUR

# Kopfdichtung/Headgasket 156 2.4 JTD



## Achtung/Attention:

Beim Bestellen der Kopfdichtung bitte auf die entsprechende Markierung achten!  
Before you order the headgasket, please note the marking!

**1. ZKD 20200**  
10V, CF2, 1,60 mm

**2. ZKD 20210**  
10V, CF2, 1,70 mm

**3. ZKD 20210**  
10V, CF2, 1,80 mm

**4. ZKD 37200**  
10V, CF3, 0,82 mm

**5. ZKD 37210**  
10V, CF3, 0,92 mm

**6. ZKD 37220**  
10V, CF3, 1,02 mm

**7. ZKD 90353**  
20V, 0,82 mm

**8. ZKD 90354**  
20V, 0,92 mm

**9. ZKD 90355**  
20V, 1,02 mm

1	ZKD20200	Kopfdichtung 156,166 2.4 JTD Bj. 97-00 Dicke: 1.60 mm 0 Kerben	91.90 EUR
2	ZKD20210	OE.60814967, HEAD GASKET 156,166 2.4 JTD 97-00, THICKNESS 1.70MM 1 JAG	91.30 EUR
3	ZKD20220	Kopfdichtung 156,166 2.4 JTD Bj. 97-00 Dicke: 1.80 mm 2 Kerben	91.30 EUR
4	ZKD37200	Kopfdichtung 156,166 2.4 JTD CF3 103/110 KW ACHTUNG: auf Markierung achten 0 Kerbe	70.78 EUR
5	ZKD37210	Kopfdichtung 156,166 2.4 JTD CF3 103/110 KW ACHTUNG: auf Markierung achten 1 Kerbe	70.78 EUR
6	ZKD37220	Kopfdichtung 156,166 2.4 JTD CF3 103/110 KW ACHTUNG: auf Markierung achten 2 Kerben	81.04 EUR
7	ZKD90353	Kopfdichtung 156,166 2.4 JTD 129 KW ACHTUNG: auf Markierung achten 0 Kerben	56.42 EUR
8	ZKD90354	HEAD GASKET 156,166 2.4 JTD 129 KW CAUTION! PLEASE CHECK MARK 1 JAG!	83.75 EUR
9	ZKD90355	HEAD GASKET 156,166 2.4 JTD 129 KW CAUTION! PLEASE CHECK MARK 2 JAGS!	86.25 EUR

## Kopfdichtsatz/Head Set 156 2.4 JTD



- 1. ZKDS 10500**  
10V, CF2
- 2. ZKDS 14300**  
10V, CF3
- 3. ZKDS 34259**  
20V

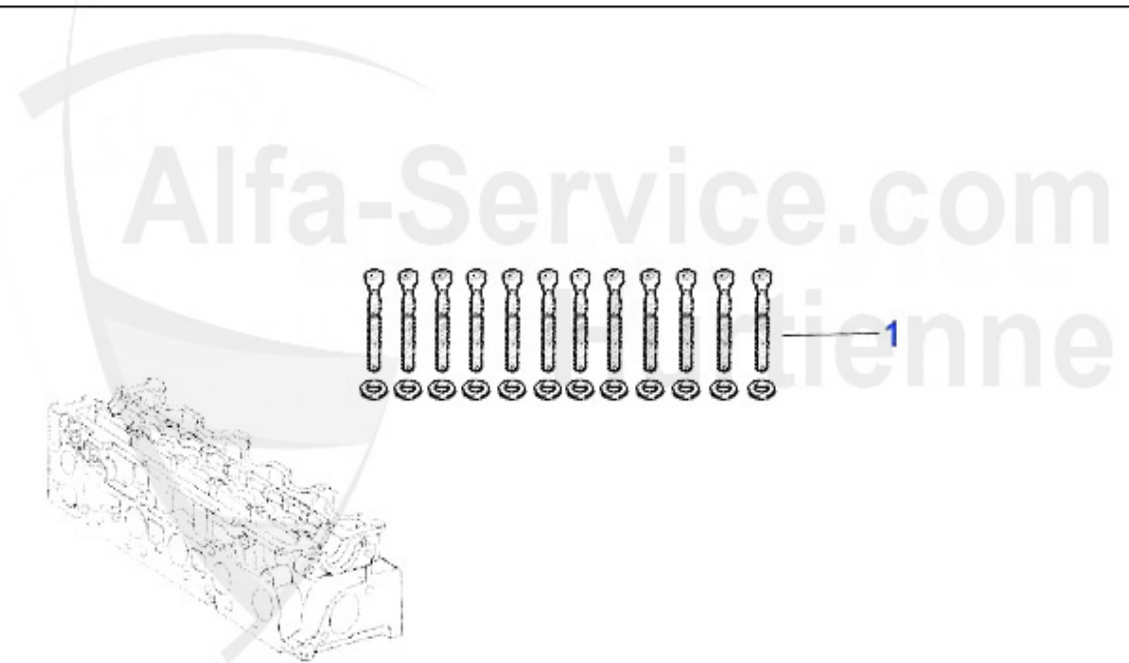
### **Achtung/Attention:**

Ohne Kopfdichtung, Kopfdichtung  
bitte separat bestellen!  
Without Headgasket, please order it  
separatel

<b>1</b>	ZKDS10500 HEAD GASKET SET 156,166 2.4 JTD 97-01 WITHOUT HEAD GASKET	<b>79.00 EUR</b>
<b>2</b>	ZKDS14300 HEAD GASKET SET (WITHOUT HEAD GASKET) 156,166 2.4 JTD CF3 103/110 KW	<b>91.30 EUR</b>
<b>3</b>	ZKDS34259 HEAD GASKET SET (WITHOUT HEAD GASKET) 156,166 2.4 JTD CF3 129 KW	<b>124.91 EUR</b>

## Kopfschraubensatz/Head Screw Set 156 2.4 JTD

---

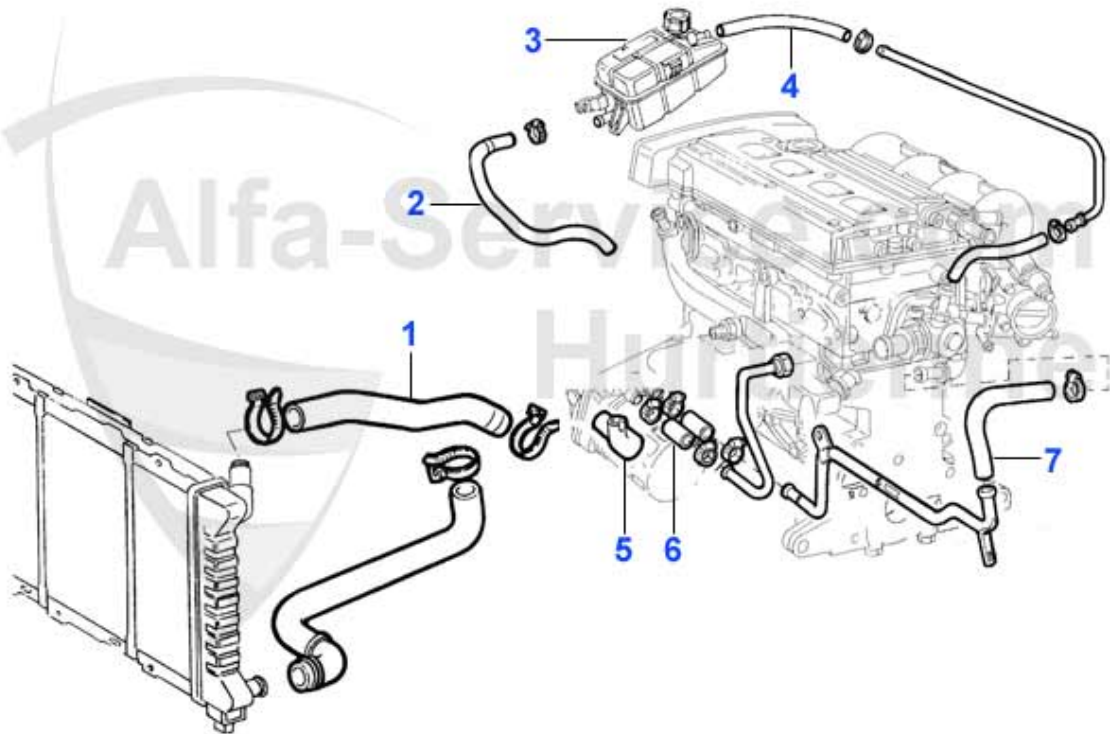


---

1 ZKSS8300 HEAD SCREW SET 156,166 2.4 JTD

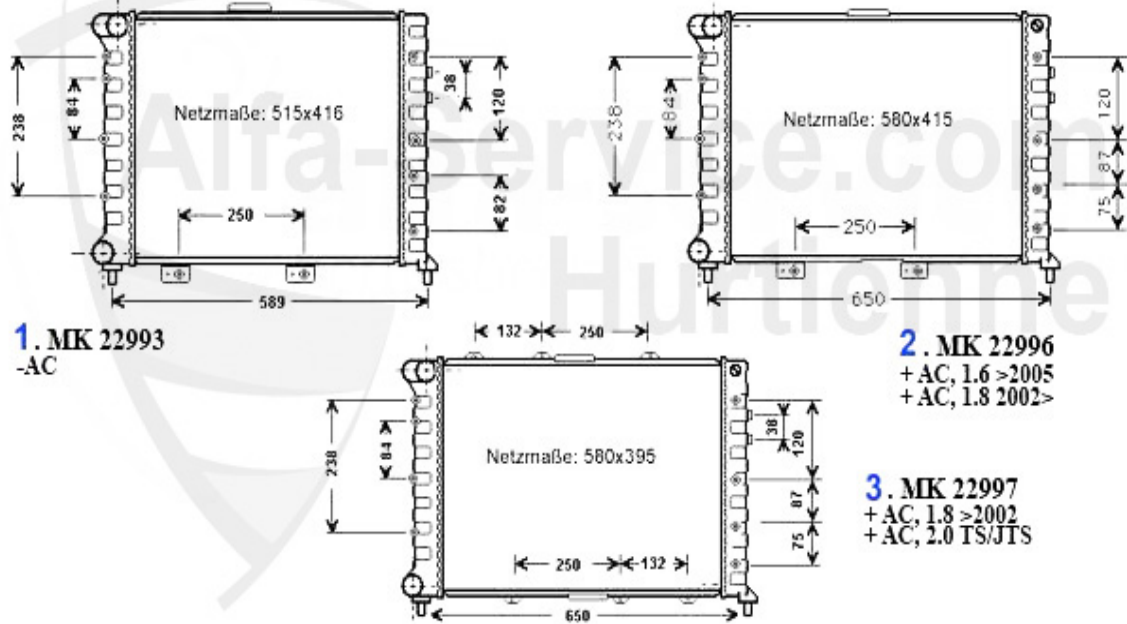
60.52 EUR

156 > ENGINE > COOLING SYSTEM > TS16V > TUBES



1	KWS24584 UPPER WATER HOSE AR 156 TS 1.6-1.8 WITH AC	24.00 EUR
1	KWS29271 UPPER WATER HOSE AR 156 TS 1.6-1.8 WITHOUT AC	***
2	KWS0080 Kühlwasserschlauch Wasser- brücke z.Ausgleichsbehälter 156 TS 1,6+1,8(CF2) 1,8 CF3	42.00 EUR
3	KWB93147 OVERFLOW CONTAINER 145,146 (97-00),156 (97-02),GT (03-10)	40.00 EUR
4	KWS0084 Schlauch Ausgleichsbehälter Verteilerrohr 1,8+2,0 TS (CF2) 145,147,155,156,166, GTV+Spider916	***
4	KWS0085 Schlauch Ausgleichsbehälter Verteilerrohr 1,8+2,0 TS (CF3) 156, GT, GTV+Spider 916,	***
5	KWS0086 Schlauch am Wärmetauscher 1,8+2,0TS (CF3) 97-02	34.00 EUR
6	KWS0083 Verbindungsstück Verteiler Rohr-Wärmetauscher 145,147, 155,156,166,GTV+Spider 916 alle TS Motoren (CF2+CF3)	***
7	KWS0081 Kühlwasserschl. Thermostat unten zum Verteilerrohr 156 1,6/1,8/2,0TS (CF2)	***

# Kühler/Radiator 156 TS



1	MK22993	RADIATOR 156 1.6/1.8/2.0 16V TS WITHOUT AC >10.00	190.29 EUR
2	MK22996	RADIATOR 156 1.6/1.8/2.0 16V TS WITH AC	240.18 EUR
3	MK22997	RADIATOR 156 TS 16V/2.5 V6 WITH AC	368.19 EUR

## Thermostat 156 TS

---



---

**1** TH650688 OE.60653946,THERMOSTAT WITH HOUSING 1.6/1.8/2.0 IE TS YEAR  
98>,THERMOSTAT 145/6,147,156,GTV(916),TS 16V

**69.00 EUR**

## Wasserpumpe/Waterpump 156 TS

1. WP 00410  
1.6/1.8 >2002  
Ø 67.8 mm

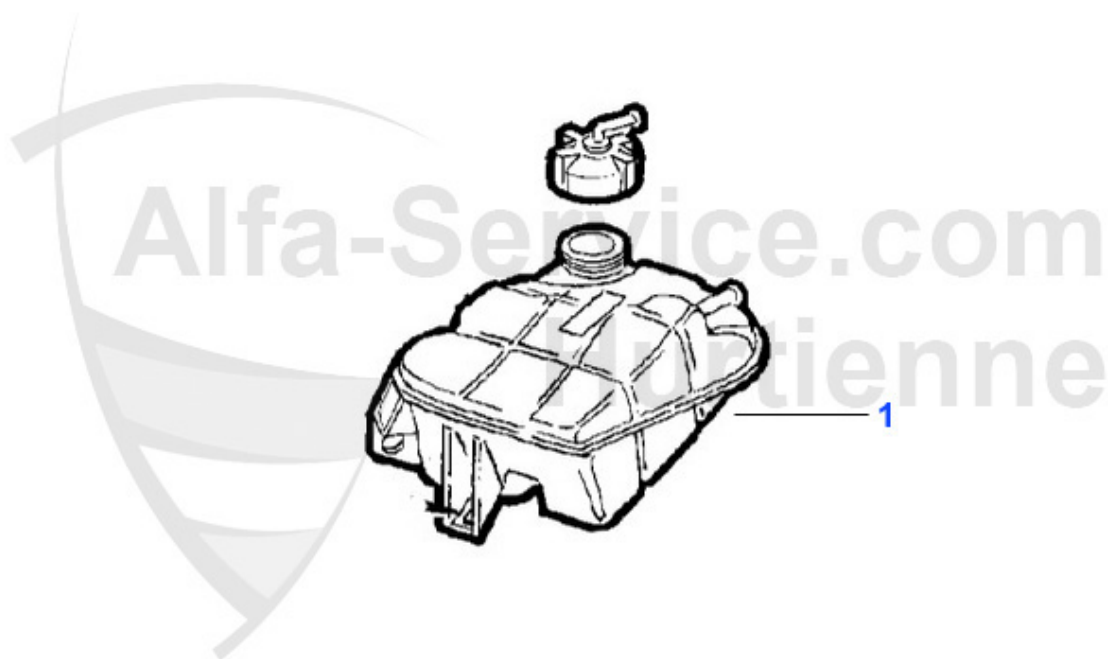


2. WP 00310  
1.6/1.8 2002>  
2.0  
Ø 70.8 mm



1	WP00410	WATER PUMP 145/6 1.6 IE 16V TS,155/6 1.6/1.8 IE 16V TS,NUOVO GT 1.8 TS	65.00 EUR
2	WP00310	OE. 60586222 WATER PUMP TS 16V	69.00 EUR

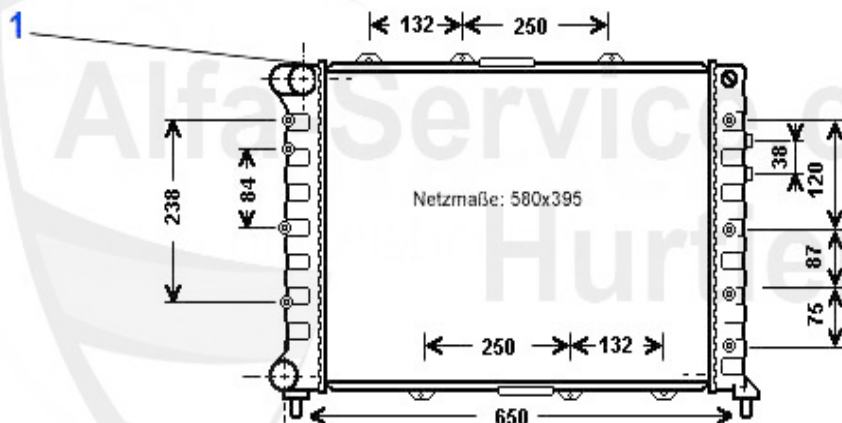




1 KWB4720 OVERFLOW CONTAINER 145/146/156 1.8-2.0 TS/1.9-2.4JTD (97-02)

39.00 EUR

# Kühler/Radiator 156 JTS



1 MK22997 RADIATOR 156 TS 16V/2.5 V6 WITH AC

368.19 EUR

## Thermostat 156 JTS

---



---

1 TH76067 OE. 60676067 THERMOSTAT 156,gtv/spider (916),Nuovo GT 2.0 JTS

56.50 EUR

## Wasserpumpe/Waterpump 156 JTS

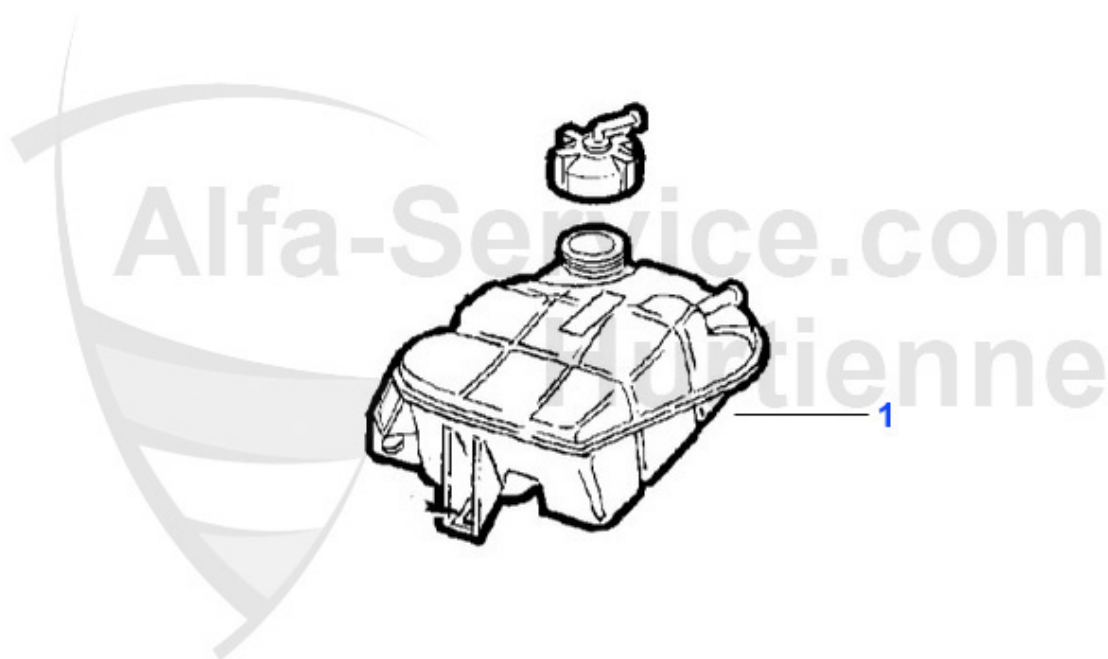
---



---

1 WP00310 OE. 60586222 WATER PUMP TS 16V

69.00 EUR



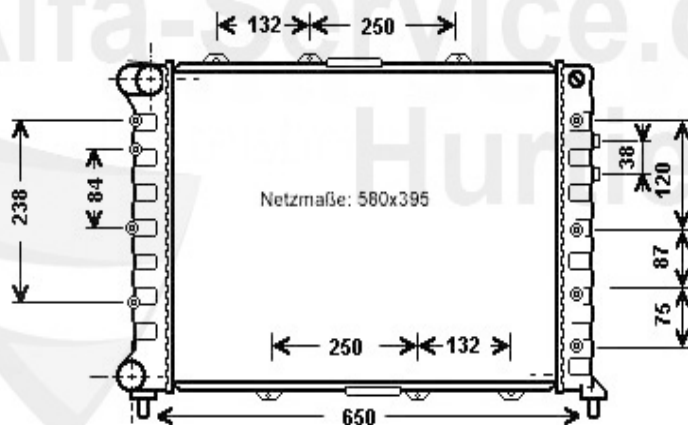
1 KWB4720 OVERFLOW CONTAINER 145/146/156 1.8-2.0 TS/1.9-2.4JTD (97-02)

39.00 EUR

# Kühler/Radiator 156 V6 24V/GTA

1. MK 22997  
2.5 V6 24V

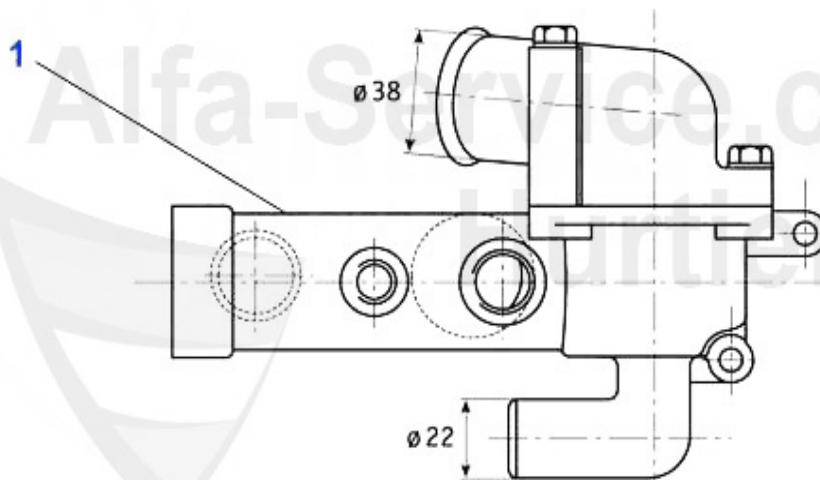
2. MK 90406  
3.2 V6 24V/GTA



1	MK22997	RADIATOR 156 TS 16V/2.5 V6 WITH AC
2	MK90406	OE. 60690406 RADIATOR 147 3.2 V6 24V/GTA

368.19 EUR
252.40 EUR

## Thermostat 156 V6 24V/GTA

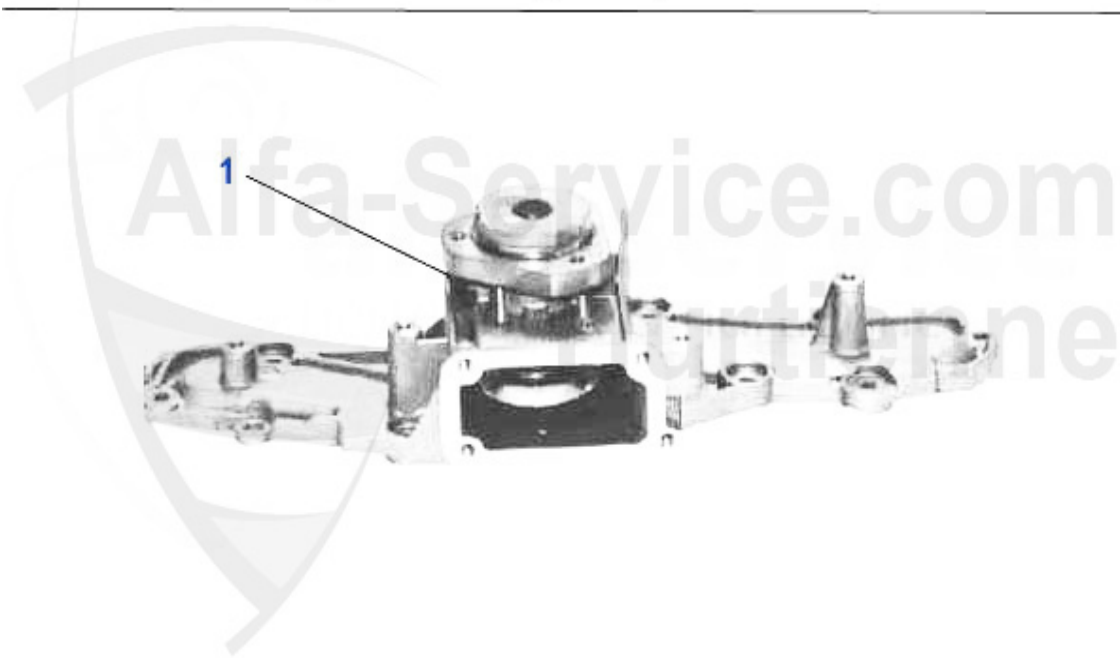


1 TH657187 THERMOSTAT 155,156,166,GTV,SPIDER (916) 6 CYL. (WITH HOUSING)

59.00 EUR

## Wasserpumpe/Waterpump 156 V6 24V/GTA

---

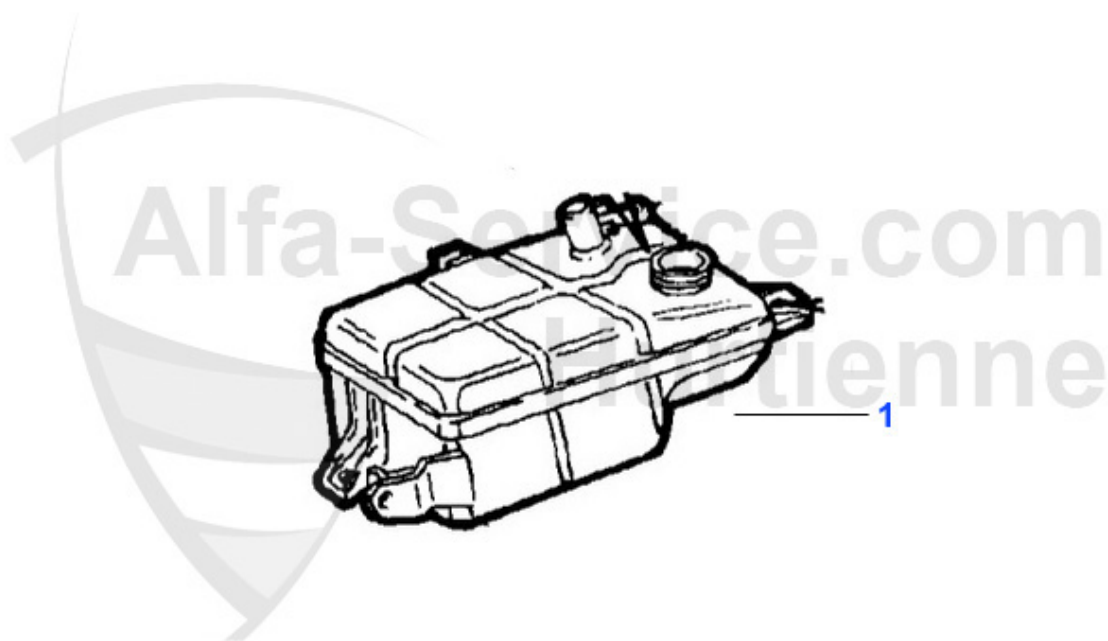


---

1 WP81355 OE. 60816018 WATER PUMP V6 24V

149.00 EUR

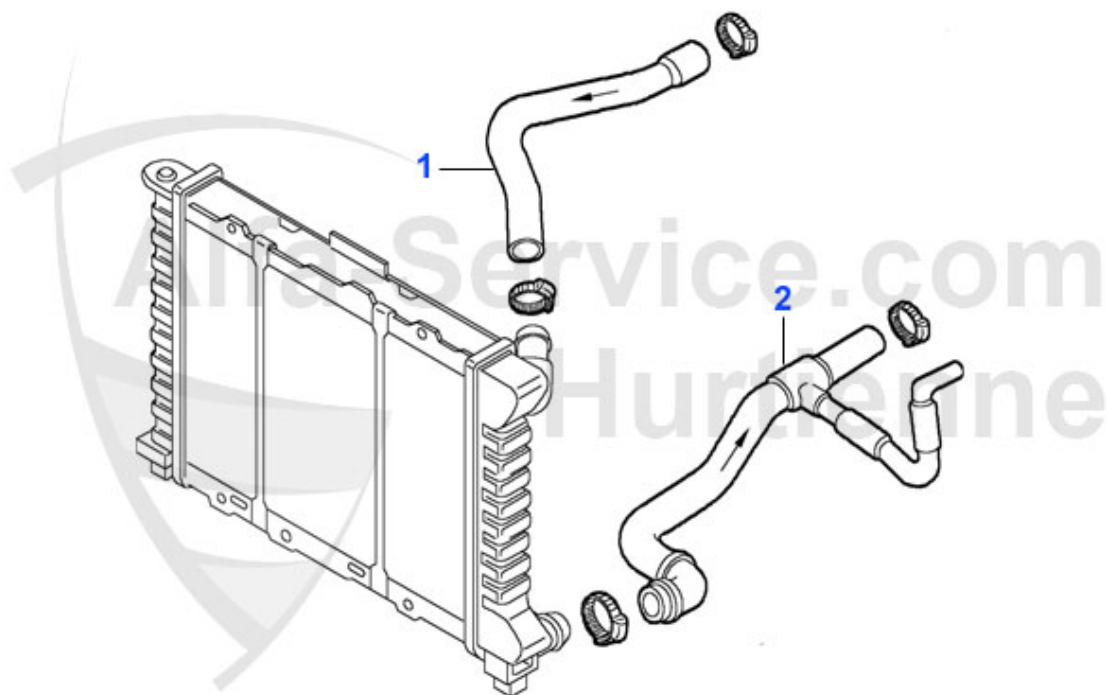




1 KWB4721 OVERFLOW CONTAINER 156 2.5 V6 24V 97-05)

66.90 EUR

156 > ENGINE > COOLING SYSTEM > 2.5/3.2 V6 24V/GTA > HOSE



1 KWS24588 OE. 60624588 RADIATOR UPPER HOSE 147, 156/SW,Nuovo GT 3.2 V6  
24V/GTA

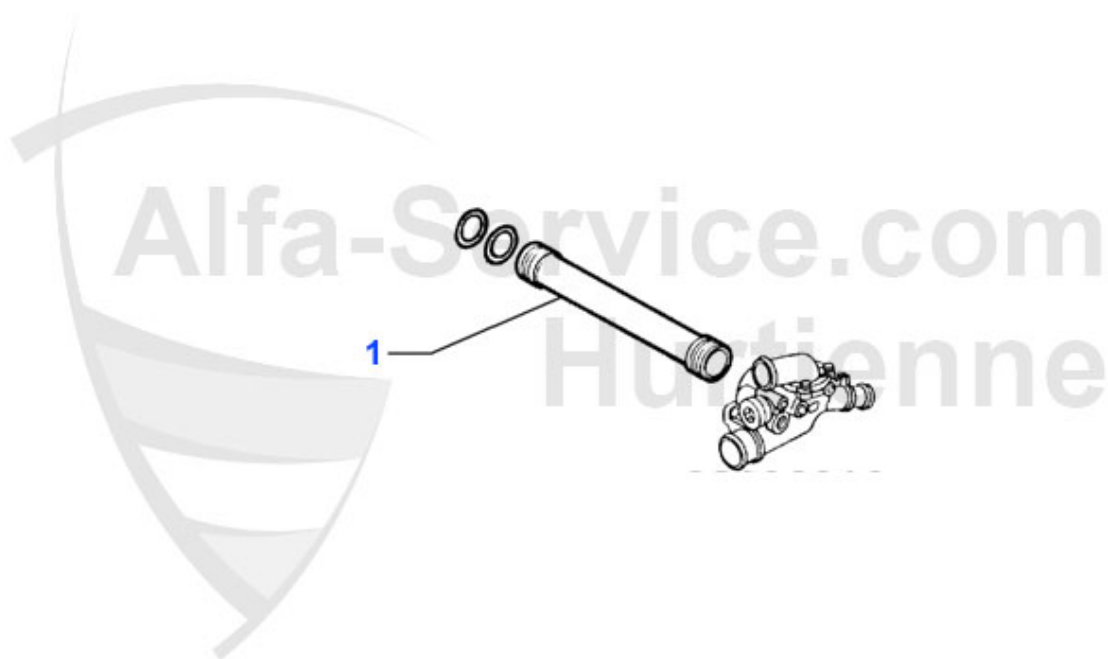
29.50 EUR

2 KWS85102 LOWER WATER HOSE 156 2.5 V6 24V (97-05)

70.00 EUR

2 KWS89794 LOWER HEATER HOSE 3.2 GTA 147/156/GT (00-10)

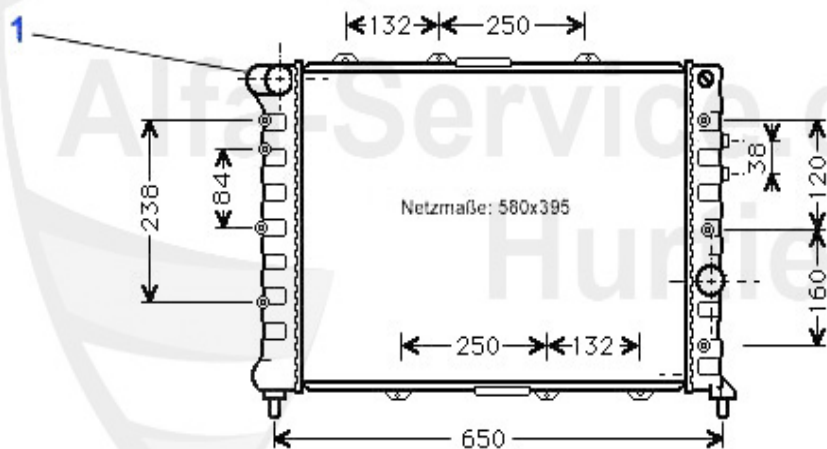
\*\*\*



- 
- 1** KWS04178 TUBE WATERPUMP-THERMOSTAT 2.5/3.0/3.2 V6 24V (95-10)  
147,156,166,GT,GTV/ SPIDER (916)

\*\*\*

# Kühler/Radiator 156 1.9 JTD 8V



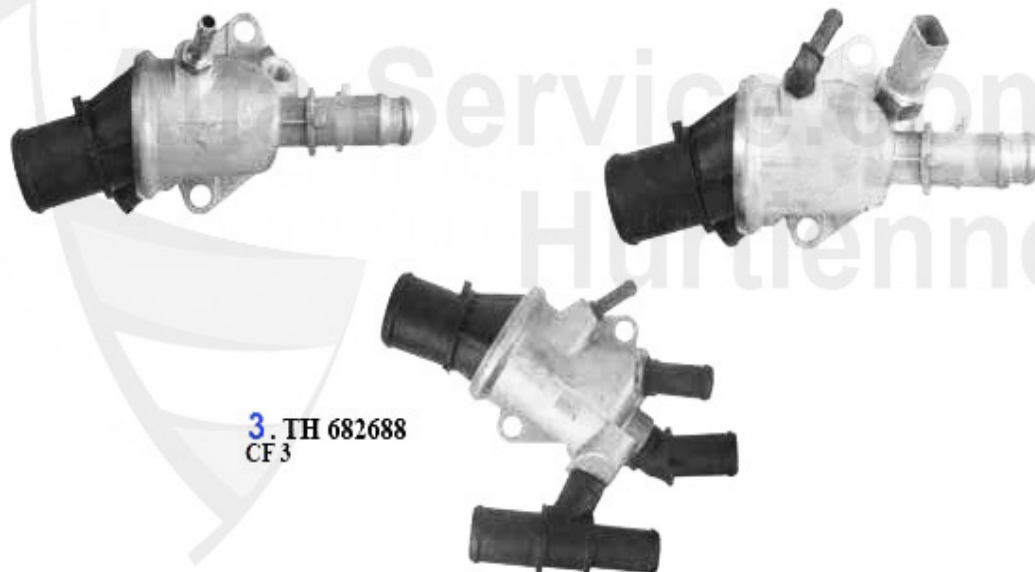
1 MK22998 RADIATOR 156 1.9/2.4 JTD

265.70 EUR

## Thermostat 156 1.9 JTD 8V

1. TH 648988  
CF 2/>Mot.1415540

2. TH 655188  
CF 2/Mot.1415541>



3. TH 682688  
CF 3

1	TH648988	Thermostat 156 1.9 JTD,Gehäusethermostat	43.85 EUR
2	TH655188	Thermostat 145/6,156,1.9 JTD Gehäusethermostat	60.00 EUR
3	TH682688	OE. 46795667 THERMOSTAT 156,166 1.9/2.4 JTD CF3	92.00 EUR

## Wasserpumpe/Waterpump 156 1.9 JTD 8V

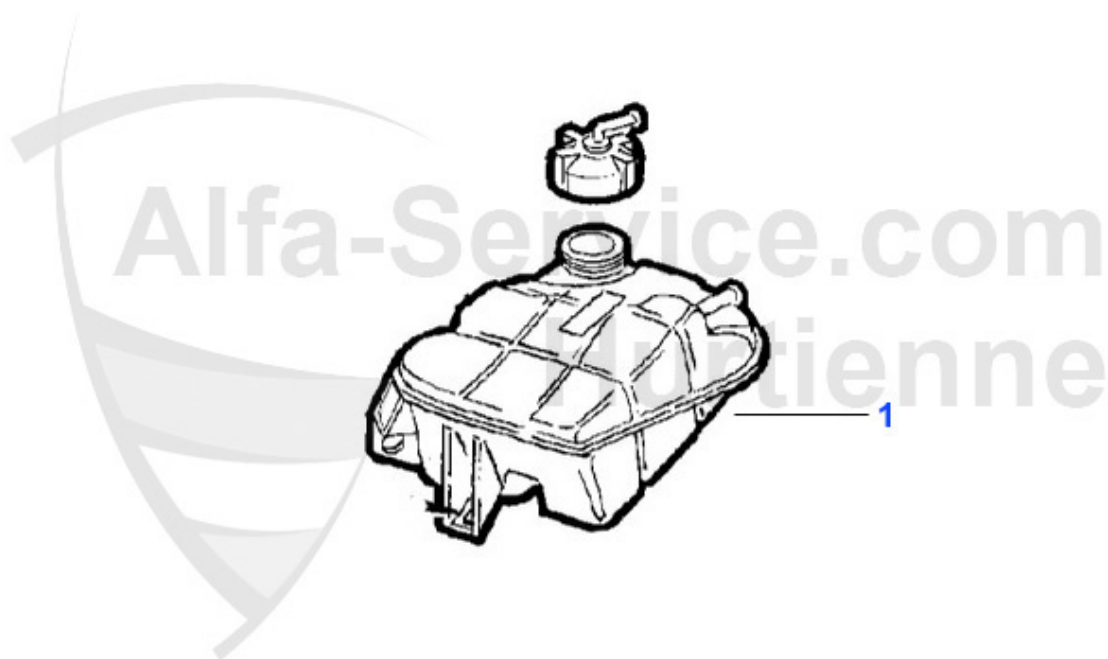
---



---

1 WP15970 OE. 46515970 WATER PUMP 1.9/2.4 8/10 V

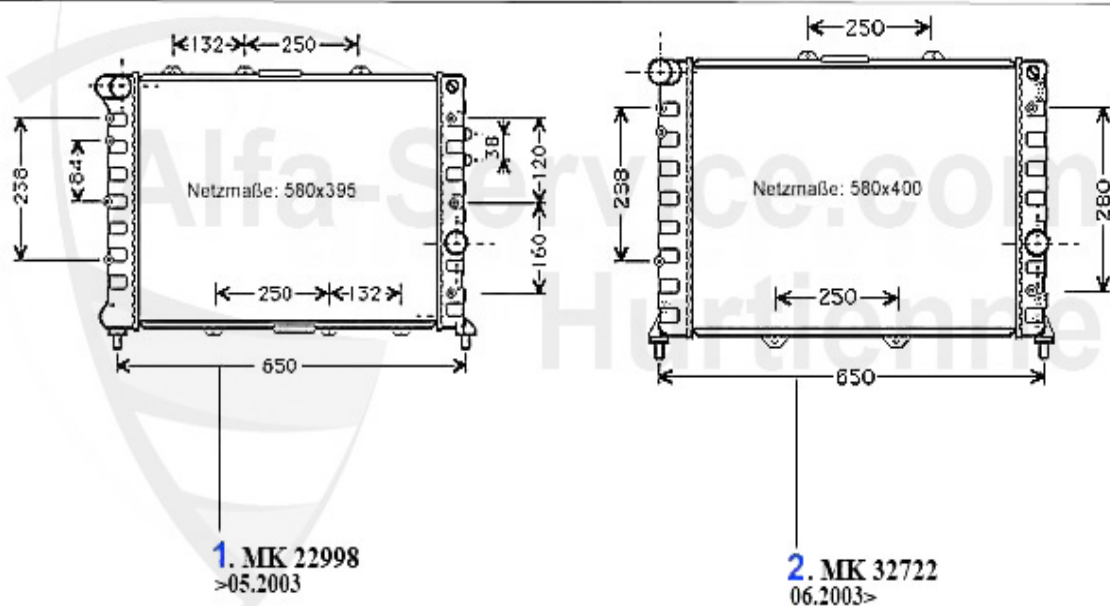
60.52 EUR



1 KWB4720 OVERFLOW CONTAINER 145/146/156 1.8-2.0 TS/1.9-2.4JTD (97-02)

39.00 EUR

# Kühler/Radiator 156 1.9 JTD 16V



1	MK22998	RADIATOR 156 1.9/2.4 JTD	265.70 EUR
2	MK32722	RADIATOR 156 1.9 16V/2.4 10/20V JTD 01> STARTING FROM # 281384	366.23 EUR



## Thermostat 156 1.9 JTD 16V

---



---

1 TH688288 OE. 55189843 THERMOSTAT 156,166 1.9/2.4 JTD 10/20V

119.00 EUR

## Wasserpumpe/Waterpump 156 1.9 JTD 16V

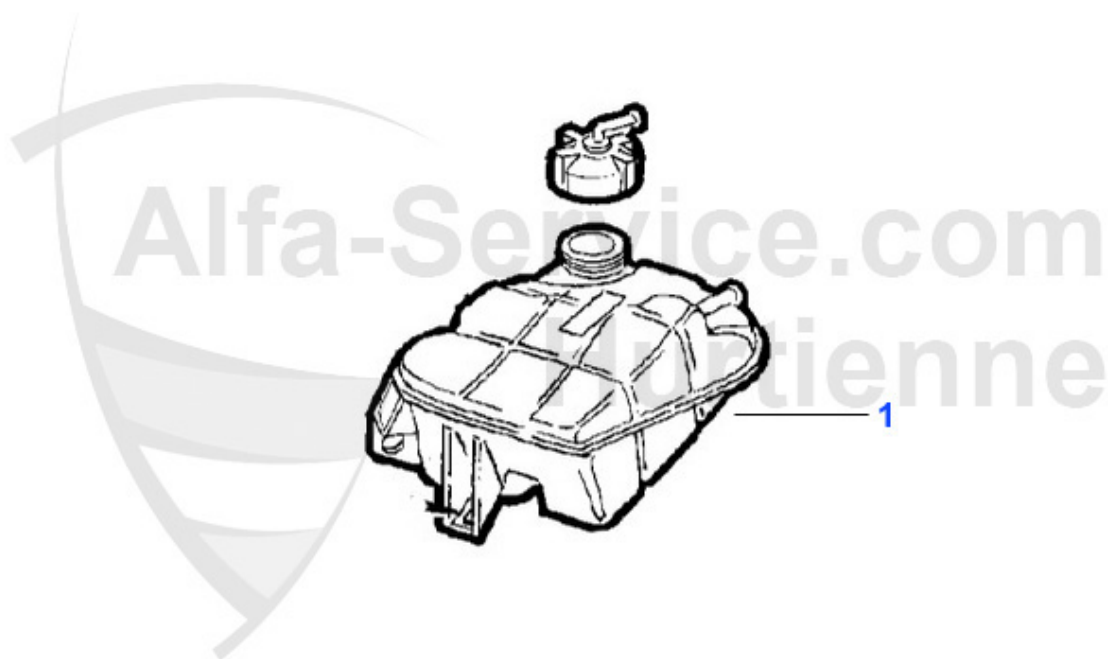
---



---

1 WP04051 OE. 46804051 WATER PUMP 1.9/2.4 16/20 V

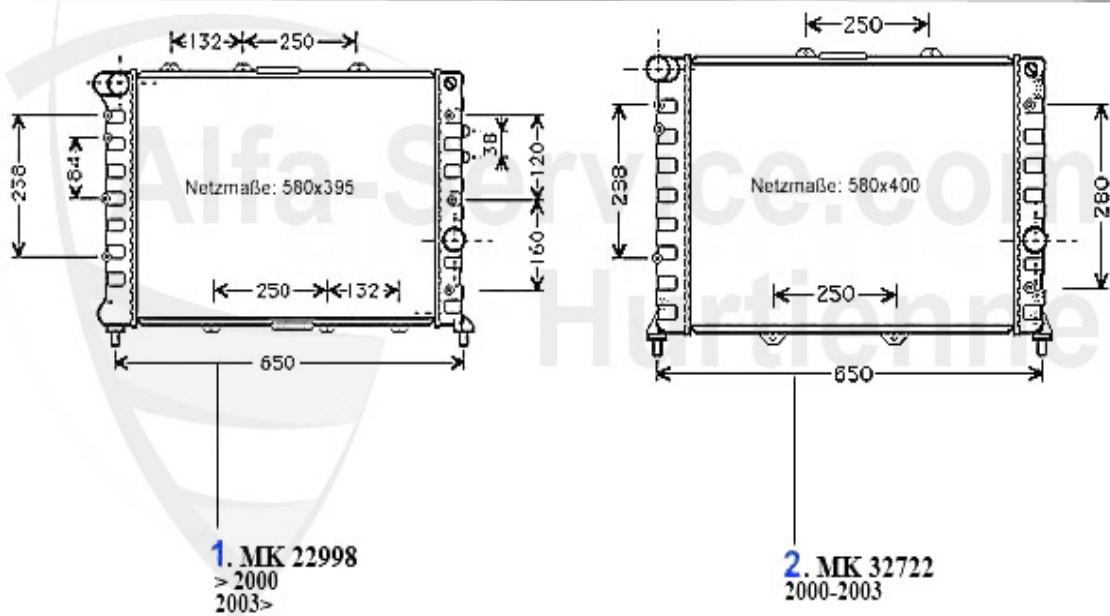
72.33 EUR



1 KWB4720 OVERFLOW CONTAINER 145/146/156 1.8-2.0 TS/1.9-2.4JTD (97-02)

39.00 EUR

# Kühler/Radiator 156 2.4 JTD 10V



<b>1</b>	<b>MK22998</b>	<b>RADIATOR 156 1.9/2.4 JTD</b>	<b>265.70 EUR</b>
<b>2</b>	<b>MK32722</b>	<b>RADIATOR 156 1.9 16V/2.4 10/20V JTD 01&gt; STARTING FROM # 281384</b>	<b>366.23 EUR</b>

## Thermostat 156 2.4 JTD 10V

1. TH 648988  
CF 2, >Mot.1283805

2. TH 655188  
CF 2, Mot.1283806>



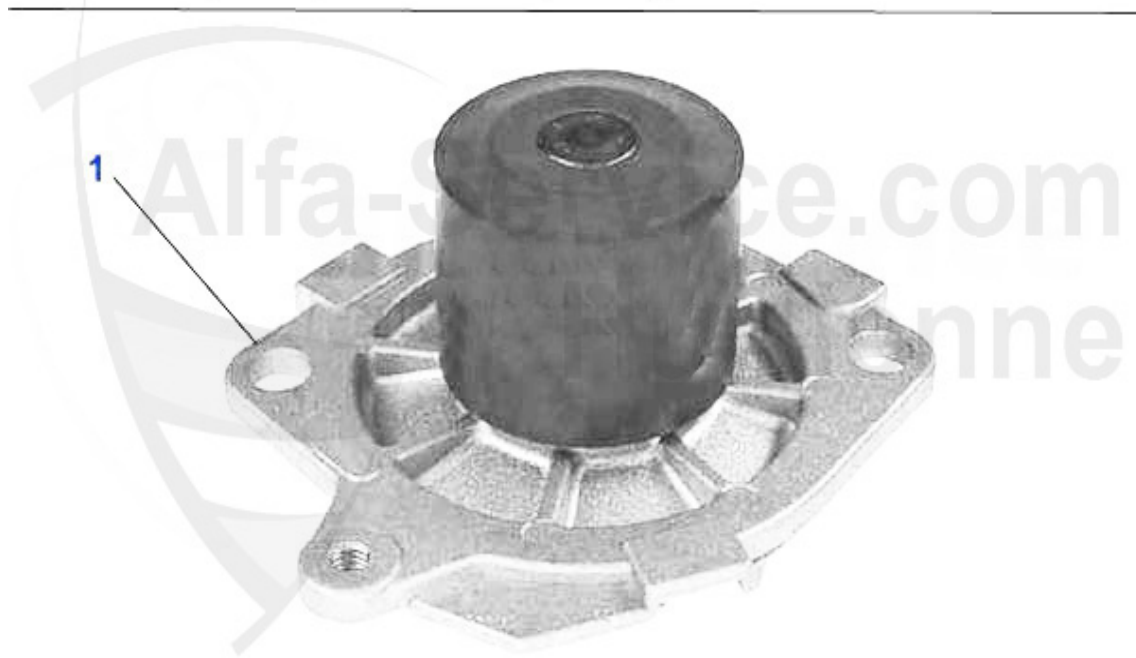
3. TH 682588  
CF 3



1	TH648988	Thermostat 156 1.9 JTD,Gehäusetherm ostat	43.85 EUR
2	TH655188	Thermostat 145/6,156,1.9 JTD Gehäusethermostat	60.00 EUR
3	TH682588	OE. 46822435 THERMOSTAT 156 2.4 JTD 10V 110 KW	124.95 EUR

## Wasserpumpe/Waterpump 156 2.4 JTD 10V

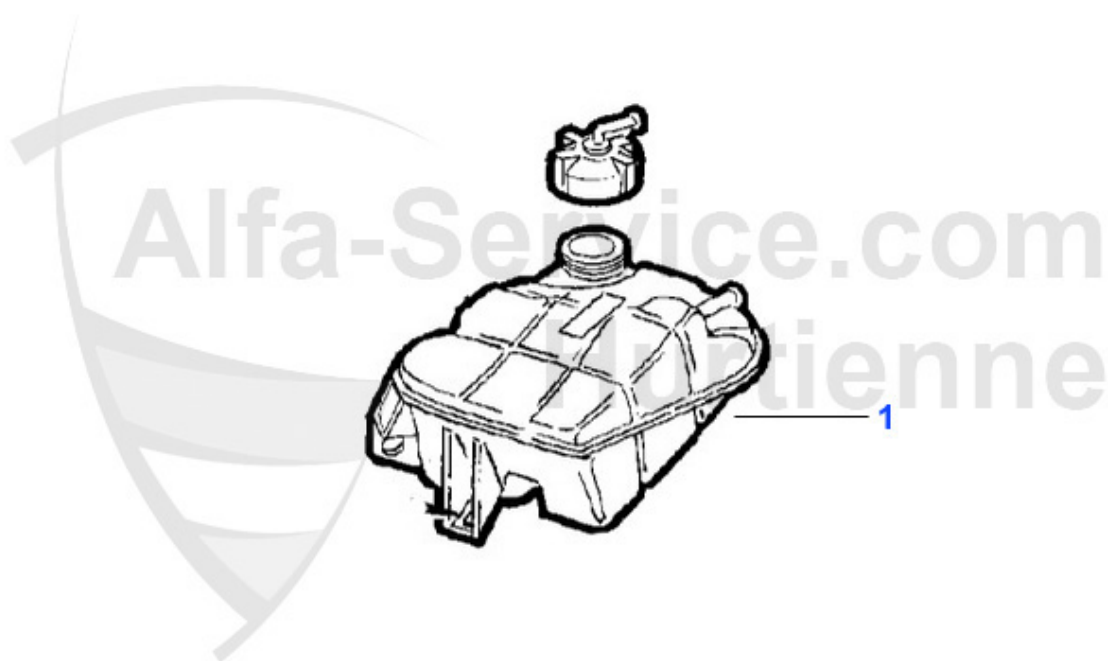
---



---

1 WP15970 OE. 46515970 WATER PUMP 1.9/2.4 8/10 V

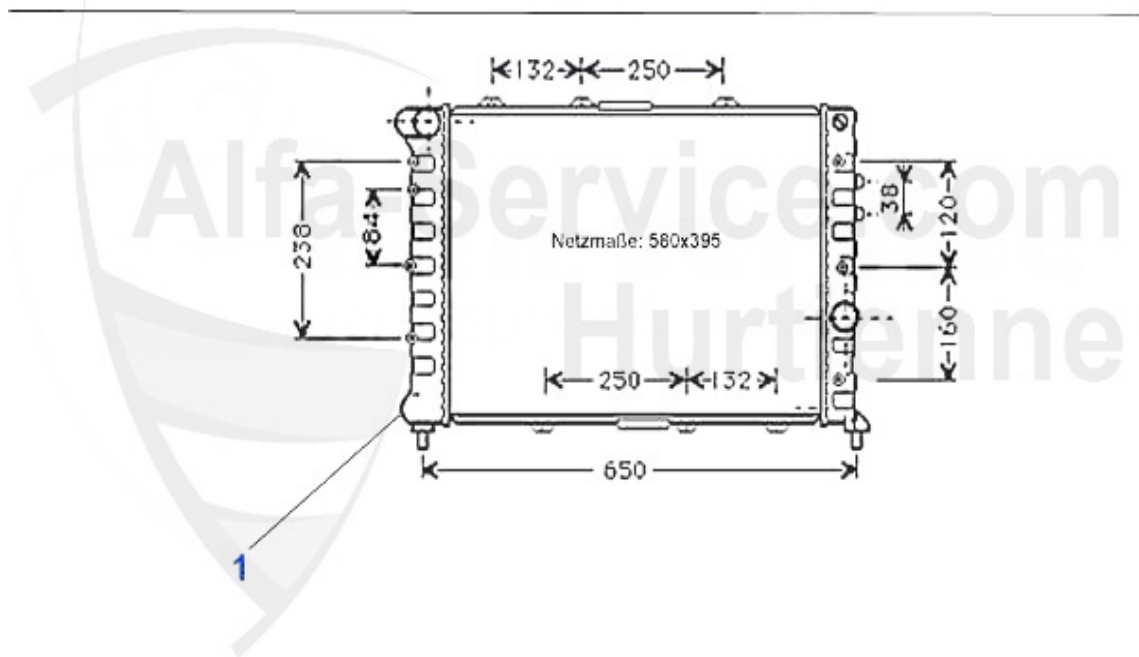
60.52 EUR



1 KWB4720 OVERFLOW CONTAINER 145/146/156 1.8-2.0 TS/1.9-2.4JTD (97-02)

39.00 EUR

# Kühler/Radiator 156 2.4 JTD 20V



1 MK32722 RADIATOR 156 1.9 16V/2.4 10/20V JTD 01> STARTING FROM # 281384

366.23 EUR



## Thermostat 156 2.4 JTD 20V

---



---

1 TH688288 OE. 55189843 THERMOSTAT 156,166 1.9/2.4 JTD 10/20V

119.00 EUR

## Wasserpumpe/Waterpump 156 2.4 JTD 20V

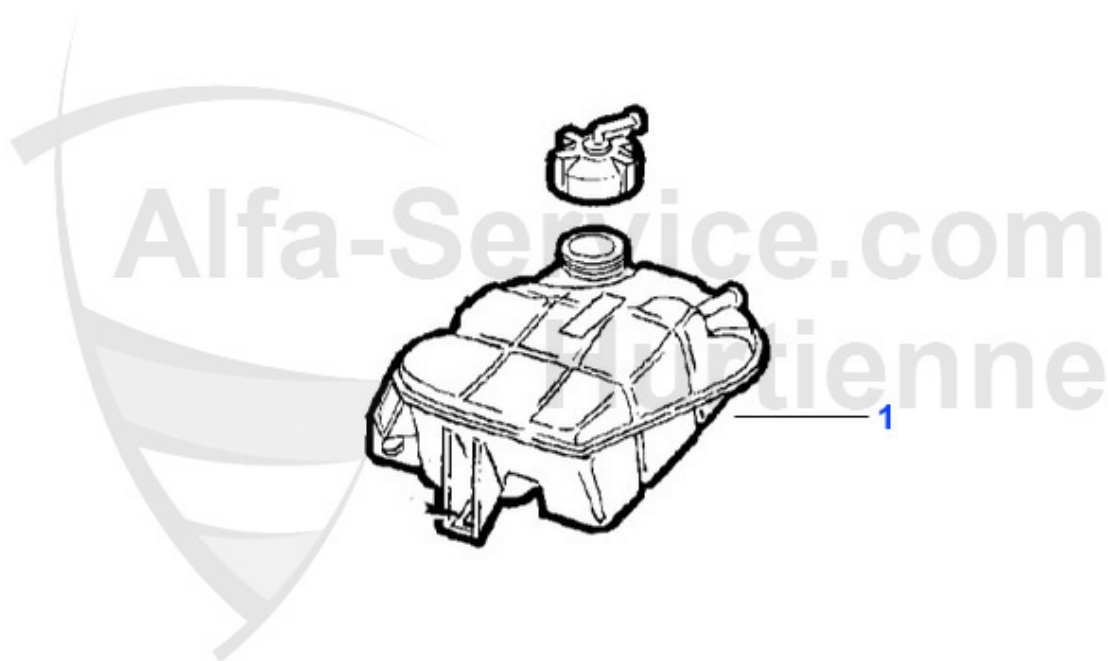
---



---

1 WP04051 OE. 46804051 WATER PUMP 1.9/2.4 16/20 V

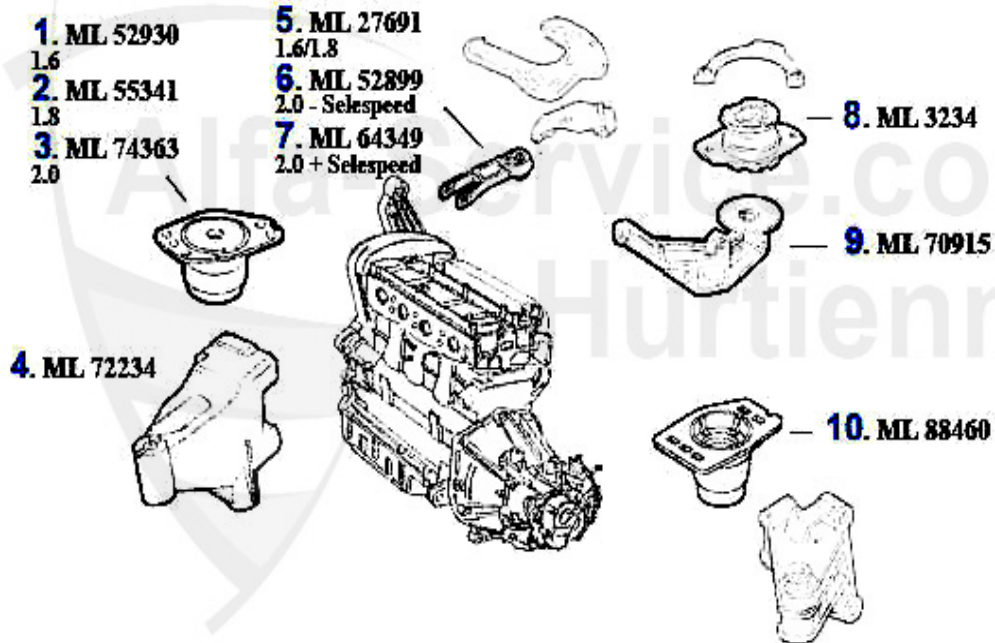
72.33 EUR



1 KWB4720 OVERFLOW CONTAINER 145/146/156 1.8-2.0 TS/1.9-2.4JTD (97-02)

39.00 EUR

# Motorlager/Enginemount 156 TS 16V



1	ML52930	OE. 46452930 ENGINE MOUNT FL 145/6 1999> 2.0 TS 16V,155 1.6/1.8 TS 16V,156 1.6 TS 16V	149.00 EUR
2	ML55341	OE. 60655341 ENGINE MOUNT FL 156, gtv/spider (916) 1.8 TS 16V	***
3	ML74363	OE. 60674363 ENGINE MOUNT FL 147,156/SW, Nuovo GT 2.0 TS/JTS	239.00 EUR
4	ML72234	OE. 60672234 ENGINEMOUNT FR. 156 2002>, gtv/spider (916) 1998>, Nuovo GT TS 16V	92.50 EUR
5	ML27691	OE. 60627691 ENGINEMOUNT RR 145/6,155, 156,gtv/spider (916),Nuovo GT TS 16V	35.81 EUR
6	ML52899	OE. 60652899 ENGINE MOUNT 145/6 2.0 TS, 147 all,156,gtv/spider (916) 1998>, Nuovo GT TS/JTS (without Selespeed)	***
7	ML64349	OE. 60664349 ENGINE ROD 147,156/SW,Nuovo GT 2.0 TS/JTS Selespeed	88.50 EUR
8	ML3234	OE. 7652240/60808861 ENGINE MOUNT	73.99 EUR
9	ML70915	OE. 7770915 SUPPORT	196.59 EUR
10	ML88460	ENGINE MOUNT 145/6,147 (74KW),155,156, GTV/SPIDER (916)	45.01 EUR

# Motorlager/Enginemount 156 JTS



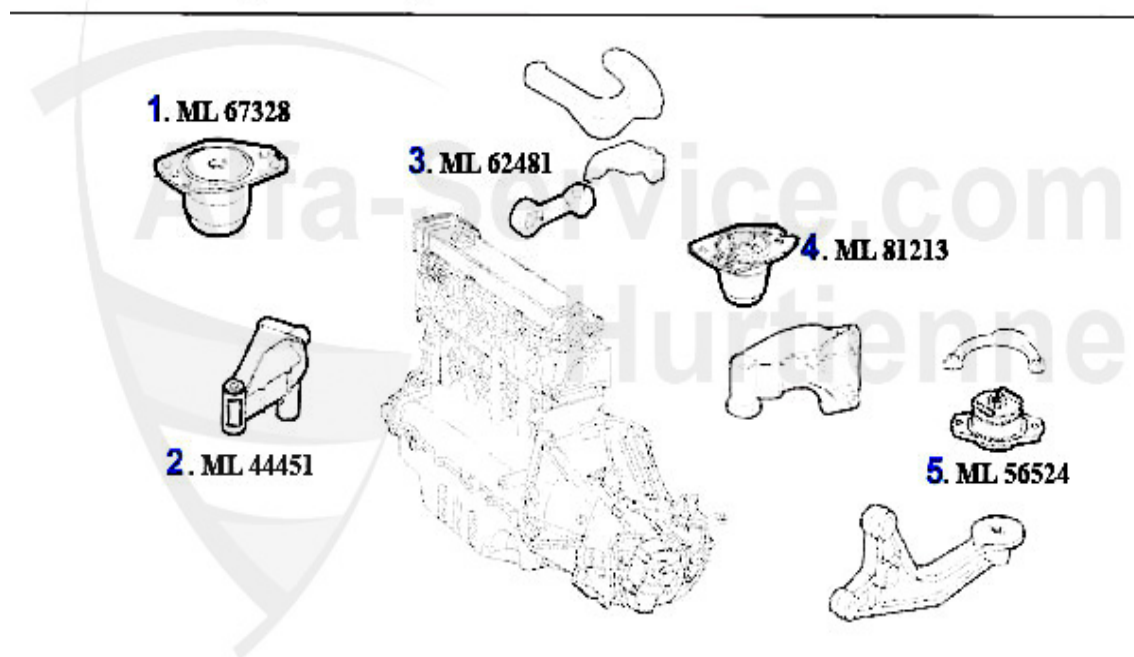
1	ML74363	OE. 60674363 ENGINE MOUNT FL 147,156/SW, Nuovo GT 2.0 TS/JTS	239.00 EUR
2	ML72234	OE. 60672234 ENGINEMOUNT FR. 156 2002>, gtv/spider (916) 1998>, Nuovo GT TS 16V	92.50 EUR
3	ML52899	OE. 60652899 ENGINE MOUNT 145/6 2.0 TS, 147 all,156,gtv/spider (916) 1998>, Nuovo GT TS/JTS (without Selespeed)	***
4	ML64349	OE. 60664349 ENGINE ROD 147,156/SW,Nuovo GT 2.0 TS/JTS Selespeed	88.50 EUR
5	ML3234	OE. 7652240/60808861 ENGINE MOUNT	73.99 EUR
6	ML70915	OE. 7770915 SUPPORT	196.59 EUR
7	ML88460	ENGINE MOUNT 145/6,147 (74KW),155,156, GTV/SPIDER (916)	45.01 EUR

## Motorlager/Enginemount 156 V6 24V/GTA



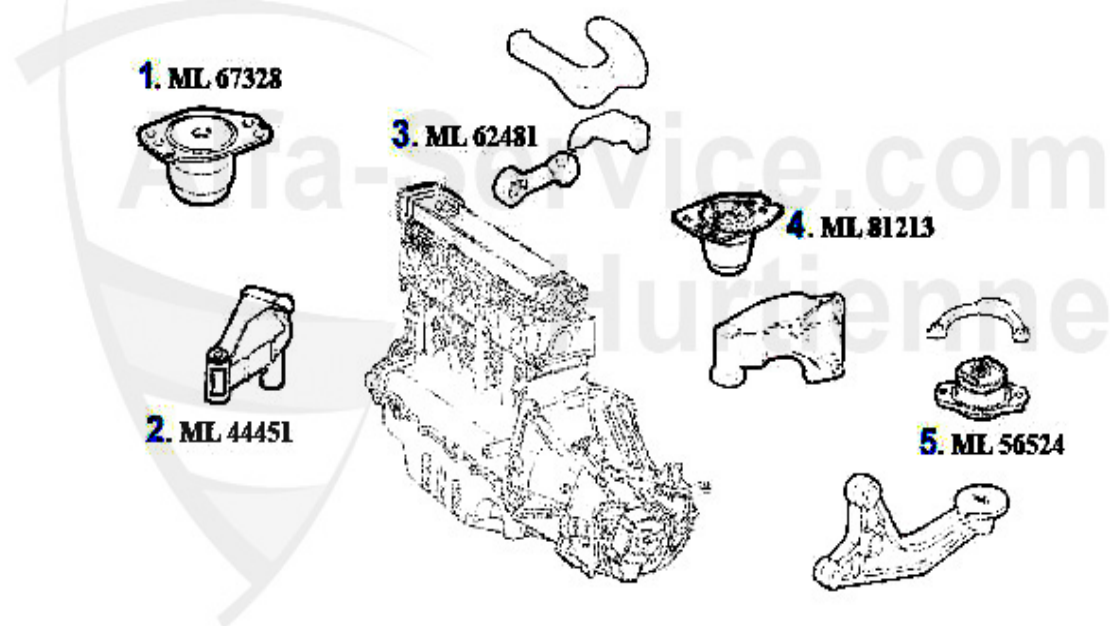
1	ML88868	OE. 60655868 ENGINE MOUNT 147,156,Nuovo GT V6 24V/GTA	***
2	ML52740	OE. 60652740 ENGINE MOUNT 147,156,Nuovo GT V6 24V/GTA	104.99 EUR
3	ML9359	OE.7644686 ENGINE MOUNT REAR 147, 155, 156	55.81 EUR
4	ML55875	OE. 60655875 ENGINEMOUNT REAR 147,156, Nuovo GT 3.2 V6 24V/GTA	***

## Motorlager/Enginemount 156 1.9 JTD 8V



1	ML67328	OE. 46467328 ENGINE MOUNT FL 145/6,147, 156,Nuovo GT JTD	61.62 EUR
2	ML44451	OE. 46744451 ENGINE MOUNT 147,156,Nuovo GT 1.9 JTD 8/16V	95.00 EUR
3	ML62481	OE. 60662481 ENGINE MOUNT 145/6,147,156, Nuovo GT 1.9 JTD	61.25 EUR
4	ML81213	OE. 46781213 ENGINE MOUNT RL 145/6, 147 1,9 JTD +74KW, 156, Nuovo GT JTD	174.99 EUR
5	ML56524	OE. 60656524 ENGINEMOUNT 145/6 1999>, 147,156,Nuovo GT 1.9 JTD 8/16V	40.01 EUR

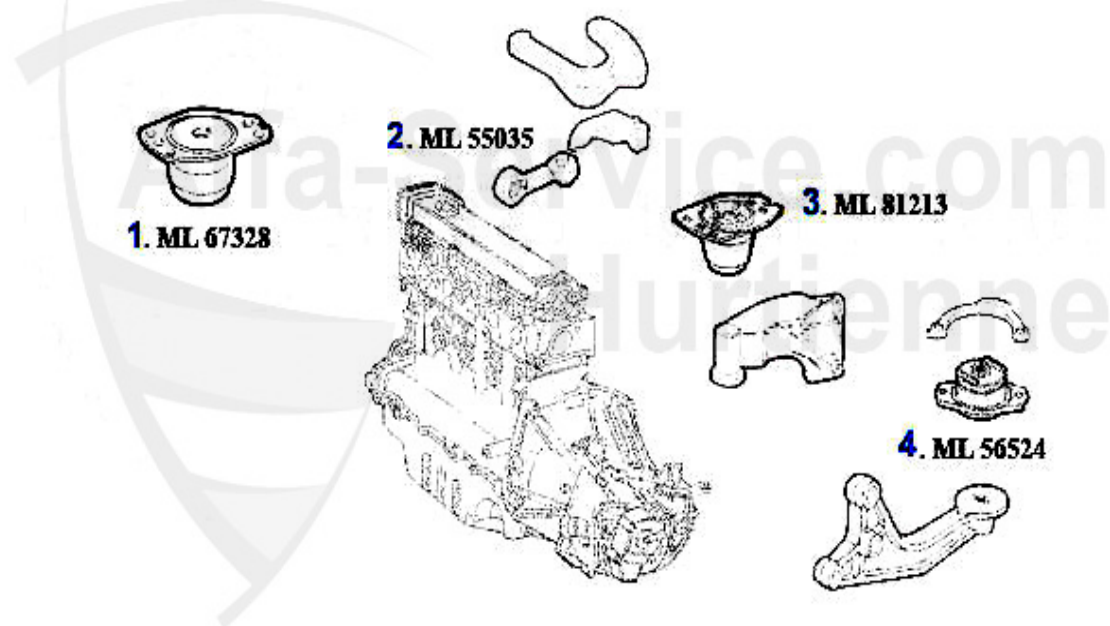
## Motorlager/Enginemount 156 1.9 JTD 16V



1	ML67328	OE. 46467328 ENGINE MOUNT FL 145/6,147, 156,Nuovo GT JTD	61.62 EUR
2	ML44451	OE. 46744451 ENGINE MOUNT 147,156,Nuovo GT 1.9 JTD 8/16V	95.00 EUR
3	ML62481	OE. 60662481 ENGINE MOUNT 145/6,147,156, Nuovo GT 1.9 JTD	61.25 EUR
4	ML81213	OE. 46781213 ENGINE MOUNT RL 145/6, 147 1,9 JTD +74KW, 156, Nuovo GT JTD	174.99 EUR
5	ML56524	OE. 60656524 ENGINEMOUNT 145/6 1999>, 147,156,Nuovo GT 1.9 JTD 8/16V	40.01 EUR

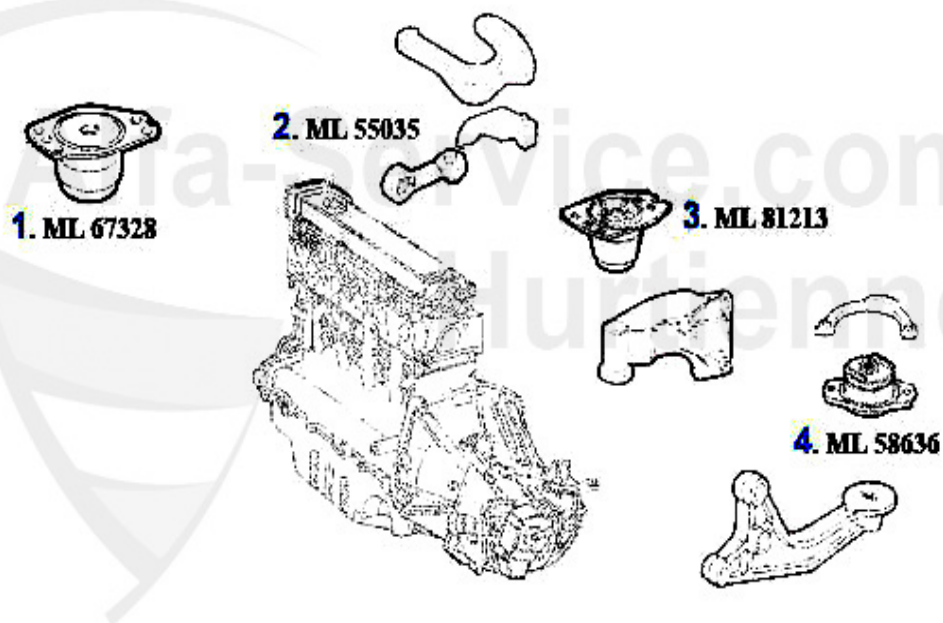


## Motorlager/Enginemount 156 2.4 JTD 10V



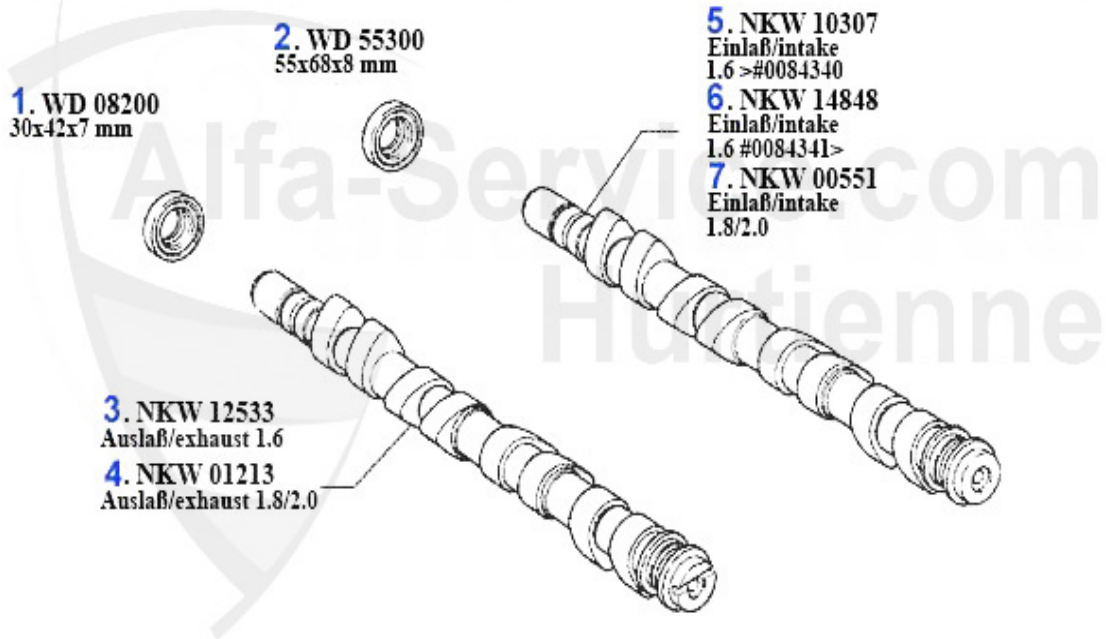
1	ML67328	OE. 46467328 ENGINE MOUNT FL 145/6,147, 156,Nuovo GT JTD	61.62 EUR
2	ML55035	OE. 60655035 ENGINE ROD 156 2.4 JTD 10/20V	60.65 EUR
3	ML81213	OE. 46781213 ENGINE MOUNT RL 145/6, 147 1,9 JTD +74KW, 156, Nuovo GT JTD	174.99 EUR
4	ML56524	OE. 60656524 ENGINEMOUNT 145/6 1999>, 147,156,Nuovo GT 1.9 JTD 8/16V	40.01 EUR

## Motorlager/Enginemount 156 2.4 JTD 20V



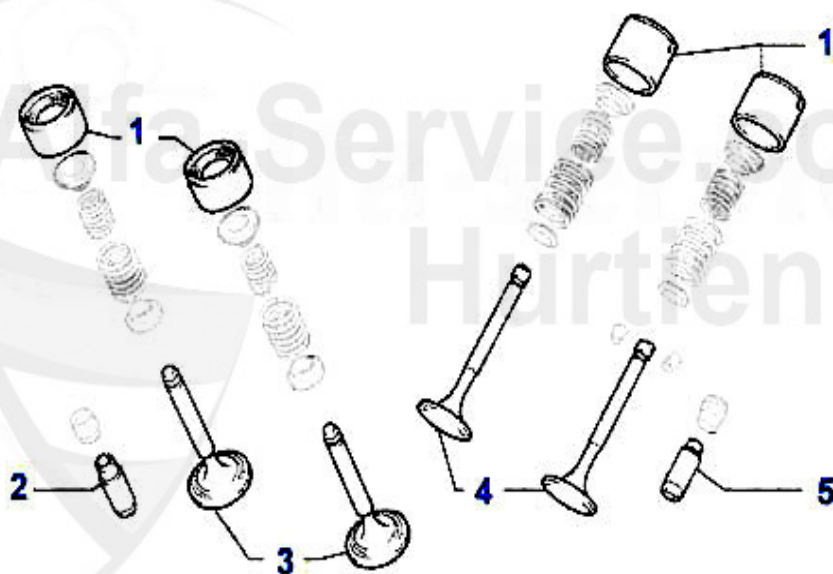
1	ML67328	OE. 46467328 ENGINE MOUNT FL 145/6,147, 156,Nuovo GT JTD	61.62 EUR
2	ML55035	OE. 60655035 ENGINE ROD 156 2.4 JTD 10/20V	60.65 EUR
3	ML81213	OE. 46781213 ENGINE MOUNT RL 145/6, 147 1,9 JTD +74KW, 156, Nuovo GT JTD	174.99 EUR
4	ML58636	OE. 46858636 ENGINEMOUNT REAR 156 2.4 JTD 20V	***

## Nockenwelle/Camshaft 156 TS 16V



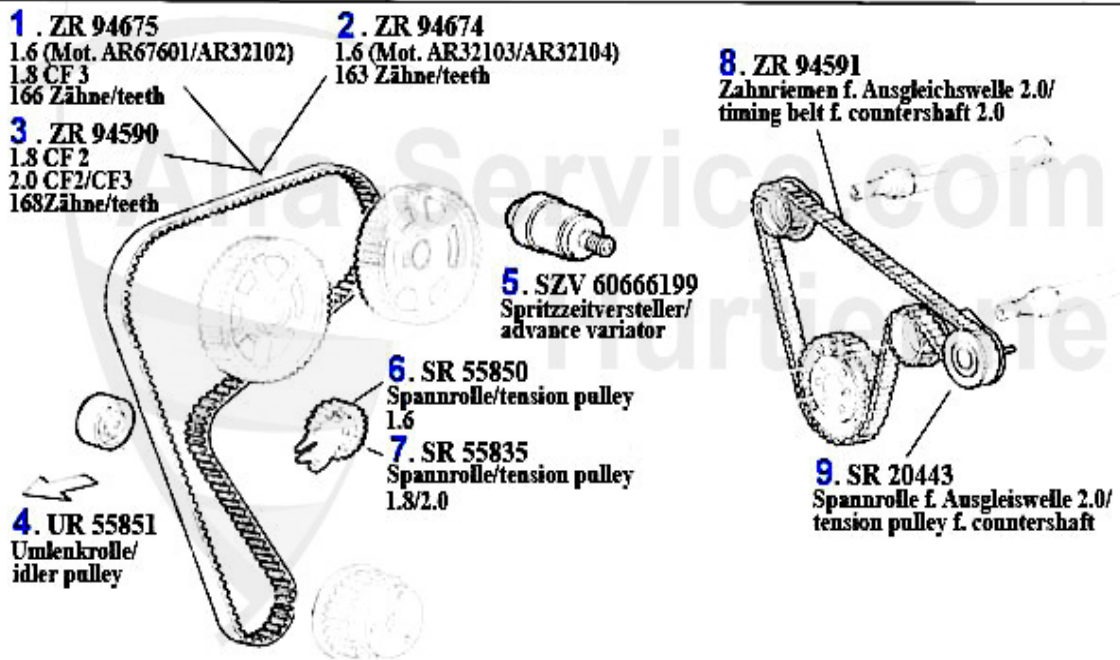
1	WD08200	CAMSHAFT 145/6,155,156,GTV/SPIDER (916), 166 VARIOUS 96-01	15.51 EUR
2	WD55300	CAMSHAFT OIL SEAL 145/6,155,156 1.6,1.7, 1.8,2.0 16V TS	17.90 EUR
3	NKW12533	Nockenwelle (Auslaß) 145/6,147,155, 156 1.4/1.6 TS 16V	243.13 EUR
4	NKW01213	OE. 60601213 CAMSHAFT	419.00 EUR
5	NKW10307	Nockenwelle (Einlaß) 145/6,155,156 1.4/1.6 TS 16V	242.11 EUR
6	NKW14848	Nockenwelle 145/6 1.6 TS 16V # 1650 88>, 156 1.6 TS 16V #84340>	230.82 EUR
7	NKW00551	OE. 60600551 CAMSHAFT	419.00 EUR

## Ventiltrieb/Valve Train 156 TS 16V



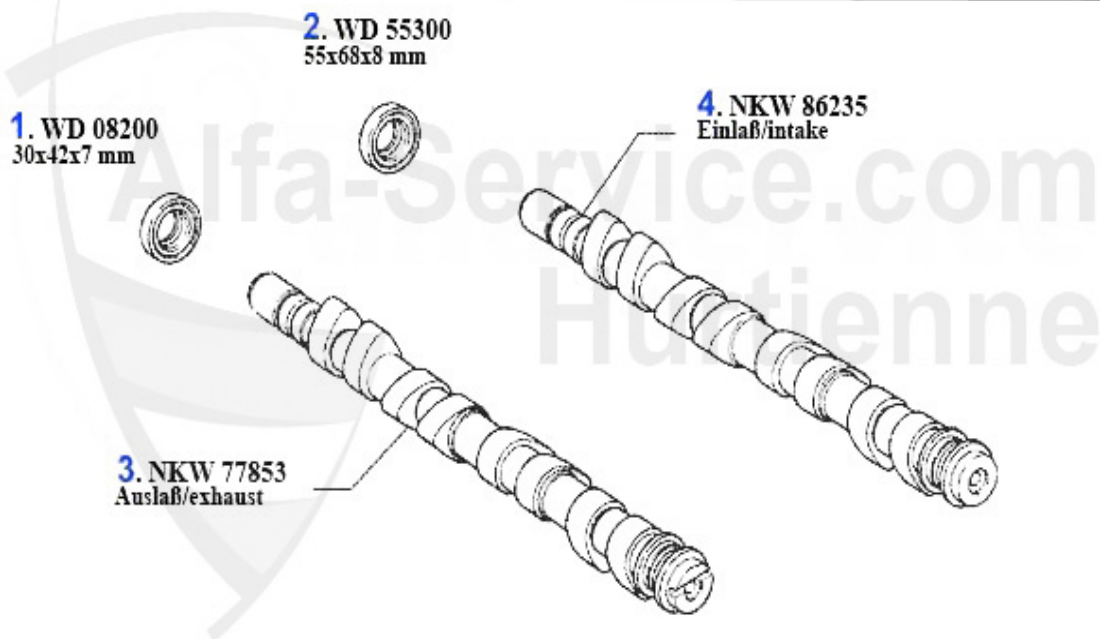
1	HST12769	HYDRAULIC VALVE LIFTER 145/6,147,155 156,166,GTV/SPIDER(916)16V TS ALL!	6.50 EUR
2	VFA11582	Ventilführung Auslaß + 0.05 TS 16V	21.03 EUR
3	VA91934	EXHAUST VALVE 145/6,155,156,SPIDER/GTV (916) 1.6/1.8/2.0 TS 16V	18.05 EUR
4	VE91933	INLET VALVE 145/6,155,156,SPIDER/GTV (916) 1.6/1.8/2.0 TS 16V	15.28 EUR
5	VFE11575	Ventilführung Einlaß +0.05 TS 16V	21.03 EUR

## Zahnriemen/Timing Belt 156 TS 16V



1	ZR94675	Zahnriemen 166SHPN240H 145/6,155/6 4-Zylinder(Mot.CF2/3) Nockenwelle Hochtemperatur-Ausführung ACHTUNG!!! auf Motor # achten	42.58 EUR
2	ZR94674	Zahnriemen 163SHPN240H 145/6 1.4 ie 16V TS,147 1.6 16V TS,156 1.6 16V T S Nockenwelle Hochtemperatur-Ausführung	22.00 EUR
3	ZR94590	OE.60814319 TIMING BELT 168SHPN240H 145/6 1.8/2.0 IE/16V/TS, 147 2.0 16V TS,155 2.0 16V TS,156 1.8,2.0 IE 16V/TS	49.50 EUR
4	UR55851	OE. 60671573 DEFLECTION PULLEY 1.8 TS 16V 145/6, 147, 155, 156, 166, Nuovo GT, gtv/spider (916)	32.50 EUR
5	SZV6066619 9	ORIGINAL ADVANCE VARIATOR TS 16V FOR 145/6,155,156,164,166,GTV/SPIDER(916)	479.00 EUR
6	SR55850	Spannrolle Zahnriemen 145/6 1.4 ie 16V TS,155/6 1.6 ie 16V TS/2.0 JTS/ gtv/spider (916) 2.0 JTS	36.00 EUR
7	SR55835	OE. 55192239 IDLER PULLEY 1.8 TS 16V 145/6, 147, 155, 156, 166, gtv/spider (916)	89.50 EUR
8	ZR94591	Zahnriemen 130SLDD150H 145/6,155/6 2.0 16V TS Ausgleichswelle,Hochtemp eratur-Ausführung	66.00 EUR
9	SR20443	Spannrolle für Ausgleichswelle 2.0 TS gtv/spider (916),155,156 Mot.- Nr. 0134319>	39.50 EUR

## Nockenwelle/Camshaft 156 JTS



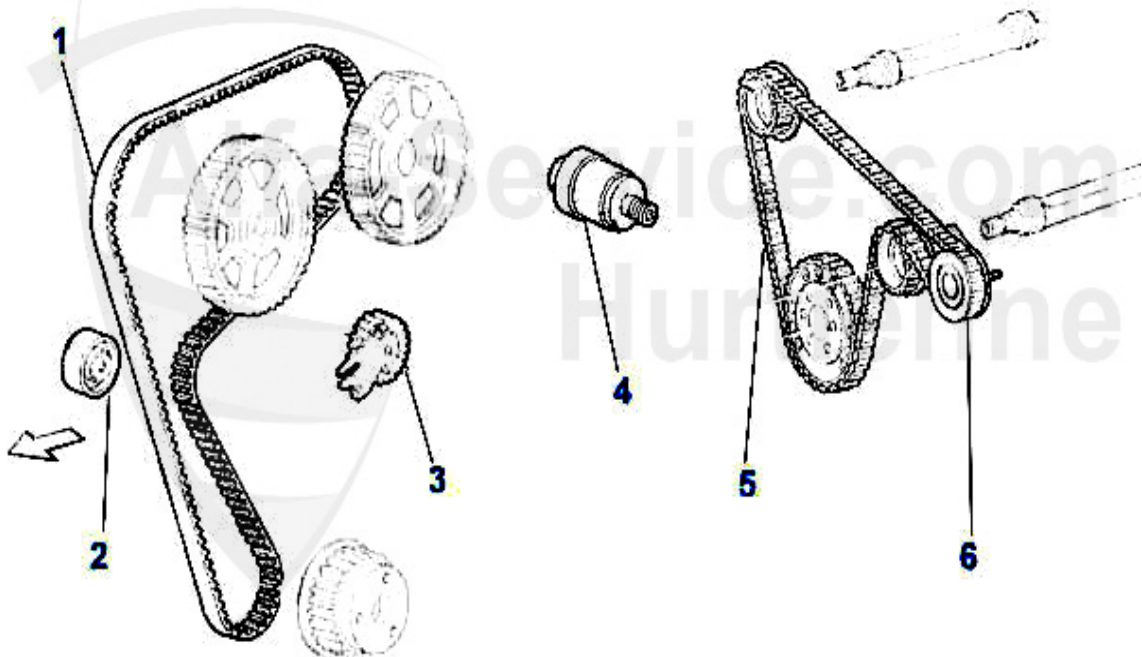
1	WD08200	CAMSHAFT 145/6,155,156,GTV/SPIDER (916), 166 VARIOUS 96-01	15.51 EUR
2	WD55300	CAMSHAFT OIL SEAL 145/6,155,156 1.6,1.7, 1.8,2.0 16V TS	17.90 EUR
3	NKW77853	OE. 60677853 CAMSHAFT EXHAUST 2.0 JTS	509.00 EUR
4	NKW86235	OE. 55186235 CAMSHAFT INTAKE 2.0 JTS	549.99 EUR

## Ventiltrieb/Valve Train 156 JTS



1	HST12769	HYDRAULIC VALVE LIFTER 145/6,147,155 156,166,GTV/SPIDER(916)16V TS ALL!	6.50 EUR
2	VFA11582	Ventilführung Auslaß + 0.05 TS 16V	21.03 EUR
3	VA91934	EXHAUST VALVE 145/6,155,156,SPIDER/GTV (916) 1.6/1.8/2.0 TS 16V	18.05 EUR
4	VE91933	INLET VALVE 145/6,155,156,SPIDER/GTV (916) 1.6/1.8/2.0 TS 16V	15.28 EUR
5	VFE11575	Ventilführung Einlaß +0.05 TS 16V	21.03 EUR

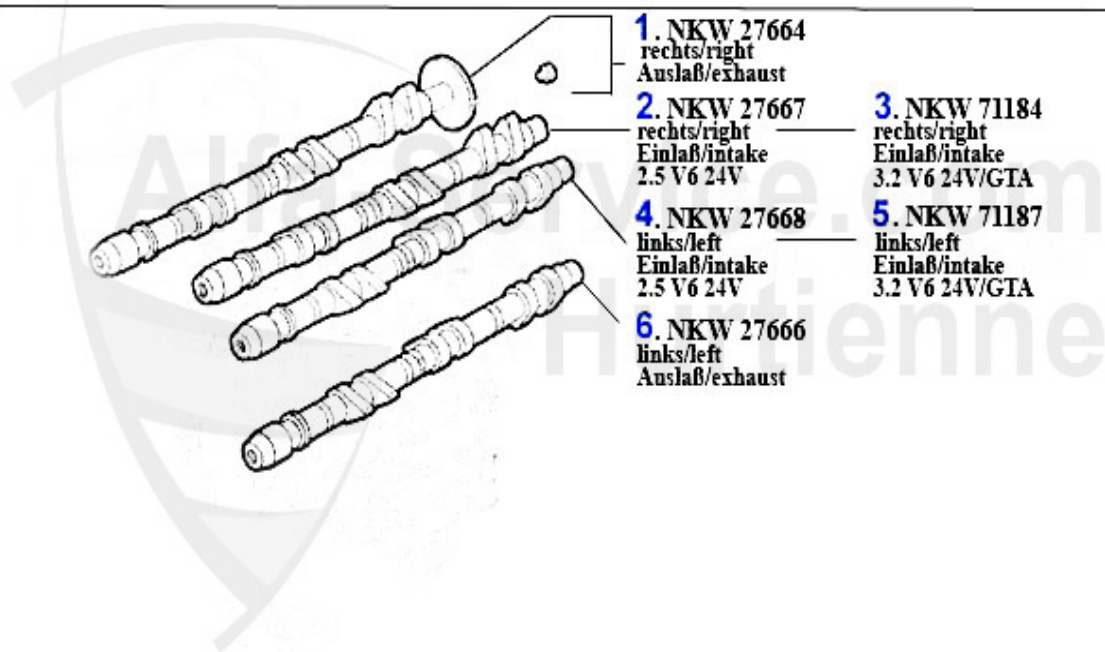
## Zahnriemen/Timing Belt 156 JTS



1	ZR94590	OE.60814319 TIMING BELT 168SHPN240H 145/6 1.8/2.0 IE/16V/TS, 147 2.0 16V TS,155 2.0 16V TS,156 1.8,2.0 IE 16V/TS	49.50 EUR
2	UR55851	OE. 60671573 DEFLECTION PULLEY 1.8 TS 16V 145/6, 147, 155, 156, 166, Nuovo GT, gtv/spider (916)	32.50 EUR
3	SR55850	Spannrolle Zahnriemen 145/6 1.4 ie 16V TS,155/6 1.6 ie 16V TS/2.0 JTS/ gtv/spider (916) 2.0 JTS	36.00 EUR
4	SZV6066619 9	ORIGINAL ADVANCE VARIATOR TS 16V FOR 145/6,155,156,164,166,GTV/SPIDER(916)	479.00 EUR
5	ZR94591	Zahnriemen 130SLDD150H 145/6,155/6 2.0 16V TS Ausgleichswelle,Hochtemp eratur-Ausführung	66.00 EUR
6	SR20443	Spannrolle für Ausgleichswelle 2.0 TS gtv/spider (916),155,156 Mot.- Nr. 0134319>	39.50 EUR



## Nockenwelle/Camshaft 156 V6 24V/GTA



**1. NKW 27664**  
rechts/right  
Auslaß/exhaust

**2. NKW 27667**  
rechts/right  
Einlaß/intake  
2.5 V6 24V

**4. NKW 27668**  
links/left  
Einlaß/intake  
2.5 V6 24V

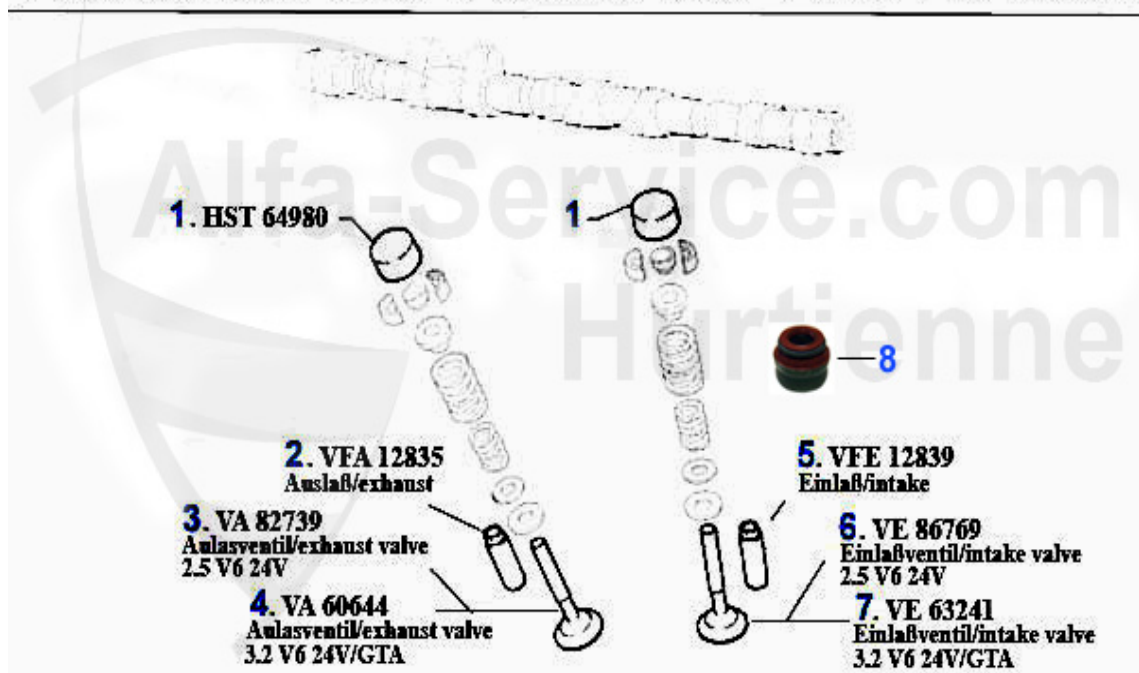
**6. NKW 27666**  
links/left  
Auslaß/exhaust

**3. NKW 71184**  
rechts/right  
Einlaß/intake  
3.2 V6 24V/GTA

**5. NKW 71187**  
links/left  
Einlaß/intake  
3.2 V6 24V/GTA

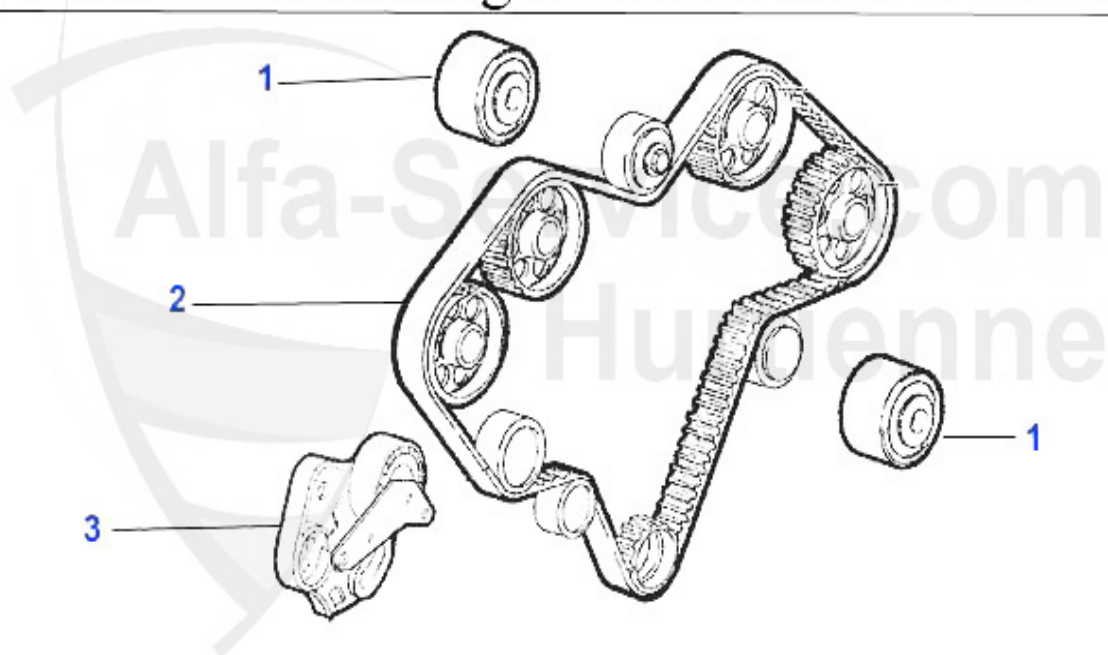
<b>1</b>	<b>NKW27664</b> Nockenwelle rechts (Auslaß) 156,166 2.5 V6 24V,gtv/spider (916) Bj. 98> 3.0 V6 24V,Nouvo GT 3.2	<b>416.74 EUR</b>
<b>2</b>	<b>NKW27667</b> Nockenwelle rechts (Einlaß) 156,166 2.5 V6 24V,gtv/spider (916) 3.0 V6 24V	<b>253.59 EUR</b>
<b>3</b>	<b>NKW71184</b> OE. 60671184 Camshaft R Intake 3.2 V6 24V	<b>630.70 EUR</b>
<b>4</b>	<b>NKW27668</b> Nockenwelle links (Einlaß) 156,166 2.5 V6 24V,gtv/spider (916) Bj. 98> 3.0 V6 24V	<b>253.59 EUR</b>
<b>5</b>	<b>NKW71187</b> OE. 60671187 Camshaft R Intake 3.2 V6 24V	<b>630.70 EUR</b>
<b>6</b>	<b>NKW27666</b> Nockenwelle links (Auslaß) 156,166 2.5 V6 24V,gtv/spider (916) Bj. 98> 3.0 V 24V,Nuovo GT 3.2	<b>416.74 EUR</b>

## Ventiltrieb/Valve Train 156 V6 24V/GTA



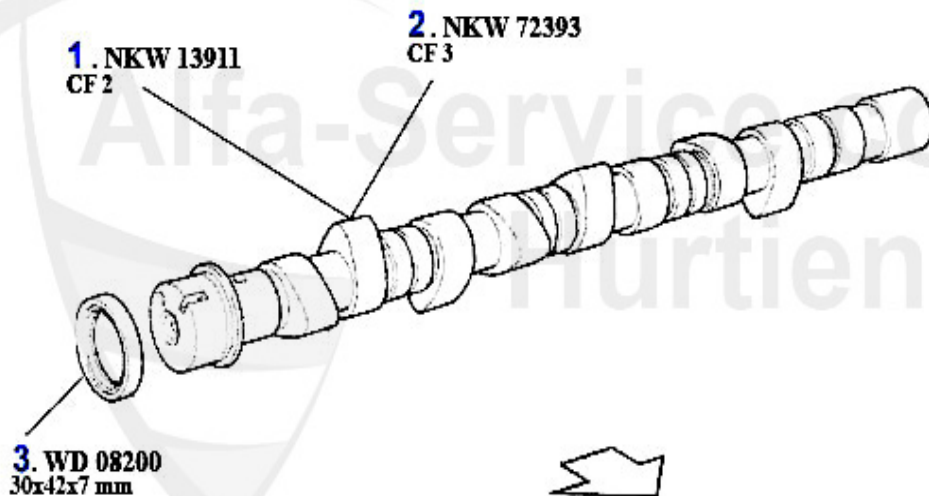
<b>1</b>	<b>HST64980</b>	<b>VALVE TAPPET 33(907), 1.7 16V AR156 2.5 24V</b>	<b>31.50 EUR</b>
<b>2</b>	<b>VFA12835</b>	<b>Ventilführung Auslaß 147,156,164/ Super,gtv/spider (916),Nuovo GT V6 24V</b>	<b>32.50 EUR</b>
<b>3</b>	<b>VA82739</b>	<b>OE. 60582739 VALVE EXHAUST 2.5 24V</b>	<b>47.49 EUR</b>
<b>4</b>	<b>VA60644</b>	<b>Exhaust Valve 3.0 V6 24V/3.2 GTA 147, 156</b>	<b>29.50 EUR</b>
<b>5</b>	<b>VFE12839</b>	<b>Ventilführung Einlaß 147,156,164/ Super,gtv/spider (916),Nuovo GT V6 24V</b>	<b>32.50 EUR</b>
<b>6</b>	<b>VE86769</b>	<b>OE. 55186769 VALVE INTAKE 2.5 24V</b>	<b>35.00 EUR</b>
<b>7</b>	<b>VE63241</b>	<b>VALVE INTAKE 6-CYLINDER 116 3.0 L</b>	<b>29.00 EUR</b>
<b>8</b>	<b>VSD3357</b>	<b>VALVE STEM SEAL 2.5 V6/3.0 V6/3.2 V6/ 147,156,164,166,GTV,Spider,Nuovo GT,33</b>	<b>3.90 EUR</b>

## Zahnriemen/Timing Belt 156 V6 24V/GTA



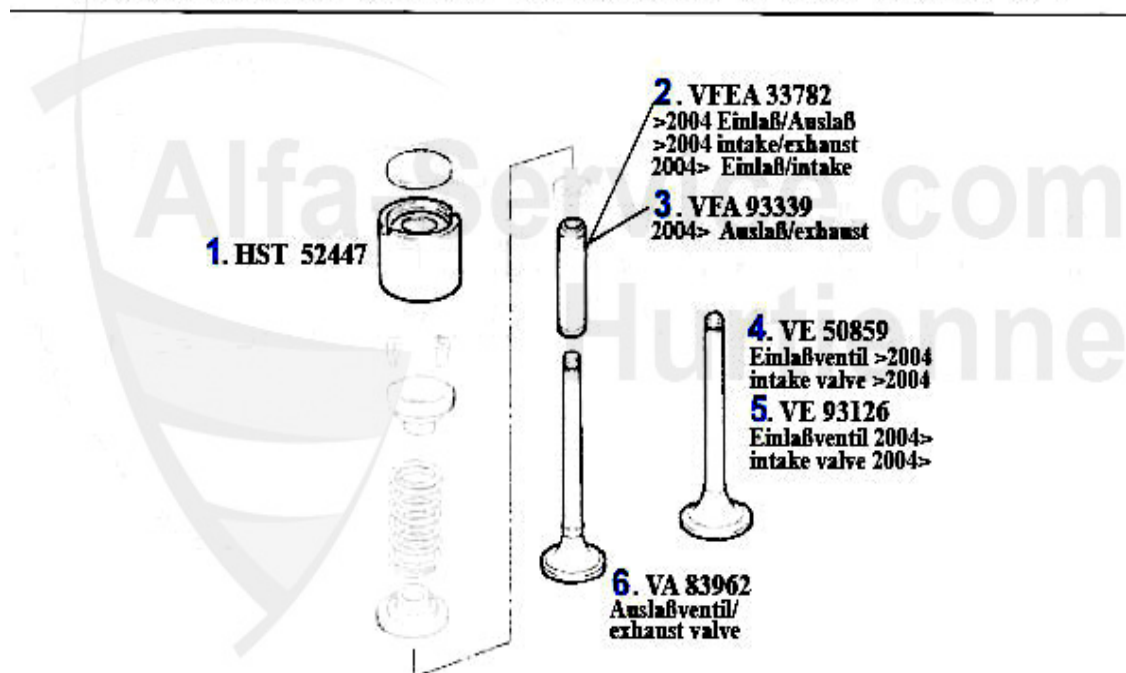
1	UR55876	IDLER PULLEY FOR DRIVE BELT 147,156,166, GTV/SPIDER (916) V6 24V	79.00 EUR
2	ZR94741	TIMING BELT 185H9.5P280 147,156,166,GTV/ SPIDER (916),Nuovo GT V6 24V (HIGH TEMPERATURE VERSION)	89.00 EUR
3	SR55875	OE. 55196536 BELTSTRETCHER	149.00 EUR

## Nockenwelle/Camshaft 156 1.9 JTD 8V



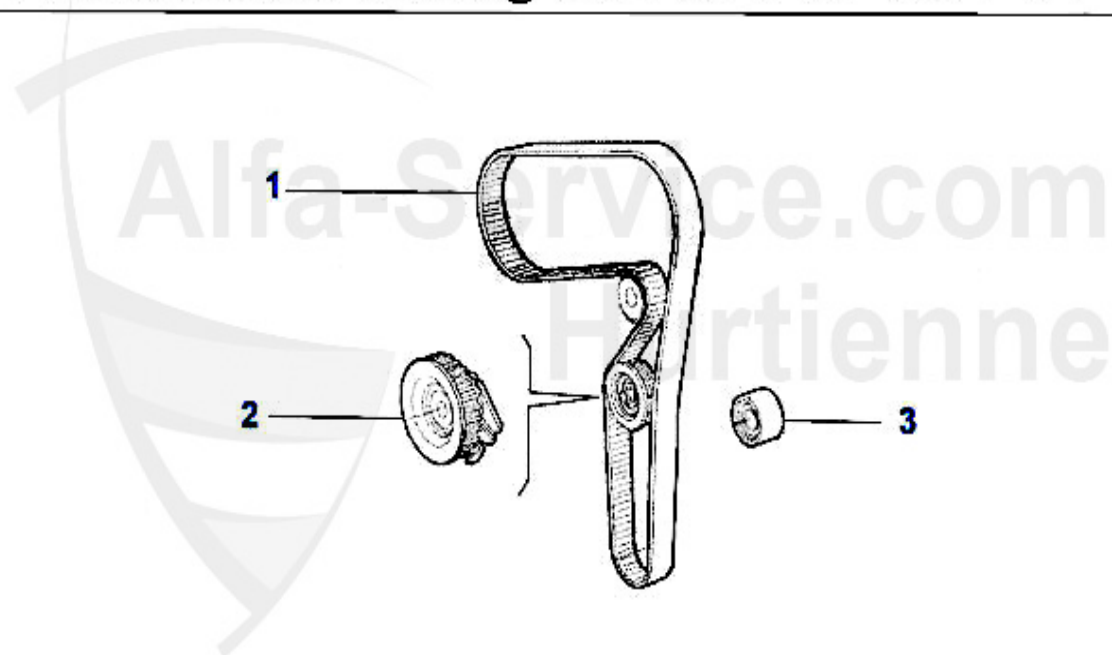
1	NKW13911 Nockenwelle 156,145/6 1.9 JTD (CF2)	204.14 EUR
2	NKW72393 OE. 46772393 Camshaft 1.9 JTD 8V	379.00 EUR
3	WD08200 CAMSHAFT 145/6,155,156,GTV/SPIDER (916), 166 VARIOUS 96-01	15.51 EUR

## Ventiltrieb/Valve Train 156 1.9 JTD 8V



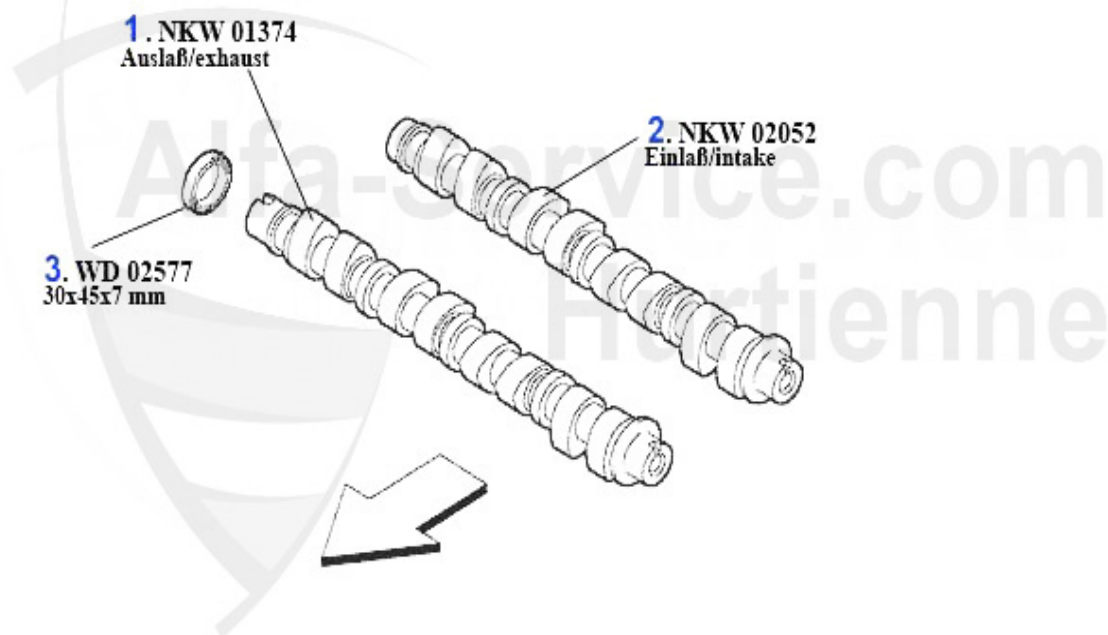
1	HST52447 Hydrost	14.26 EUR
2	VFEA33782 Ventilführung Ein-/Auslaß +0.05 JTD 8/10V 145/6,147,156,166	4.11 EUR
3	VFA93339 OE. 55193339 VALVE GUIDE INTAKE 1.9/2.4 JTD 8/10V 6.2004>	***
4	VE50859 Ventil-Einlaß 145/6,147,156,166 JTD 8/10V	21.03 EUR
5	VE93126 Ventil-Einlaß 147,156,166 JTD 8/10V Bj. 6.04>	20.21 EUR
6	VA83962 Ventil-Auslaß 145/6,147,156,166 JTD 8/10V	32.83 EUR

## Zahnriemen/Timing Belt 156 1.9 JTD 8V



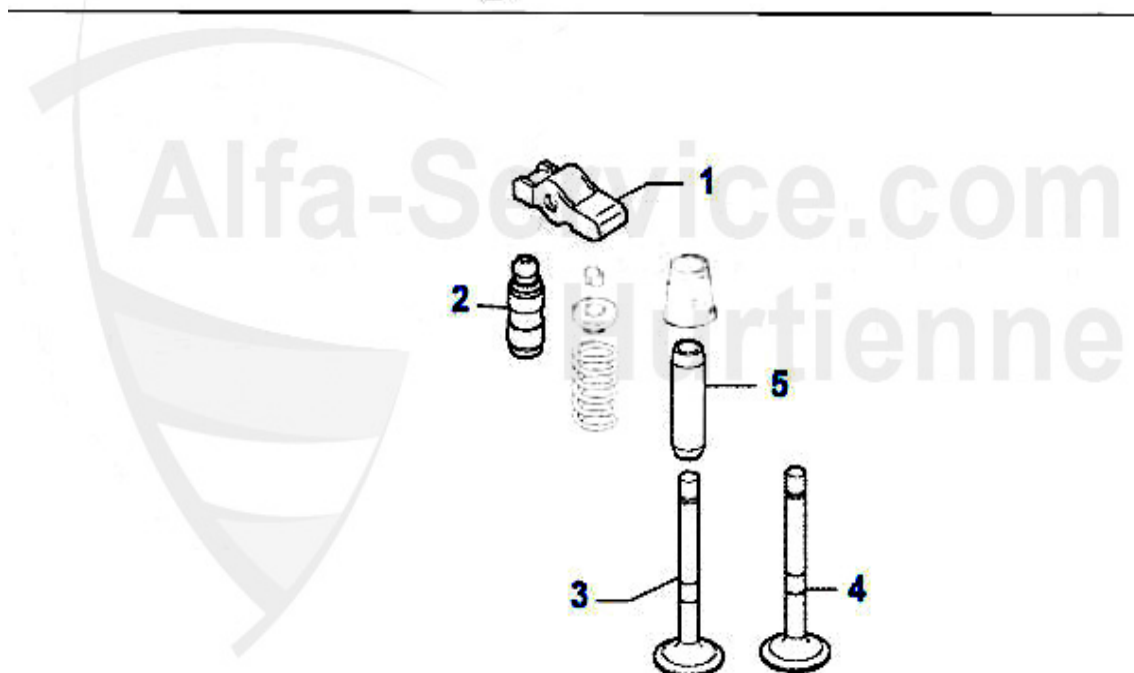
<b>1</b>	<b>ZR94713</b>	<b>OE.60814603 DRIVE BELT 190SHPN240H 145/6, 156,166 1.9/2.4 JTD CAMSHAFT HIGH TEMPERATURE VERSION</b>	<b>43.60 EUR</b>
<b>2</b>	<b>SR55844</b>	<b>TENSIONING PULLEY TIMING BELT 145/6/7 , 156 , 166 1,9 &amp; 2,4 JTD</b>	<b>68.22 EUR</b>
<b>3</b>	<b>UR55842</b>	<b>GUIDE PULLEY TIMING BELT 145/6/7,156 , 166 1,9 &amp; 2,4 JTD</b>	<b>34.77 EUR</b>

## Nockenwelle/Camshaft 156 1.9 JTD 16V



1	NKW01374 Nockenwelle Ausla	179.52 EUR
2	NKW02052 Nockenwelle Einla	208.25 EUR
3	WD02577 CRANKSHAFT OIL SEAL 147,156,166,NUOVO GT 1.9/2.4 JTD 16V/20V	5.90 EUR

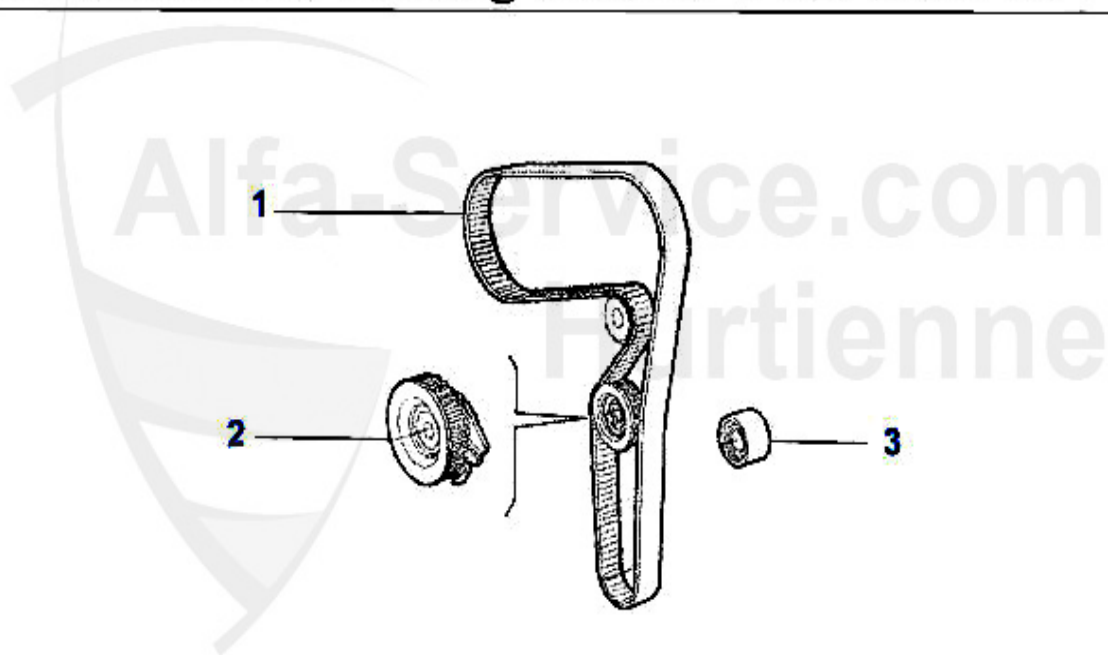
## Ventiltrieb/Timing Train 156 1.9 JTD 10V



1	KH64765	Kipphebel 147,156,166,Nuovo GT JTD 16/20V	10.67 EUR
2	HST67972	Stößel 147,156,166,Nuovo GT JTD 16/20V	35.11 EUR
3	VE95535	OE. 55195535 Valve Intake JTD 16/20V	18.98 EUR
4	VA87902	OE. 46787902 Valve-Exhaust JTD 16/20V	20.00 EUR
5	VFEA86786	OE. 55186786 Valve Guide Intake/Exhaust JTD 16/20V	13.34 EUR

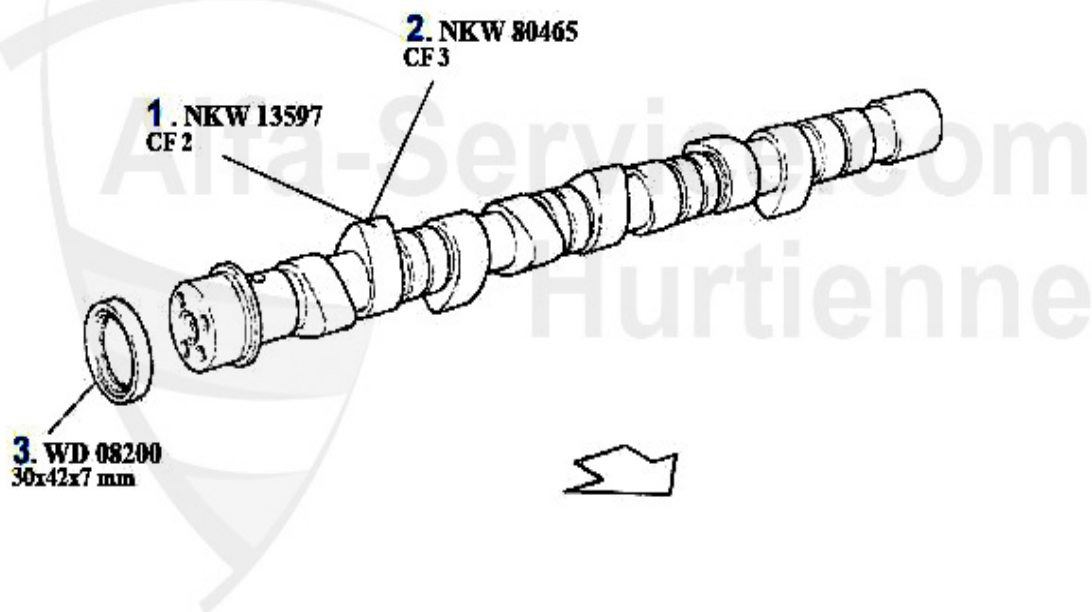


## Zahnriemen/Timing Belt 156 1.9 JTD 16V



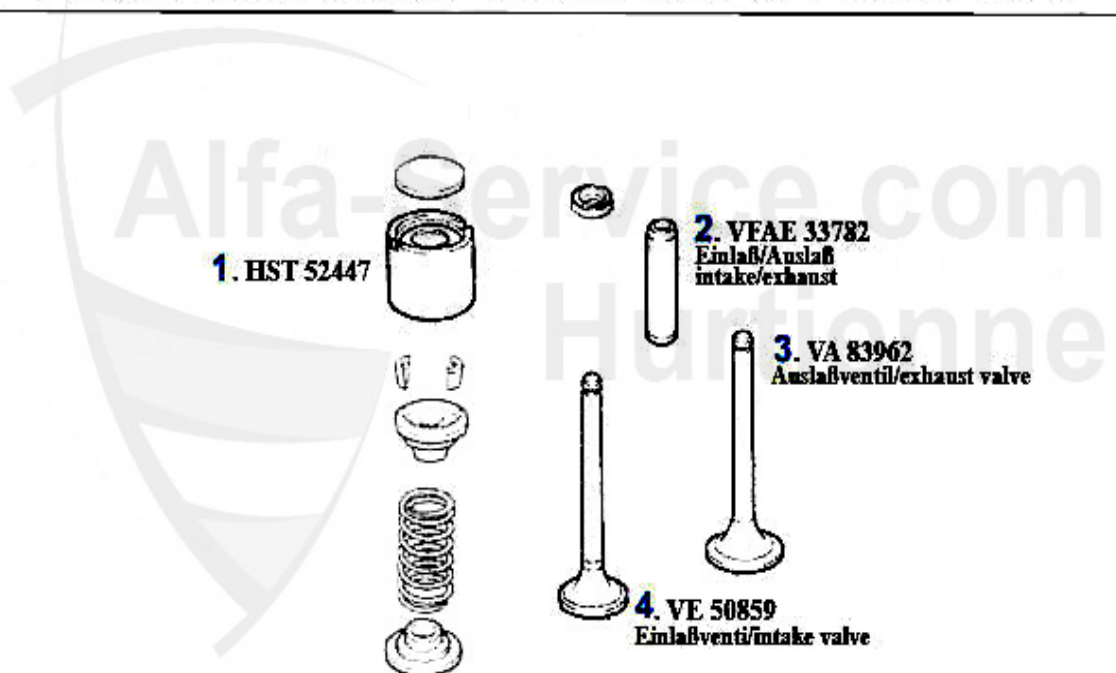
1	ZR94958	Zahnriemen 147,156,166,Nuovo GT JTD 16/20V	58.48 EUR
2	SR55844	TENSIONING PULLEY TIMING BELT 145/6/7 , 156 , 166 1,9 & 2,4 JTD	68.22 EUR
3	UR55842	GUIDE PULLEY TIMING BELT 145/6/7,156 , 166 1,9 & 2,4 JTD	34.77 EUR

## Nockenwelle 156 2.4 JTD 10V



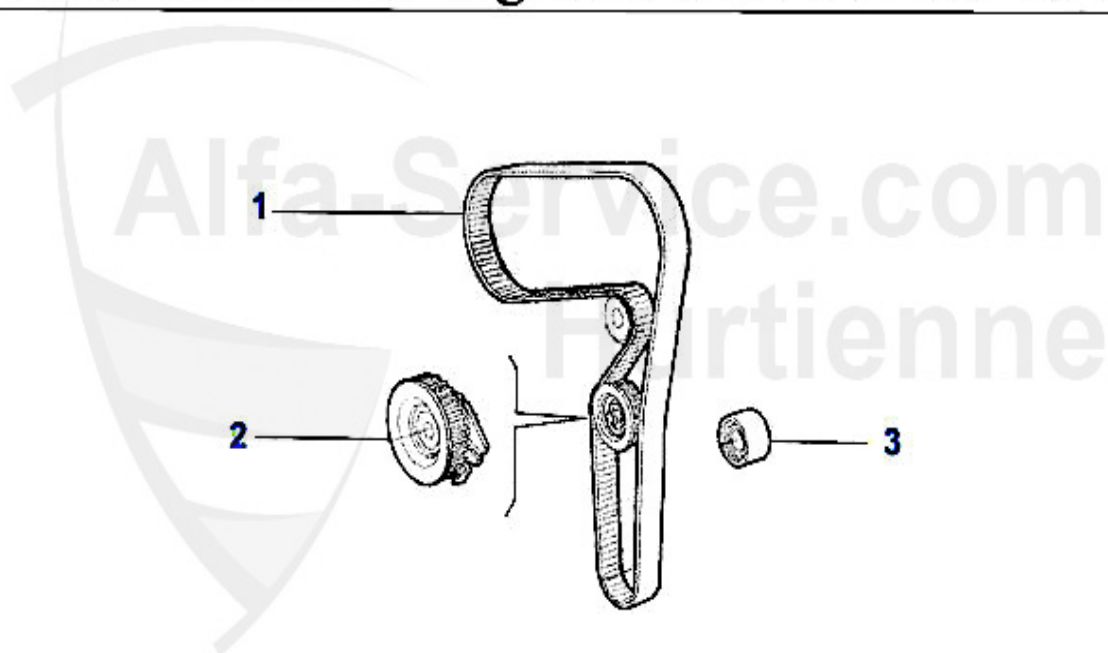
1	NKW13597 Nockenwelle 156,166 2.4 JTD CF2 (10 3 KW)	386.75 EUR
2	NKW80465 OE. 46780465 CAMSHAFT 2.4 JTD 10V (CF3)	328.27 EUR
3	WD08200 CAMSHAFT 145/6,155,156,GTV/SPIDER (916), 166 VARIOUS 96-01	15.51 EUR

## Ventiltrieb/Valve Train 156 2.4 JTD 10V



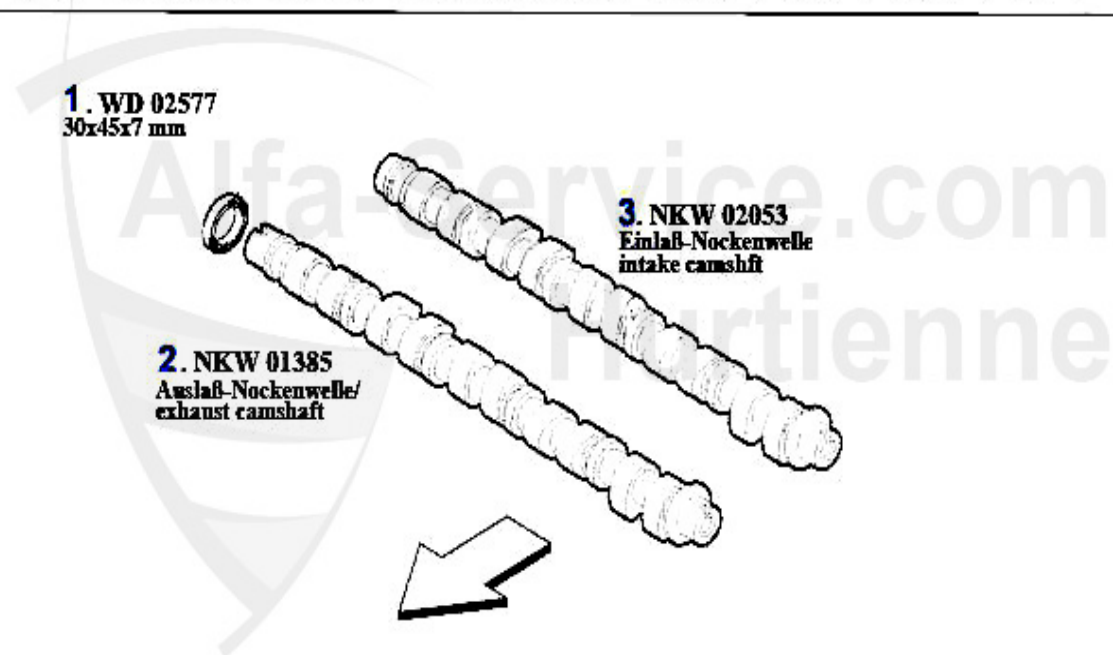
1	HST52447	Hydrost	14.26 EUR
2	VFAE33782	Ventilführung Ein-/Auslaß +0.05 JTD 8/10V 145/6,147,156,166	4.11 EUR
3	VA83962	Ventil-Auslaß 145/6,147,156,166 JTD 8/10V	32.83 EUR
4	VE50859	Ventil-Einlaß 145/6,147,156,166 JTD 8/10V	21.03 EUR

## Zahnriemen/Timing Belt 156 2.4 JTD 10V



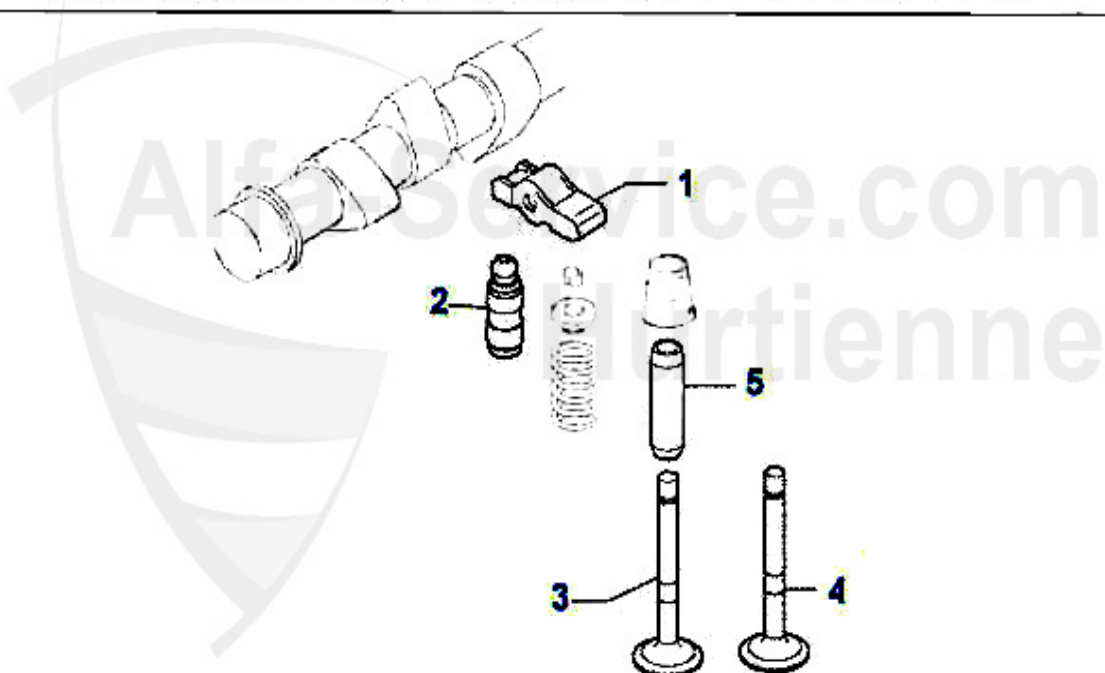
1	ZR94713	OE.60814603 DRIVE BELT 190SHPN240H 145/6, 156,166 1.9/2.4 JTD CAMSHAFT HIGH TEMPERATURE VERSION	43.60 EUR
2	SR55844	TENSIONING PULLEY TIMING BELT 145/6/7 , 156 , 166 1,9 & 2,4 JTD	68.22 EUR
3	UR55842	GUIDE PULLEY TIMING BELT 145/6/7,156 , 166 1,9 & 2,4 JTD	34.77 EUR

## Nockenwelle/Camshaft 156 2.4 JTD 20V



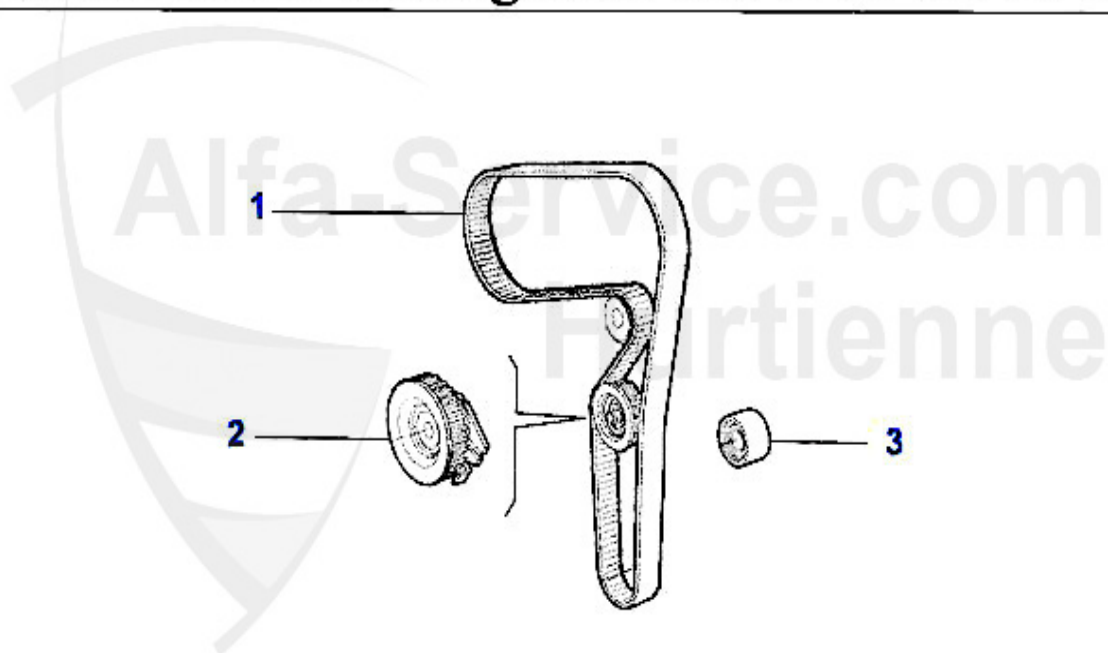
1	WD02577	CRANKSHAFT OIL SEAL 147,156,166,NUOVO GT 1.9/2.4 JTD 16V/20V	5.90 EUR
2	NKW01385	OE. 73501385 CAMSHAFT EXHAUST 2.4 JTD 20V	299.00 EUR
3	NKW02053	OE. 46802053 CAMSHAFT INTAKE 2.4 JTD 20V	698.99 EUR

## Ventiltrieb/Valve Train 156 2.4 JTD 20V



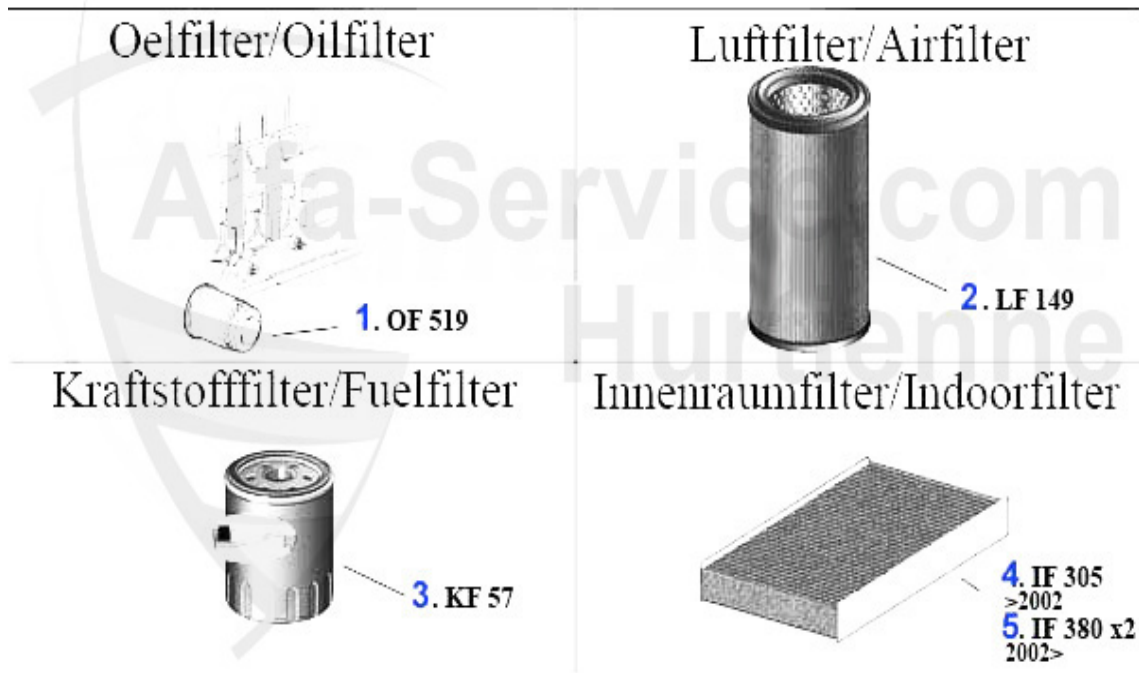
1	KH64765	Kipphebel 147,156,166,Nuovo GT JTD 16/20V	10.67 EUR
2	HST67972	Stößel 147,156,166,Nuovo GT JTD 16/20V	35.11 EUR
3	VE95535	OE. 55195535 Valve Intake JTD 16/20V	18.98 EUR
4	VA87902	OE. 46787902 Valve-Exhaust JTD 16/20V	20.00 EUR
5	VFEA86786	OE. 55186786 Valve Guide Intake/Exhaust JTD 16/20V	13.34 EUR

## Zahnriemen/Timing Belt 156 2.4 JTD 20V



1	ZR94958	Zahnriemen 147,156,166,Nuovo GT JTD 16/20V	58.48 EUR
2	SR55844	TENSIONING PULLEY TIMING BELT 145/6/7 , 156 , 166 1,9 & 2,4 JTD	68.22 EUR
3	UR55842	GUIDE PULLEY TIMING BELT 145/6/7,156 , 166 1,9 & 2,4 JTD	34.77 EUR

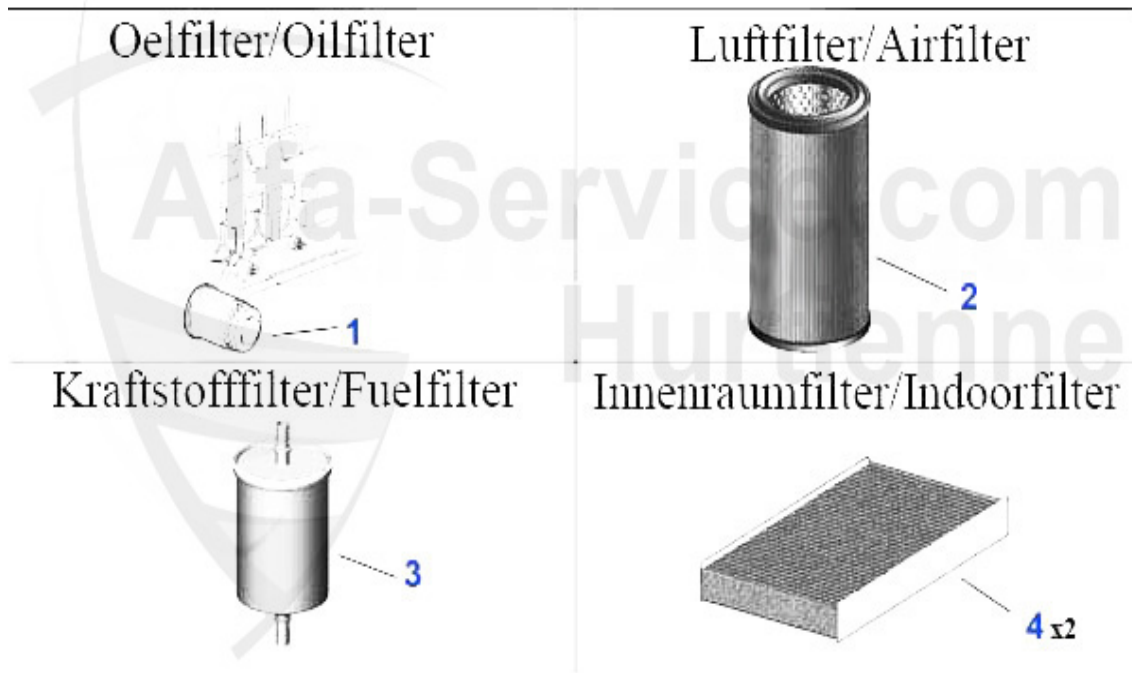
## Filter 156 TS



<b>1</b>	<b>OF519</b>	<b>OE. 46808398/71736159 OILFILTER</b>	<b>8.90 EUR</b>
<b>2</b>	<b>LF149</b>	<b>AIR FILTER 147 GTA,156 2.0 TS/JTS/V6 24V/JTD,NUOVO GT V6 24V, ROUND</b>	<b>14.77 EUR</b>
<b>3</b>	<b>KF57</b>	<b>Kraftstoff-Filter 145/6,147,156 TS 16V,Leitungsfiler</b>	<b>10.77 EUR</b>
<b>4</b>	<b>IF305</b>	<b>INDOOR FILTER 156 &gt;02, FIRM</b>	<b>20.00 EUR</b>
<b>5</b>	<b>IF380</b>	<b>OE.46799653 pollen filter 147,156 2001&gt;,Nuovo GT, square carbon filter</b>	<b>17.23 EUR</b>



## Filter 156 JTS



1	OF272	OILFILTER 156/NUOVO,GTV/SPIDER(916) 2.0 JTS	14.43 EUR
2	LF149	AIR FILTER 147 GTA,156 2.0 TS/JTS/V6 24V/JTD,NUOVO GT V6 24V, ROUND	14.77 EUR
3	KF75978	Kraftstofffilter 156 JTS	19.39 EUR
4	IF380	OE.46799653 pollen filter 147,156 2001>,Nuovo GT, square carbon filter	17.23 EUR

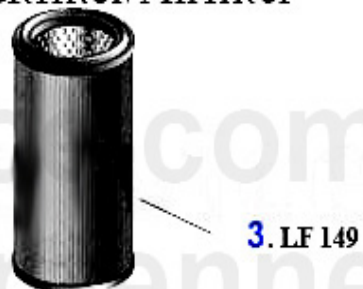
## Filter 156 V6 24V/GTA

Oelfilter/Oilfilter

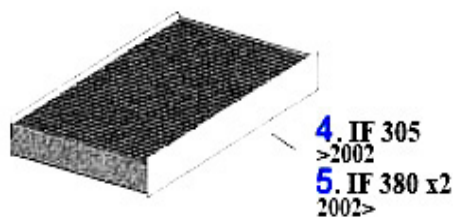


Kraftstofffilter/Fuelfilter

Luftfilter/Airfilter

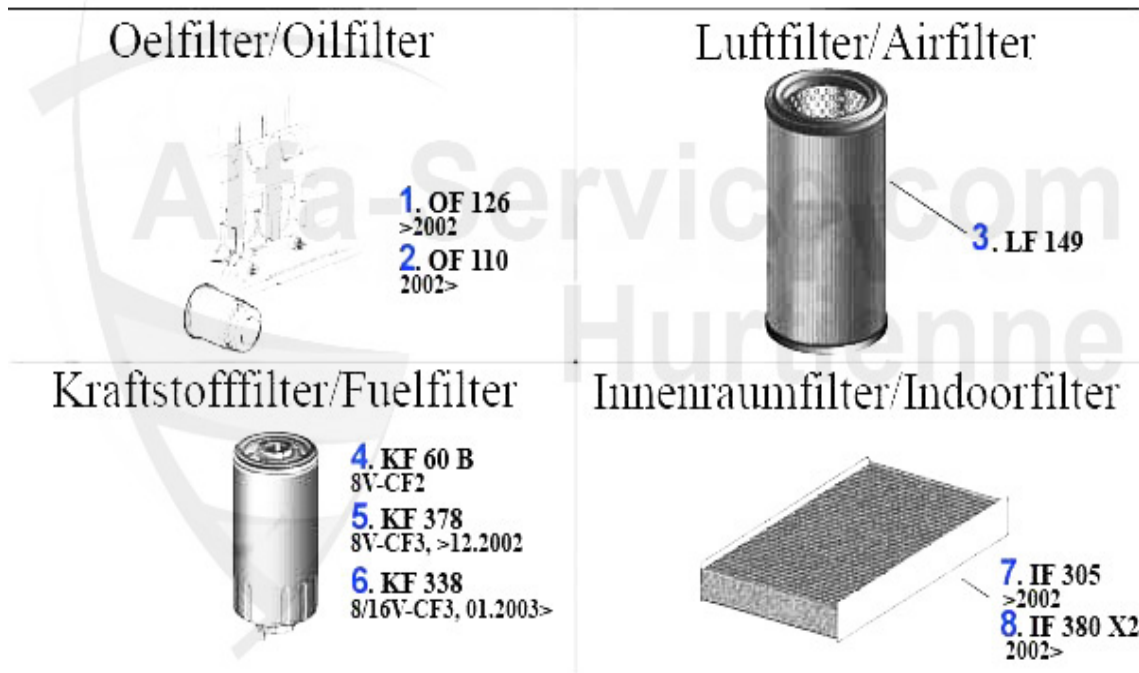


Innenraumfilter/Indoorfilter



1	OF519	OE. 46808398/71736159 OILFILTER	8.90 EUR
2	OF124	OE. 46805830 OILFILTER	9.13 EUR
3	LF149	AIR FILTER 147 GTA,156 2.0 TS/JTS/V6 24V/JTD,NUOVO GT V6 24V, ROUND	14.77 EUR
4	IF305	INDOOR FILTER 156 >02, FIRM	20.00 EUR
5	IF380	OE.46799653 pollen filter 147,156 2001>,Nuovo GT, square carbon filter	17.23 EUR

## Filter 156 1.9 JTD

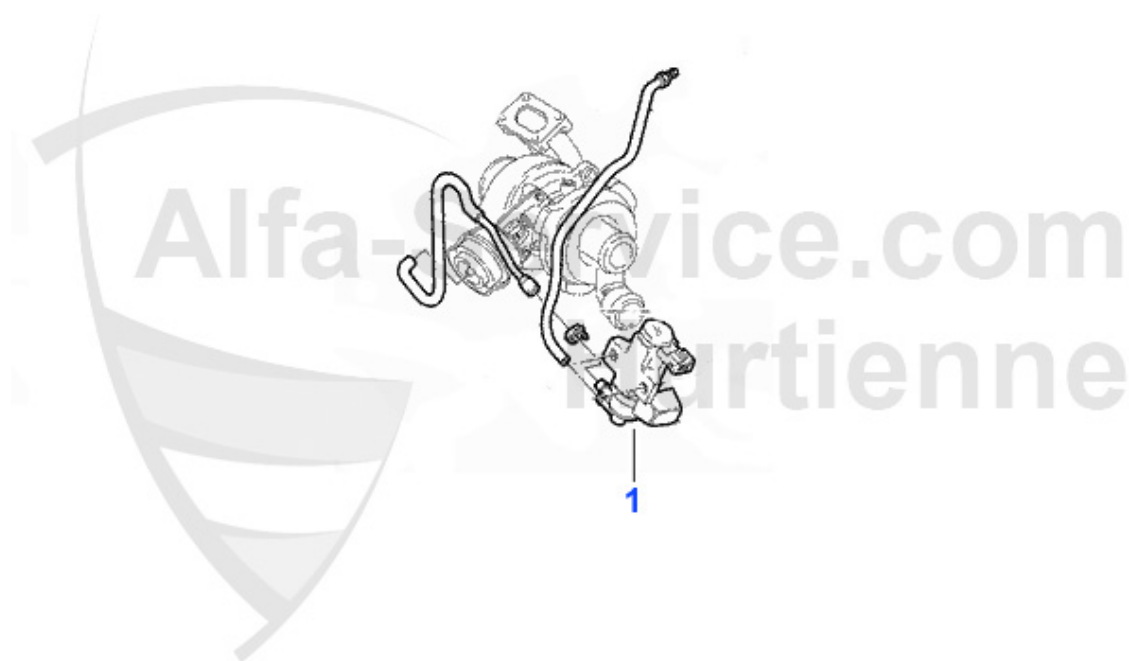


1	OF126	Ölfilter 145/6,147,156,166 JTD Anschraubpatrone	9.13 EUR
3	LF149	AIR FILTER 147 GTA,156 2.0 TS/JTS/V6 24V/JTD,NUOVO GT V6 24V, ROUND	14.77 EUR
4	KF60B	Kraftstoff-Filter 145/6,156,166 JTD (CF2) Bj. >01,Anschraubfilter	12.83 EUR
5	KF378	Kraftstoff-Filter 147,156,166 1.9 JTD 8V (CF3)/2.4 JTD 110 KW	32.93 EUR
6	KF338	Kraftstofffilter 147,156,166,Nuovo G T JTD (CF3),Bj 01>	28.62 EUR
7	IF305	INDOOR FILTER 156 >02, FIRM	20.00 EUR
8	IF380	OE.46799653 pollen filter 147,156 2001>,Nuovo GT, square carbon filter	17.23 EUR

## Filter 156 2.4 JTD



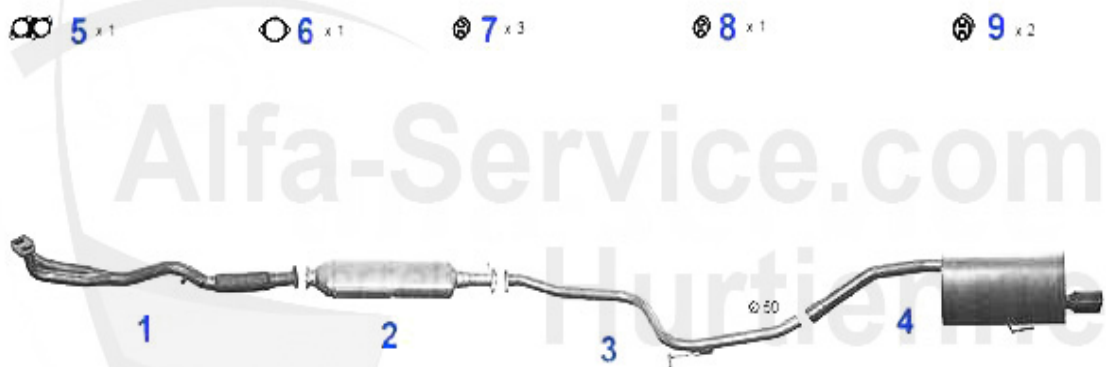
1	OF126	Ölfilter 145/6,147,156,166 JTD Anschraubpatrone	9.13 EUR
3	LF149	AIR FILTER 147 GTA,156 2.0 TS/JTS/V6 24V/JTD,NUOVO GT V6 24V, ROUND	14.77 EUR
4	KF378	Kraftstoff-Filter 147,156,166 1.9 JTD 8V (CF3)/2.4 JTD 110 KW	32.93 EUR
5	KF338	Kraftstofffilter 147,156,166,Nuovo G T JTD (CF3),Bj 01>	28.62 EUR
6	IF305	INDOOR FILTER 156 >02, FIRM	20.00 EUR
7	IF380	OE.46799653 pollen filter 147,156 2001>,Nuovo GT, square carbon filter	17.23 EUR



1 STV203202 ELECTRO VALVE FOR TURBO 147, 156, 159, 166,GT, Brera, Mito, Nuovo  
Spider

68.94 EUR

## Abgasanlage/Exhaust System 156 TS CF2

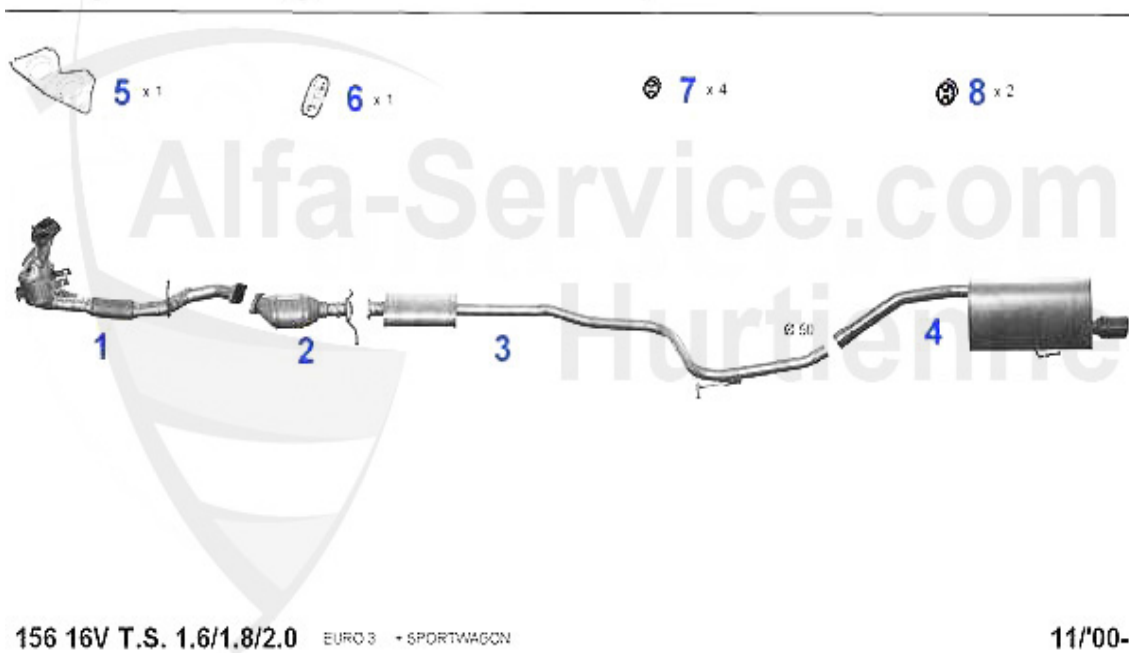


156 16V T.S. 1.6/1.8/2.0 EURO 2 + SPORTWAGON

10/97-

1	VSD116401 Vorschalldämpfer 156 1.6-1.8 16V TS (außer Selespeed) Bj. 97> Abgasnorm euro 2	232.05 EUR
2	KAT116433 Katalysator 156 1.6-2.0 16V TS bj. 97> (Abgasnorm euro 2)	946.05 EUR
3	MR116404 Mittelrohr 156 1.6-2.0 16V TS bj. 97> (abgasnorm euro 2)	73.07 EUR
4	NSD116407 REAR SILENCER 156 1.6-2.0 16V TS 97>	165.01 EUR
5	SAT094474 Dichtung VSD spider/gtv (916) 145/6,155,156 2.0 TS 16V	10.77 EUR
6	SAT094484 Dichtung VSD/Kat Diverse	9.75 EUR
7	SAT091143 SILENT BLOC MUFFLER SUSPENSION SPIDER/ GTV (916),156,166,147 1.9JTD 8/16V	3.53 EUR
8	SAT091066 OE.60655991 rubber exhaust hanger 147/156	4.00 EUR

## Abgasanlage/Exhaust System 156 TS CF3

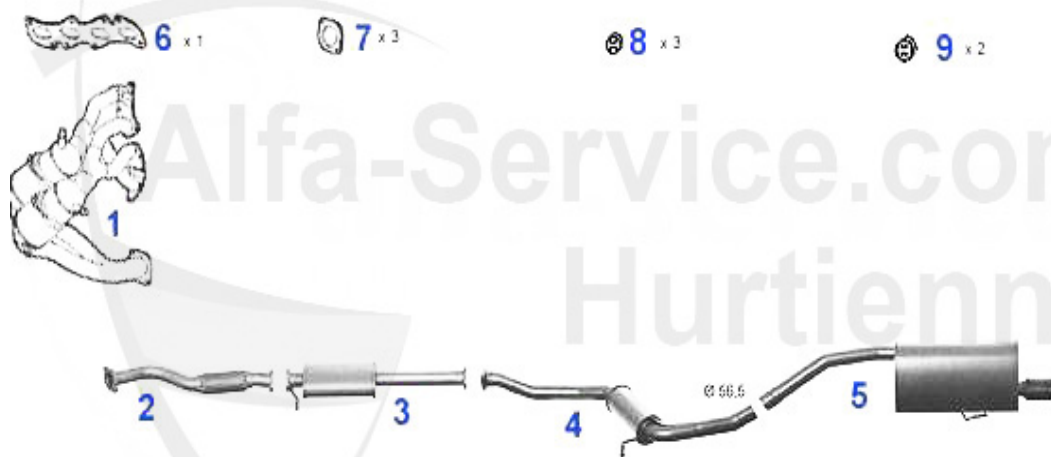


156 16V T.S. 1.6/1.8/2.0 EURO 3 -SPORTWAGON

11/00-

1	KAT09273 Hosenrohr mit Kat 147 1.6 TS (88KW)	750.93 EUR
1	KAT74247 OE. 60674247 EXHAUST PIPE 1st KATALYSATOR 156 1.8 TS CF3	983.50 EUR
1	KAT39668 OE. 46739668 EXHAUST PIPE/1ST KAT 147 1.6(88KW)/2.0 TS 16V	995.09 EUR
2	KAT39666 OE. 46739666 SILENCER CATALIZED/2nd KAT 147 1.6(88KW)/2.0 TS 16V	902.76 EUR
3	MSD116406 CENTER MUFFLER 156 1.6-2.0 16V TS 00> CF3,Nuovo GT 1.8 TS	193.89 EUR
4	NSD116407 REAR SILENCER 156 1.6-2.0 16V TS 97>	165.01 EUR
5	SAT094038 OE. 46803532 GASKET f. KAT 147,156,916 you need 2 rings!	9.13 EUR
6	SAT74963 Dichtung Kat 147 1.6 TS (88KW),156/ SW,gtv/spider (916) TS	11.19 EUR
7	SAT091143 SILENT BLOC MUFFLER SUSPENSION SPIDER/ GTV (916),156,166,147 1.9JTD 8/16V	3.53 EUR
8	SAT091066 OE.60655991 rubber exhaust hanger 147/156	4.00 EUR

## Abgasanlage/Exhaust System 156 2.0 JTS



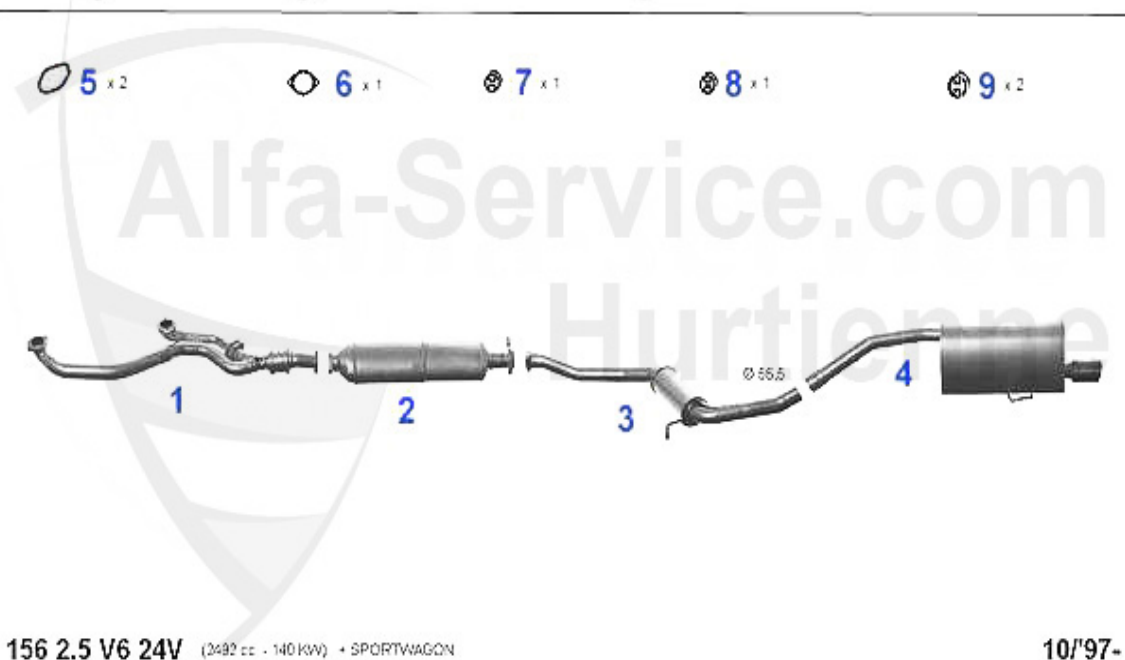
156 2.0 JTS 16V (1970 cc - 122 kW - Mot 937A1000) - SPORTWAGEN

3/02-

1	KAT80214 OE. 55180214 EXHAUST PIPE/KATALYSATOR 156/SW JTS	1465.00 EUR
2	VR116545 FRONT MUFFLER 156/GTV/SPIDER (916)/NUOVO GT 2.0 JTS	184.65 EUR
3	KAT116503 CENTER CATALYST 156/NUOVO GT 2.0 JTS	719.13 EUR
4	MSD116506 Mitteltopf 156 2.0 JTS 16V bj. 02> 156 2.5 V6 bj. 97>/Nuovo GT 2.0 JTS	127.00 EUR
5	NSD116507 REAR SILENCER 156 2.5 V6 24V 97- 156 2.0 JTS 16V 02>	229.00 EUR
6	AGKD02761 EXHAUST MANIFOLD GASKET 145/6,147,155, 156,166,GTV/SPIDER (916) TS/JTS 16 V STARTING FROM YEAR 1998	24.00 EUR
7	SAT094484 Dichtung VSD/Kat Diverse	9.75 EUR
8	SAT091143 SILENT BLOC MUFFLER SUSPENSION SPIDER/ GTV (916),156,166,147 1.9JTD 8/16V	3.53 EUR
9	SAT091066 OE.60655991 rubber exhaust hanger 147/156	4.00 EUR



## Abgasanlage/Exhaust System 156 V6 24V

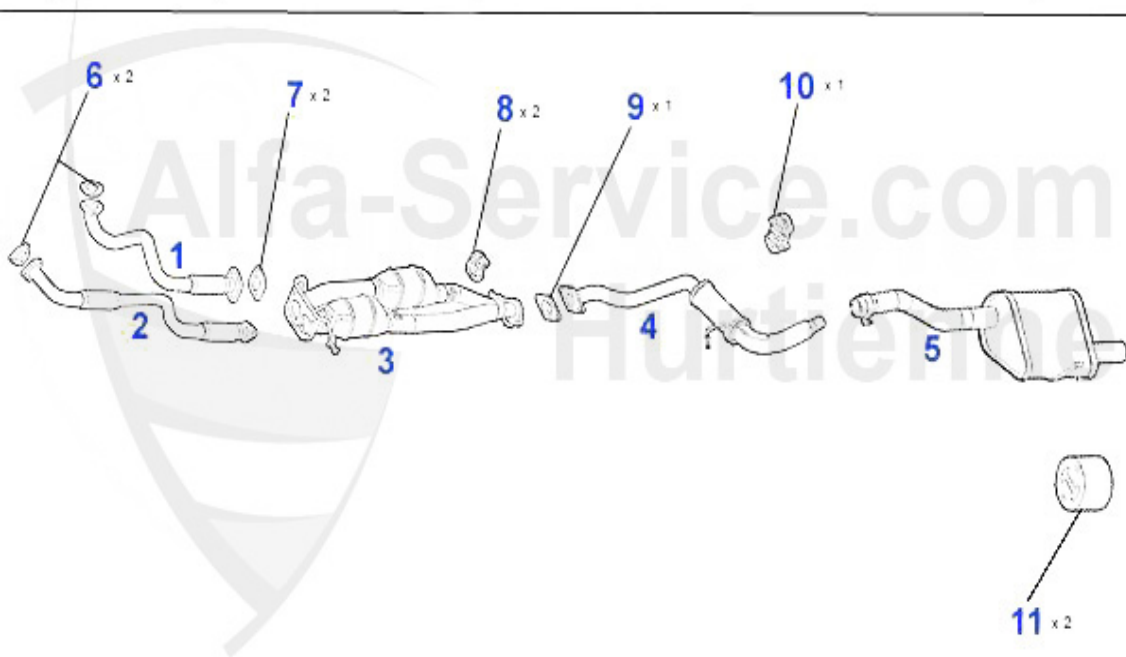


156 2.5 V6 24V (2492 cc - 140 kW) + SPORTWAGON

10/97-

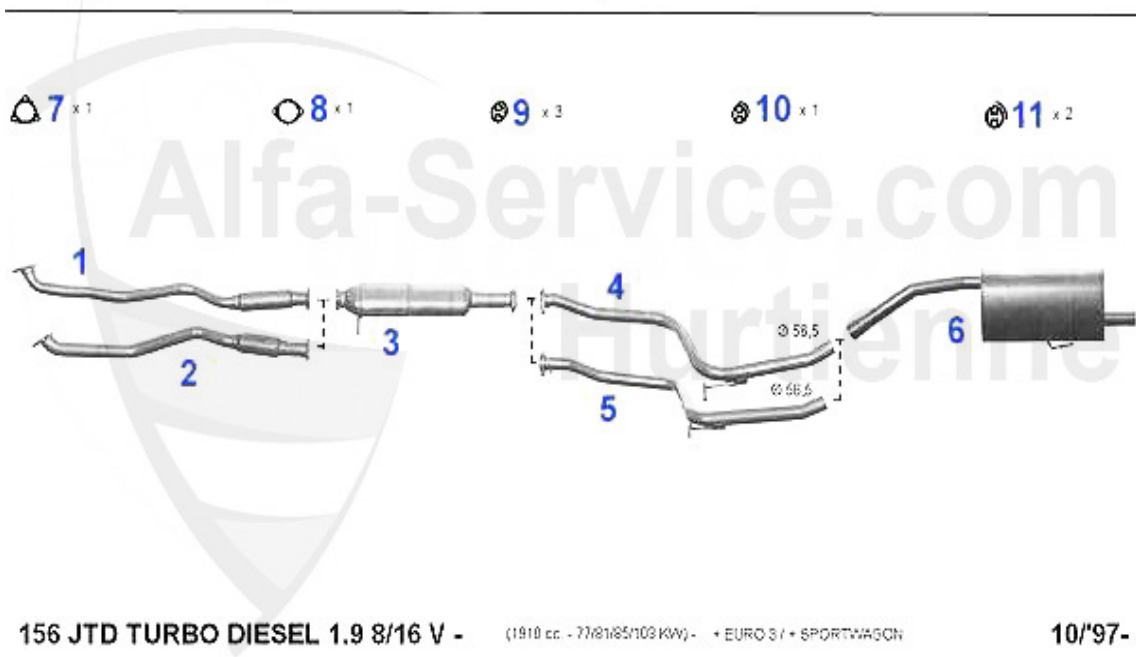
1	VR52860	FRONT MUFFLER 156/SW 2.5 V6 24V (manual transmission)	430.05 EUR
1	VR58227	OE. 60658227 EXHAUST PIPE 156/SW 2.5 V6 24V AUTOMATIC TRANSMISSION	435.99 EUR
2	KAT116533	CATALYST 156 2.5 V6 97>	816.59 EUR
3	MSD116506	Mitteltopf 156 2.0 JTS 16V bj. 02> 156 2.5 V6 bj. 97>/Nuovo GT 2.0 JTS	127.00 EUR
4	NSD116507	REAR SILENCER 156 2.5 V6 24V 97- 156 2.0 JTS 16V 02>	229.00 EUR
5	SAT54239	GASKET 156,164 SUPER,166,GTV/SPIDER (916) V6 24V (OE 60654239)	10.14 EUR
6	SAT094484	Dichtung VSD/Kat Diverse	9.75 EUR
7	SAT091143	SILENT BLOC MUFFLER SUSPENSION SPIDER/ GTV (916),156,166,147 1.9JTD 8/16V	3.53 EUR
9	SAT091066	OE.60655991 rubber exhaust hanger 147/156	4.00 EUR

Abgasanlage/Exhaust System 156 2.5 V6 24V/GTA Bj. 02>



1	VR69658	OE. 60669658 EXHAUST PIPE FR 147 GTA	265.70 EUR
2	VR69659	OE. 60669659 EXHAUST PIPE FL 147 GTA	327.25 EUR
3	KAT76395	OE. 60676395 SILENCER CATALIZED 156/SW GTA	1200.26 EUR
3	KAT70266	OE. 60670266 SILENCER CATALIZED 156/SW 2.5 V6 24V 2002>	1282.33 EUR
4	MSD116506	Mitteltopf 156 2.0 JTS 16V bj. 02> 156 2.5 V6 bj. 97>/Nuovo GT 2.0 JTS	127.00 EUR
4	MSD76396	OE. 60676396 MIDDLE SILENCER 156/SW GTA	399.00 EUR
5	NSD116507	REAR SILENCER 156 2.5 V6 24V 97- 156 2.0 JTS 16V 02>	229.00 EUR
5	NSD76397	OE. 60676397 REAR SILENCER 156/SW GTA	650.00 EUR
6	SAT69665	OE. 60669665 SEALING GASKET f. EXHAUST PIPE 147,156,166,Nuovo GT V6 24V/GTA	7.18 EUR
7	SAT094484	Dichtung VSD/Kat Diverse	9.75 EUR
8	SAT091143	SILENT BLOC MUFFLER SUSPENSION SPIDER/ GTV (916),156,166,147 1.9JTD 8/16V	3.53 EUR
10	SAT091066	OE.60655991 rubber exhaust hanger 147/156	4.00 EUR

## Abgasanlage/Exhaust System 156 1.9 JTD 8V



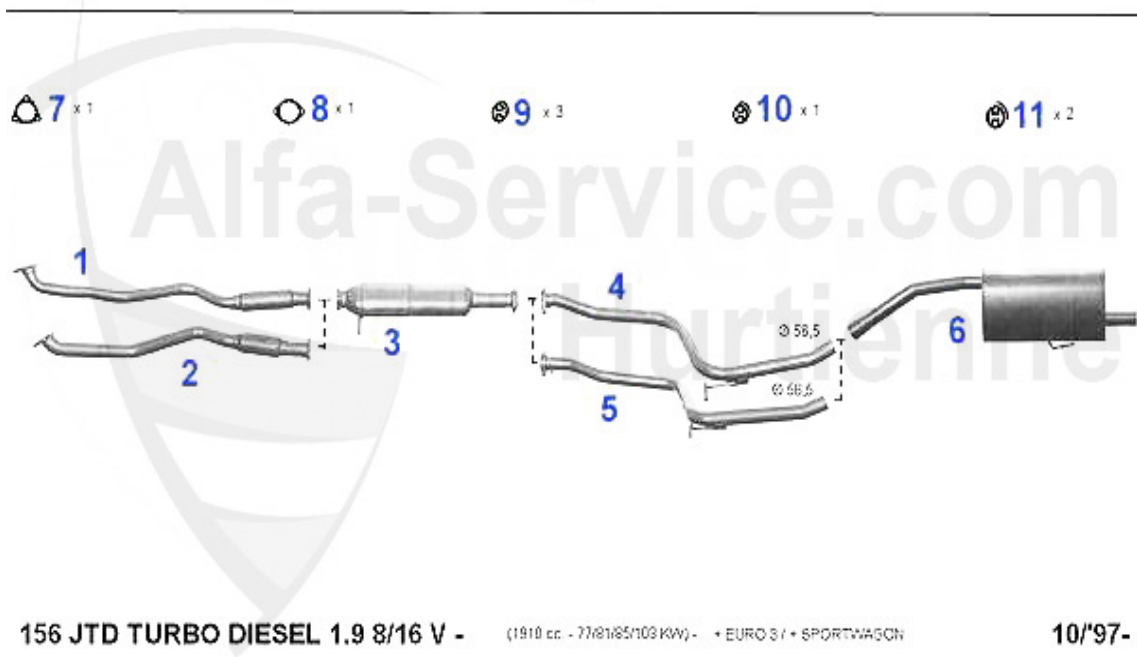
156 JTD TURBO DIESEL 1.9 8/16 V -

(1910 cc. - 77/81/85/103 KW) - + EURO 3 / + SPORTWAGON

10/97-

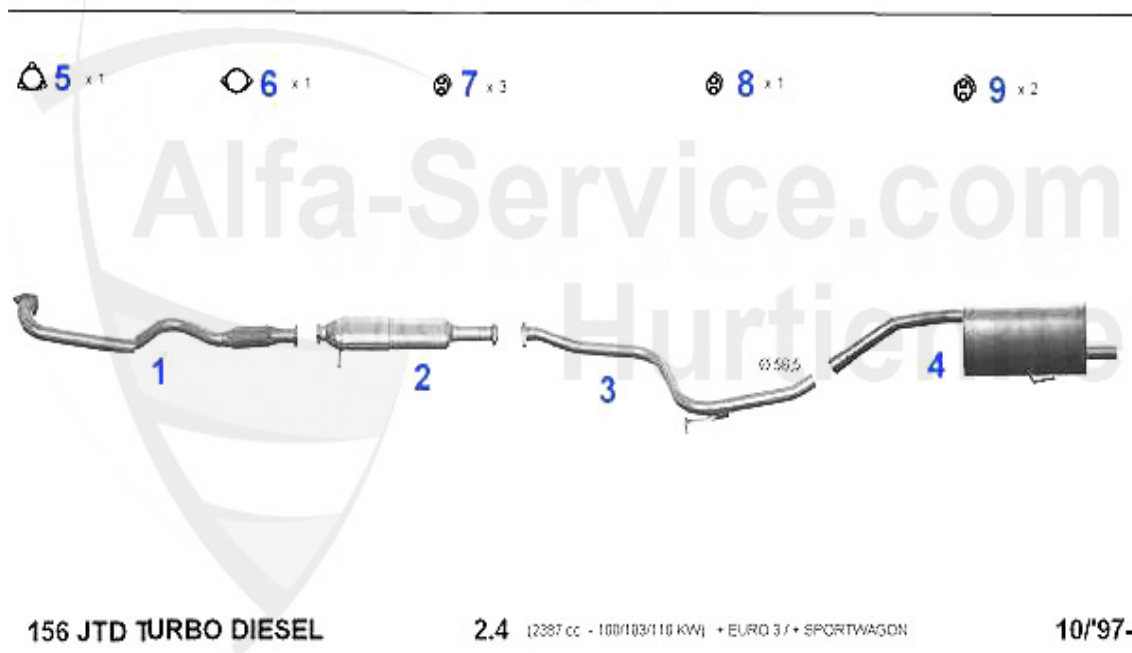
1	VSD116601 Vorschalldämpfer 156 1.9 JTD bj. 97> bis # 0434143	222.51 EUR
2	VSD116631 Vorschalldämpfer 147 1.9 JTD bj. 10.00> 156 1.9 JTD bj. 97> ab # 0434143	219.02 EUR
3	KAT116633 CENTER CATALYST 147 1.9 JTD,156 1.9 & 2.4 JTD 97>	692.97 EUR
4	MR116604 Mittelrohr 156 1.9 & 2.4 JTD 1.9 JTD bis # 0434143	101.15 EUR
5	MR116634 Mittelrohr 156 1.9 JTD ab # 0434143 Nuovo GT 1.9 JTD CF3/4	108.33 EUR
6	NSD116607 REAR SILENCER 156 1.9 & 2.4 JTD 97>	193.38 EUR
7	SAT094560 GASKET FRONT MUFFLER 145/6,156,166 JTD	4.62 EUR
8	SAT094484 Dichtung VSD/Kat Diverse	9.75 EUR
9	SAT091143 SILENT BLOC MUFFLER SUSPENSION SPIDER/ GTV (916),156,166,147 1.9JTD 8/16V	3.53 EUR
10	SAT091066 OE.60655991 rubber exhaust hanger 147/156	4.00 EUR

## Abgasanlage/Exhaust System 156 1.9 JTD 16V



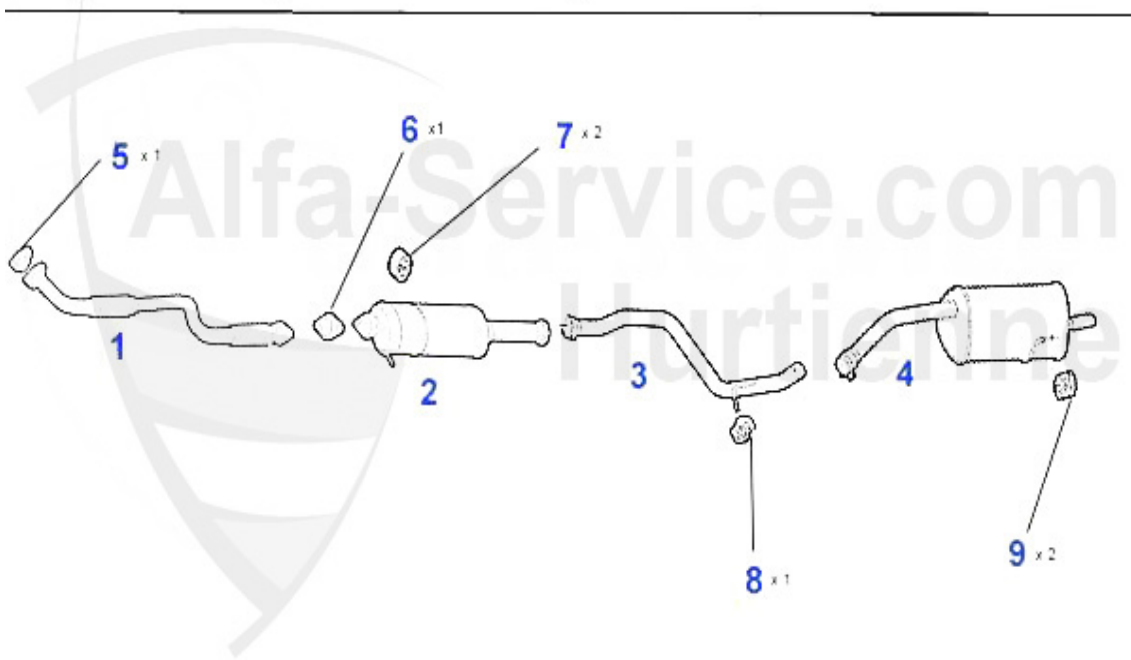
1	VSD116601 Vorschalldämpfer 156 1.9 JTD bj. 97> bis # 0434143	222.51 EUR
2	VSD116631 Vorschalldämpfer 147 1.9 JTD bj. 10.00> 156 1.9 JTD bj. 97> ab # 0434143	219.02 EUR
3	KAT116633 CENTER CATALYST 147 1.9 JTD,156 1.9 & 2.4 JTD 97>	692.97 EUR
4	MR116604 Mittelrohr 156 1.9 & 2.4 JTD 1.9 JTD bis # 0434143	101.15 EUR
5	MR116634 Mittelrohr 156 1.9 JTD ab # 0434143 Nuovo GT 1.9 JTD CF3/4	108.33 EUR
6	NSD116607 REAR SILENCER 156 1.9 & 2.4 JTD 97>	193.38 EUR
7	SAT094560 GASKET FRONT MUFFLER 145/6,156,166 JTD	4.62 EUR
8	SAT094484 Dichtung VSD/Kat Diverse	9.75 EUR
9	SAT091143 SILENT BLOC MUFFLER SUSPENSION SPIDER/ GTV (916),156,166,147 1.9JTD 8/16V	3.53 EUR
10	SAT091066 OE.60655991 rubber exhaust hanger 147/156	4.00 EUR

## Abgasanlage/Exhaust System 156 2.4 JTD 10V



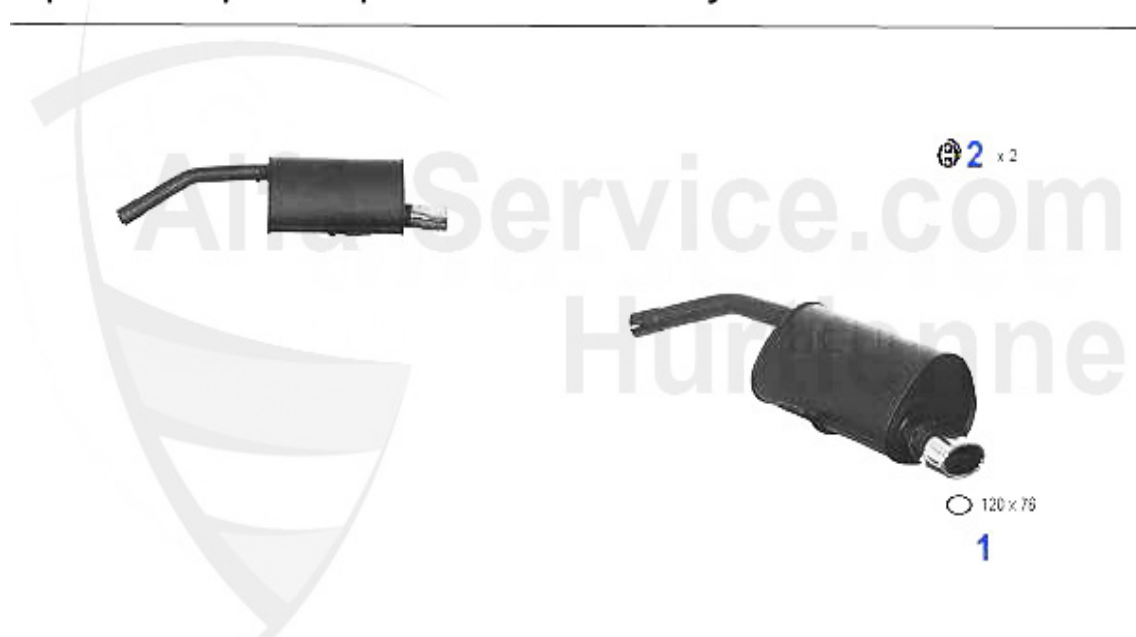
1	VSD116621 Vorschalldämpfer 156 2.4 JTD bj. 97>	214.40 EUR
2	KAT116633 CENTER CATALYST 147 1.9 JTD,156 1.9 & 2.4 JTD 97>	692.97 EUR
3	MR116604 Mittelrohr 156 1.9 & 2.4 JTD 1.9 JTD bis # 0434143	101.15 EUR
4	NSD116607 REAR SILENCER 156 1.9 & 2.4 JTD 97>	193.38 EUR
5	SAT094560 GASKET FRONT MUFFLER 145/6,156,166 JTD	4.62 EUR
6	SAT094484 Dichtung VSD/Kat Diverse	9.75 EUR
7	SAT091143 SILENT BLOC MUFFLER SUSPENSION SPIDER/ GTV (916),156,166,147 1.9JTD 8/16V	3.53 EUR
8	SAT091066 OE.60655991 rubber exhaust hanger 147/156	4.00 EUR

## Abgasanlage/Exhaust System 156 2.4 JTD 20V



1	VR90242	OE. 55190242 EXHAUST PIPE 156/SW 2.4 JTD 20V	***
2	KAT85208	OE. 55185208 SILENCER CATALIZED 156/SW 2.4 JTD 20V	866.86 EUR
3	MR116604	Mittelrohr 156 1.9 & 2.4 JTD 1.9 JTD bis # 0434143	101.15 EUR
4	NSD85211	OE. 55185211 REAR SILENCER 156/SW 2.4 JTD 20V	282.11 EUR
5	SAT094560	GASKET FRONT MUFFLER 145/6,156,166 JTD	4.62 EUR
6	SAT094484	Dichtung VSD/Kat Diverse	9.75 EUR
7	SAT091143	SILENT BLOC MUFFLER SUSPENSION SPIDER/ GTV (916),156,166,147 1.9JTD 8/16V	3.53 EUR
8	SAT091066	OE.60655991 rubber exhaust hanger 147/156	4.00 EUR

## Sportauspuff/Sport Exhaust System 156 TS CF2

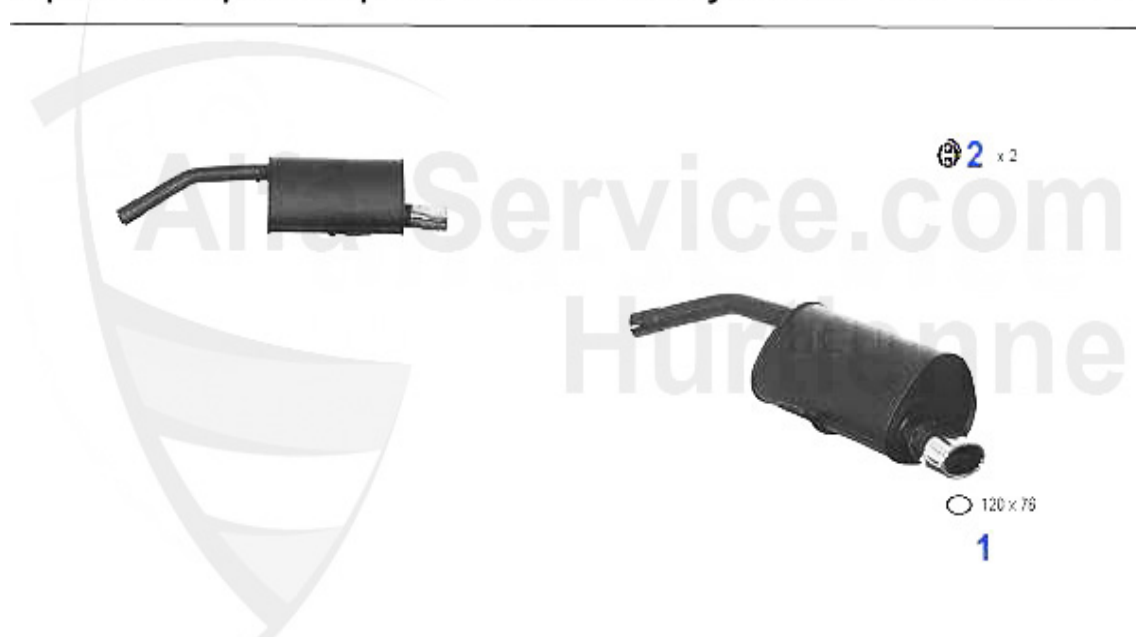


156 16V T.S. 1.6/1.8/2.0 + EURO 3 + SPORTWAGON

10/'97-

1	SNSD1164 Sport-Endtopf 156 1.6/1.8/2.0 16VTS Endrohr verchromt oval 120x76 mm	259.00 EUR
2	SAT091066 OE.60655991 rubber exhaust hanger 147/156	4.00 EUR

## Sportauspuff/Sport Exhaust System 156 TS CF3



156 16V T.S. 1.6/1.8/2.0 + EURO 3 + SPORTWAGON

10/'97-

1	SNSD1164 Sport-Endtopf 156 1.6/1.8/2.0 16VTS Endrohr verchromt oval 120x76 mm	259.00 EUR
2	SAT091066 OE.60655991 rubber exhaust hanger 147/156	4.00 EUR



## Sportauspuff/Sport Exhaust System 156 2.0 JTS

---



156 2.0 JTS 16V - 2.5 V6 24V - JTD TURBO DIESEL 1.9/2.4

10/'97-

1	SNSD1165 Sport-Endtopf 156 JTS/JTD/V6 24V Endrohr oval verchromt 120x76 mm	318.00 EUR
2	SAT091066 OE.60655991 rubber exhaust hanger 147/156	4.00 EUR

Sportauspuff/Sport Exhaust System 156 2.5 V6 24V

---



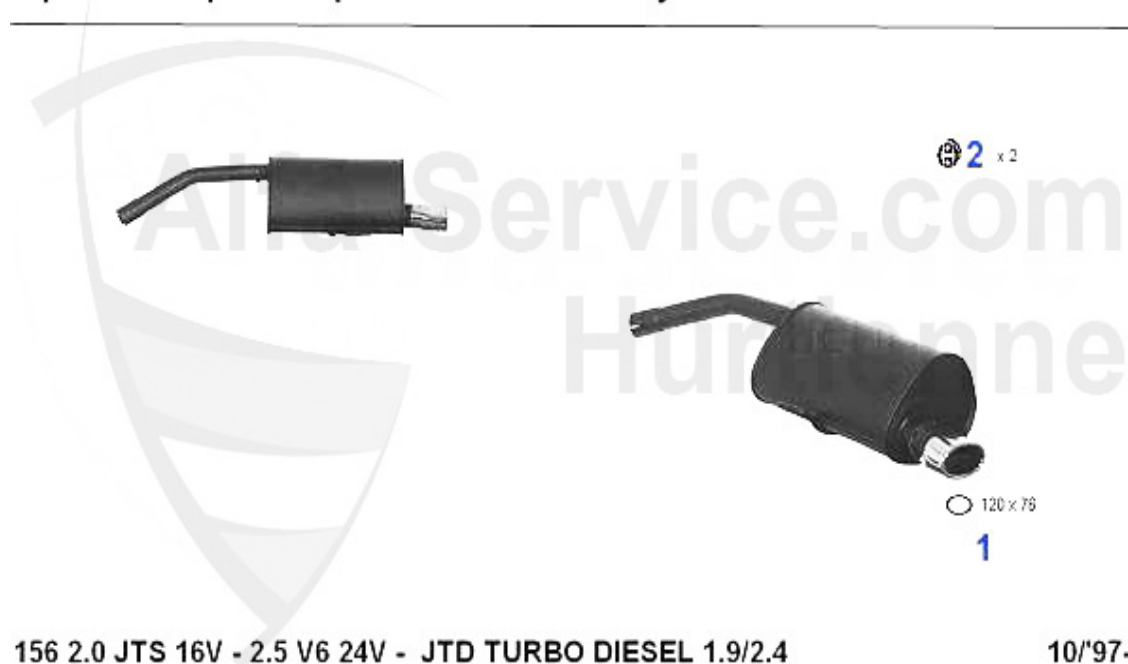
156 2.0 JTS 16V - 2.5 V6 24V - JTD TURBO DIESEL 1.9/2.4

10/'97-

1	SNSD1165 Sport-Endtopf 156 JTS/JTD/V6 24V Endrohr oval verchromt 120x76 mm	318.00 EUR
2	SAT091066 OE.60655991 rubber exhaust hanger 147/156	4.00 EUR

## Sportauspuff/Sport Exhaust System 156 1.9 JTD 8V

---



156 2.0 JTS 16V - 2.5 V6 24V - JTD TURBO DIESEL 1.9/2.4

10/'97-

1	SNSD1165 Sport-Endtopf 156 JTS/JTD/V6 24V Endrohr oval verchromt 120x76 mm	318.00 EUR
2	SAT091066 OE.60655991 rubber exhaust hanger 147/156	4.00 EUR

Sportauspuff/Sport Exhaust System 156 1.9 JTD 16V

---



1	SNSD1165 Sport-Endtopf 156 JTS/JTD/V6 24V Endrohr oval verchromt 120x76 mm	318.00 EUR
2	SAT091066 OE.60655991 rubber exhaust hanger 147/156	4.00 EUR

## Sportauspuff/Sport Exhaust System 156 2.4 JTD 10V

---

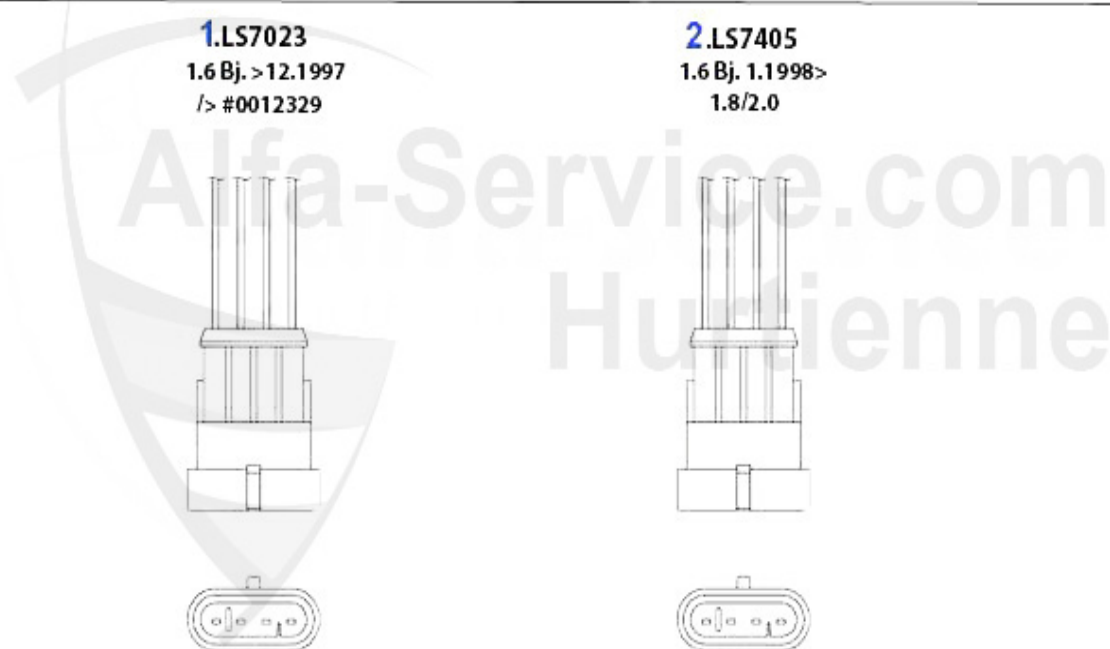


156 2.0 JTS 16V - 2.5 V6 24V - JTD TURBO DIESEL 1.9/2.4

10/'97-

1	SNSD1165 Sport-Endtopf 156 JTS/JTD/V6 24V Endrohr oval verchromt 120x76 mm	318.00 EUR
2	SAT091066 OE.60655991 rubber exhaust hanger 147/156	4.00 EUR

## Lambda-Sonde/Lambda Probe 156 TS CF2



**1.LS7023**

1.6 Bj. >12.1997

/> #0012329

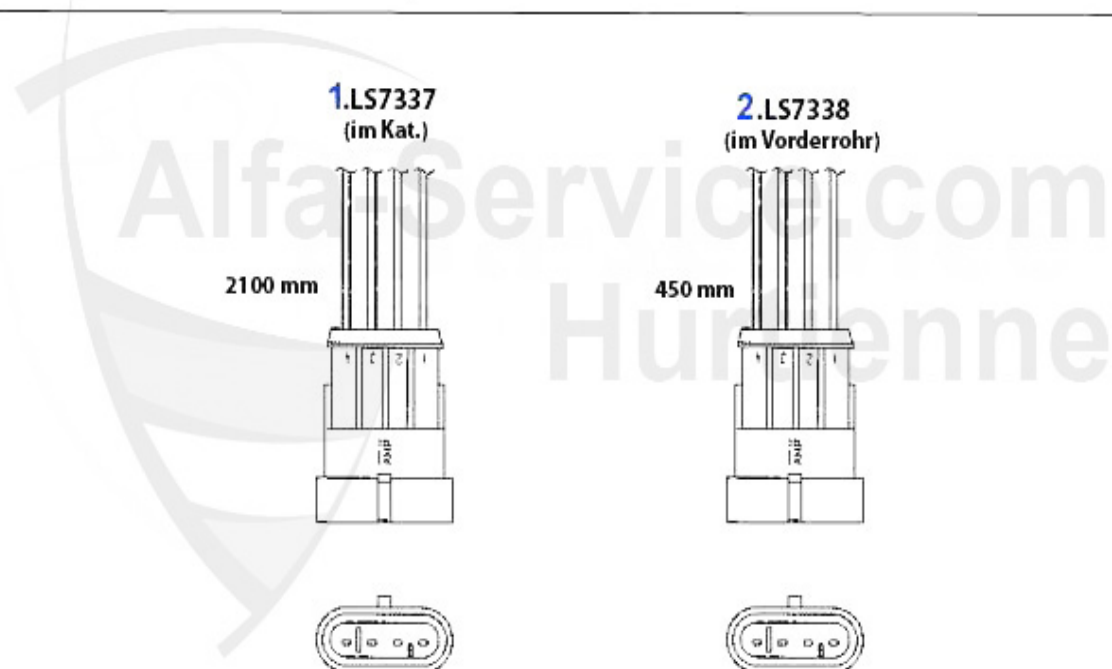
**2.LS7405**

1.6 Bj. 1.1998>

1.8/2.0

<b>1</b>	<b>LS7023</b>	Lambda-Sonde 145/6 2.0 16V TS bj. 11.96>,156 1.6 16V TS ># 0023373, 164 Super 2.0 TS/3.0 V6/24V bj. 10.96>,Spider/gtv (916) 2.0 TS/3.0 V6/24V	<b>78.99 EUR</b>
<b>2</b>	<b>LS7405</b>	LAMBDA PROBE 145/6 1.4/1.6/1.8/16V TS/2.0 QV,156 1.6 16V TS #0023373> 156 1.8/2.0/16V TS/2.5 V6 24V,166 6-CYL.,SPIDER/GTV (916) 1.8/ FOUR-CORE CABLE	<b>127.00 EUR</b>

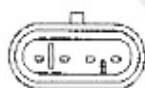
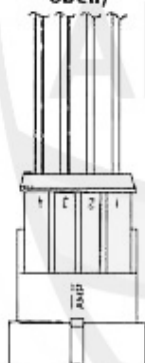
## Lambda-Sonde/Lambda Probe 156 TS CF3



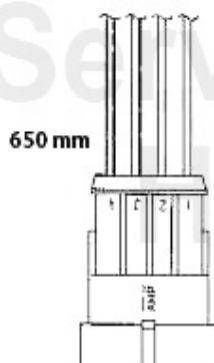
1	LS7337	OE. 46760863 LAMBDA PROBE 147,156 1.6 (88KW)/1.8 (103KW)/2.0 (110KW)	59.00 EUR
2	LS7338	Lambda-Sonde 147 1.6/2.0 16V TS, 156 1.6/1.8/2.0 16V TS/2.5 V6 24V, 3.2 GTA,166 2.0 16V TS,gtv/spider (916) 2.0 TS bj. 08.00> 4-adrig	112.85 EUR

## Lambda-Sonde/Lambda Probe 156 2.0 JTS

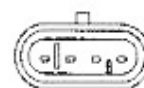
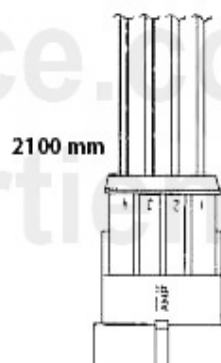
1. LS 811311  
/LS 198785  
(im Vorderrohr  
oben)



2. LS7212  
(im Vorderrohr  
unten)



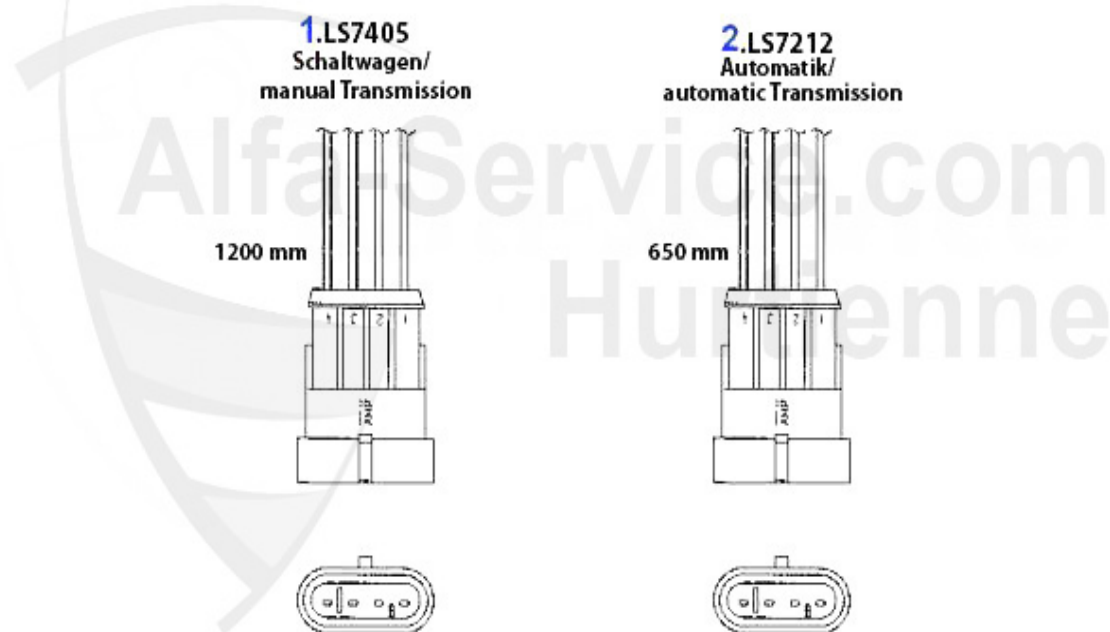
3. LS7337  
(im Kat.)



1	LS198785	OE. 55198785 LAMBDA PROBE 156 2.0 JTS FRONT PIPE TOP	112.85 EUR
1	LS811311	OE. 46811311 LAMBDA PROBE 156, 166, gtv/spider (916), Nuovo GT 2.0 TS CF3/ JTS >05.2005	149.00 EUR
2	LS7212	Lambda-Sonde 147 1.6 16V TS, 156 2.0 JTS/2.5 V, 166 2.0 TS, gtv/spider (916) 3.0 V6 24V, 4-adrig	66.00 EUR
3	LS7337	OE. 46760863 LAMBDA PROBE 147, 156 1.6 (88KW)/1.8 (103KW)/2.0 (110KW)	59.00 EUR

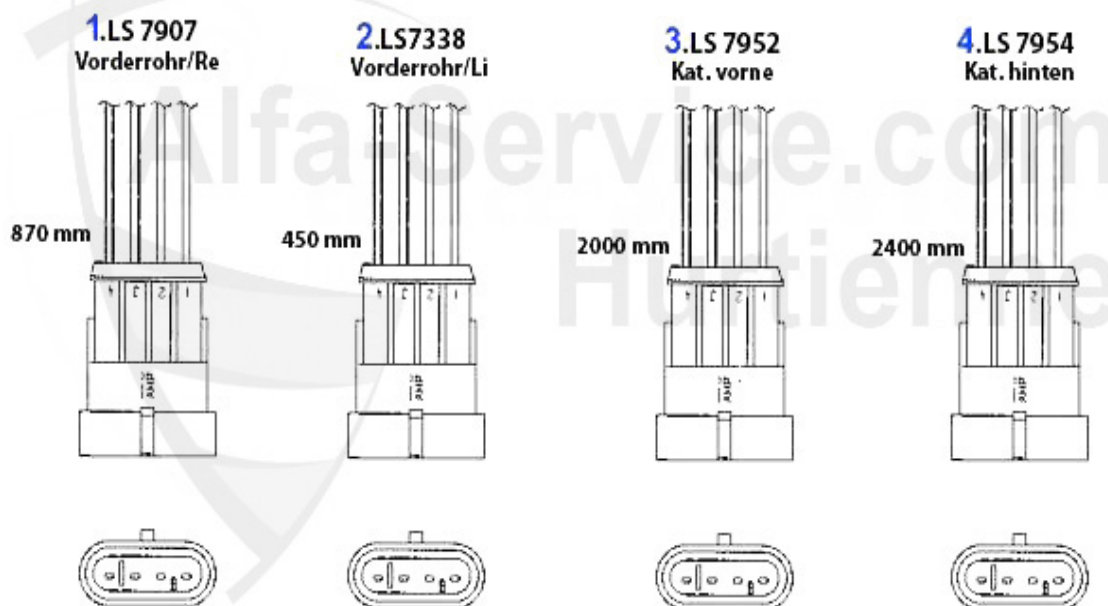


## Lambda-Sonde/Lambda Probe 156 2.5 V6 24V Bj. >02

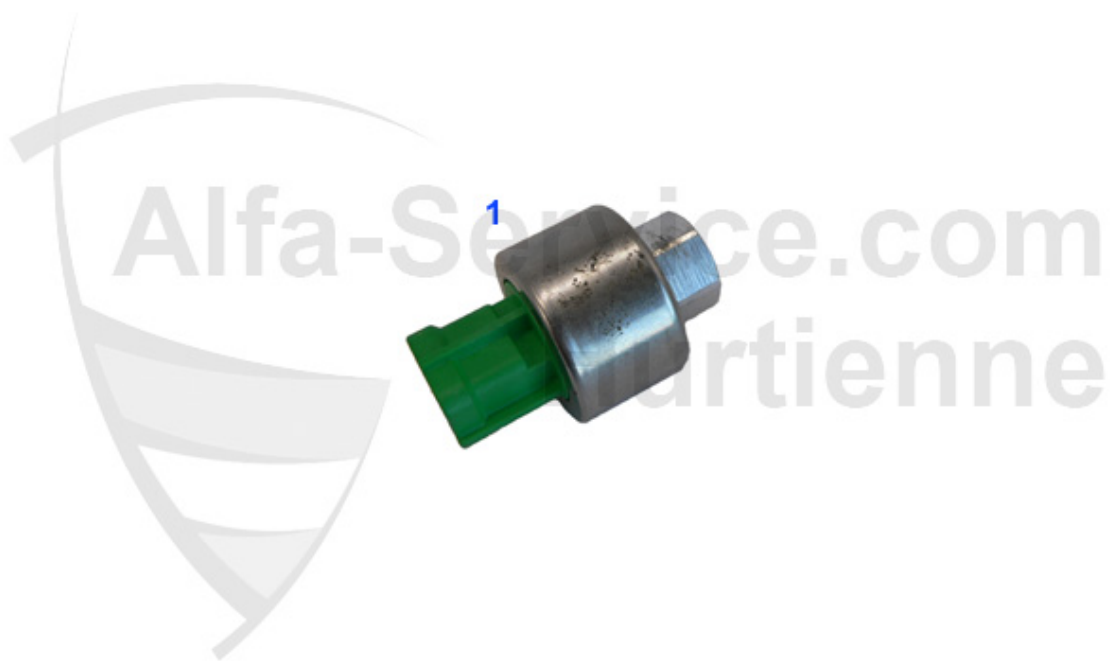


1	LS7405	LAMBDA PROBE 145/6 1.4/1.6/1.8/16V TS/2.0 QV,156 1.6 16V TS #0023373> 156 1.8/2.0/16V TS/2.5 V6 24V,166 6-CYL.,SPIDER/GTV (916) 1.8/ FOUR-CORE CABLE	127.00 EUR
2	LS7212	Lambda-Sonde 147 1.6 16V TS,156 2.0 JTS/2.5 V,166 2.0 TS,gtv/spider (916) 3.0 V6 24V,4-adrig	66.00 EUR

Lambda-Sonde/Lambda Probe 156 2.5 V6 24V/GTA CF3 Bj. 02>



1	LS7907	Lambda-Sonde 147 GTA,156 2.5 V6 24V bj. 10.00>/3.2 GTA,gtv/spider (916) 3.2 V6 24V,GT Nuovo 3.2 V6 24V 4-adrig	108.00 EUR
2	LS7338	Lambda-Sonde 147 1.6/2.0 16V TS, 156 1.6/1.8/2.0 16V TS/2.5 V6 24V, 3.2 GTA,166 2.0 16V TS,gtv/spider (916) 2.0 TS bj. 08.00> 4-adrig	112.85 EUR
3	LS7952	Lambda-Sonde 147 GTA,156 2.5 V6 24V bj. 01.02>/3.2 GTA,GT Nuovo 3.2 V6 24V,gtv/spider 3.2 V6 24V,4-adrig	99.00 EUR
4	LS7954	Lambda-Sonde 147 GTA,156 2.5 V6 24V bj. 01.02>/ 3.2 GTA bj.03.02>,166 3.2 V6 24V, gtv/spider (916) 3.2 V6 24V, GT Nuovo 3.2 V6 24V,4-adrig	109.00 EUR

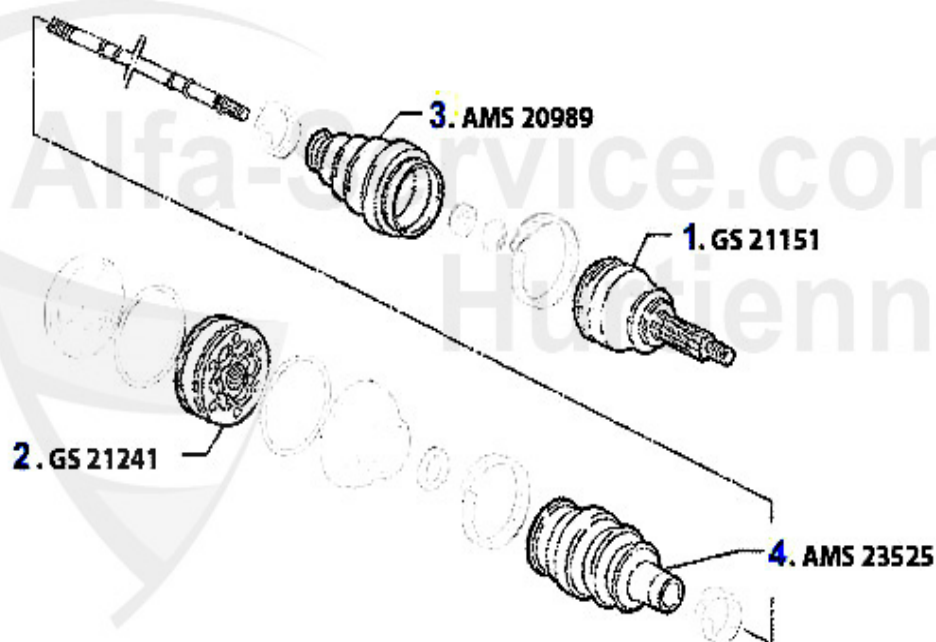


---

1 KS76438 PRESSURE SWITCH AIRCONDITIONING SYSTEM

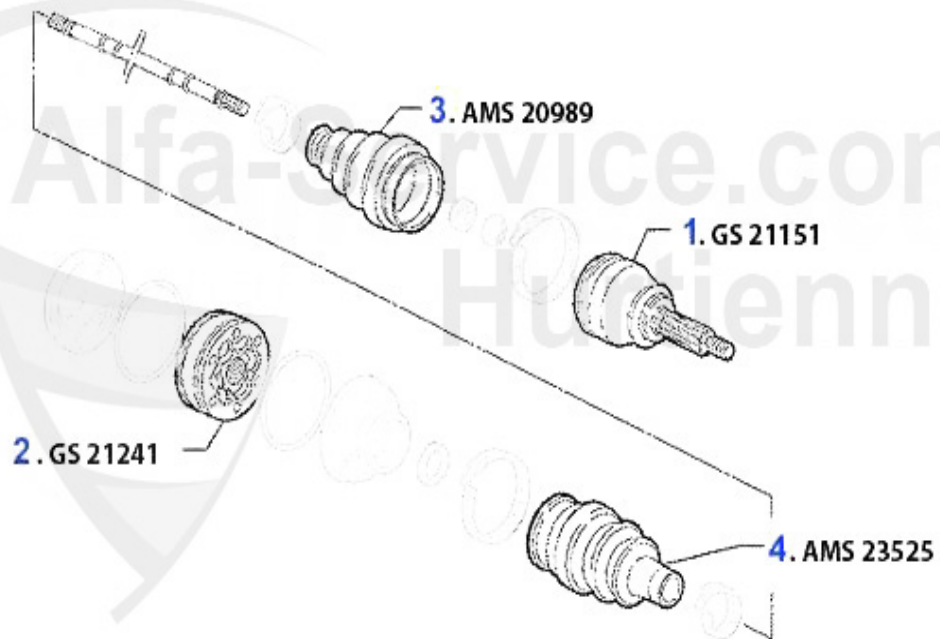
45.99 EUR

## Antriebswelle/Driveshaft 156 1.6/1.8 TS



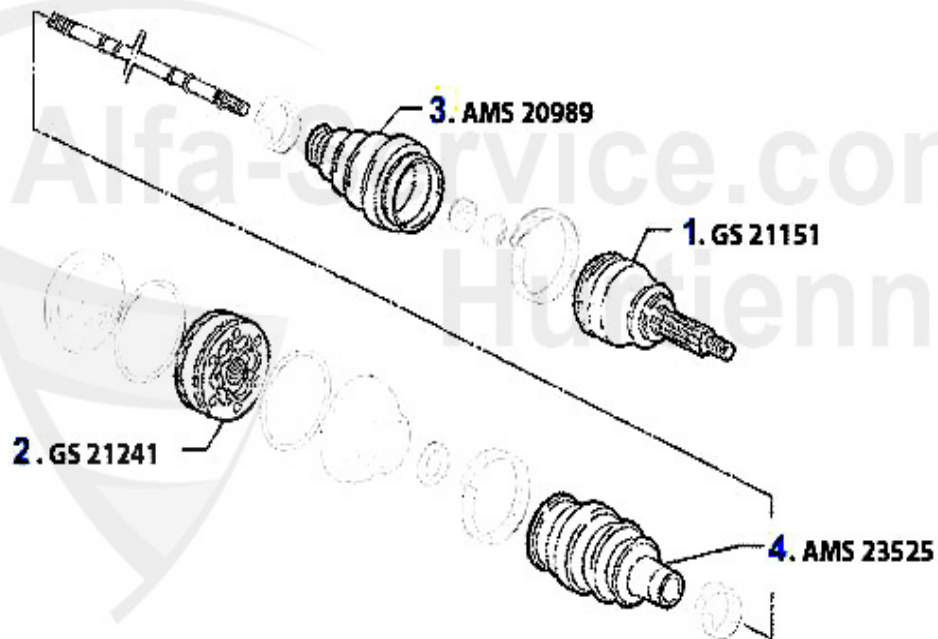
1	GS21151	Gelenksatz außen 156 1.8/1.8/2.0 16V TS,gtv (916) 1.8/2.0 TS/JTS Bj. 98>,Nuovo GT	119.00 EUR
2	GS21241	Inner drive shaft joint gtv/spider (916),155,145/6 TS 16V,156 TS 16V 166 2.0 TS,147 1.6/2.0 TS	111.72 EUR
3	AMS20989	OE.46429633, outer joint gaiter 145/6 147, 156, 166	17.90 EUR
4	AMS23525	Achsmanschettensatz innen 155 1,7/ 1.8/2.0/TS 16V,2.5 V6,1.9TD 164/Super 2.0 TS,145/6 TS 16V	25.55 EUR

## Antriebswelle/Driveshaft 156 2.0 TS



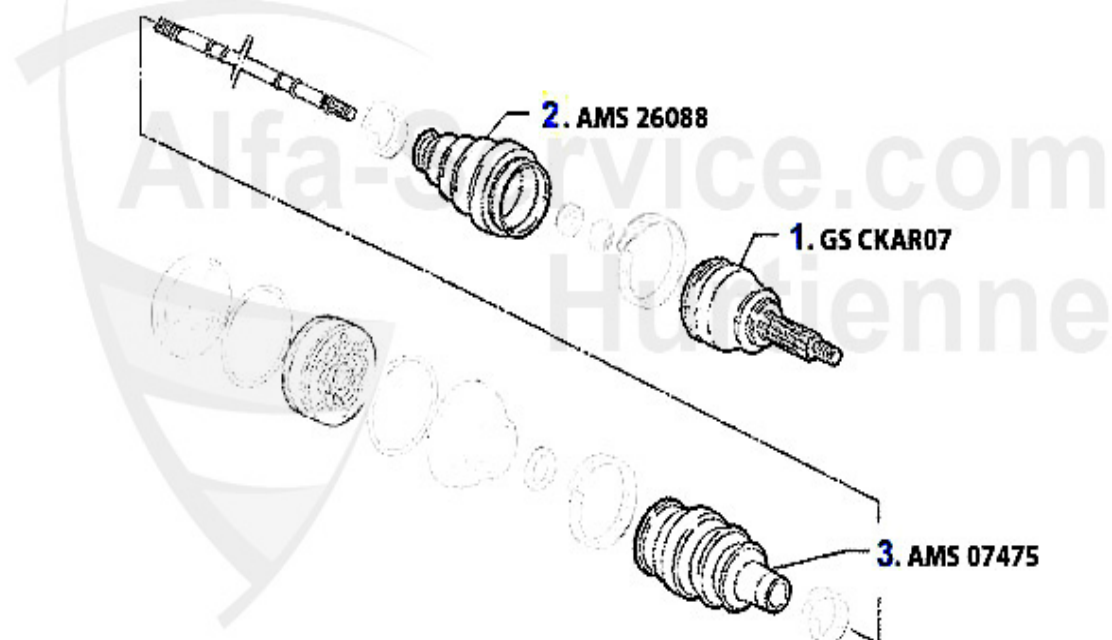
1	GS21151	Gelenksatz außen 156 1.8/1.8/2.0 16V TS,gtv (916) 1.8/2.0 TS/JTS Bj. 98>,Nuovo GT	119.00 EUR
2	GS21241	Inner drive shaft joint gtv/spider (916),155,145/6 TS 16V,156 TS 16V 166 2.0 TS,147 1.6/2.0 TS	111.72 EUR
3	AMS20989	OE.46429633, outer joint gaiter 145/6 147, 156, 166	17.90 EUR
4	AMS23525	Achsmanschettensatz innen 155 1,7/ 1.8/2.0/TS 16V,2.5 V6,1.9TD 164/Super 2.0 TS,145/6 TS 16V	25.55 EUR

## Antriebswelle/Driveshaft 156 2.0 JTS



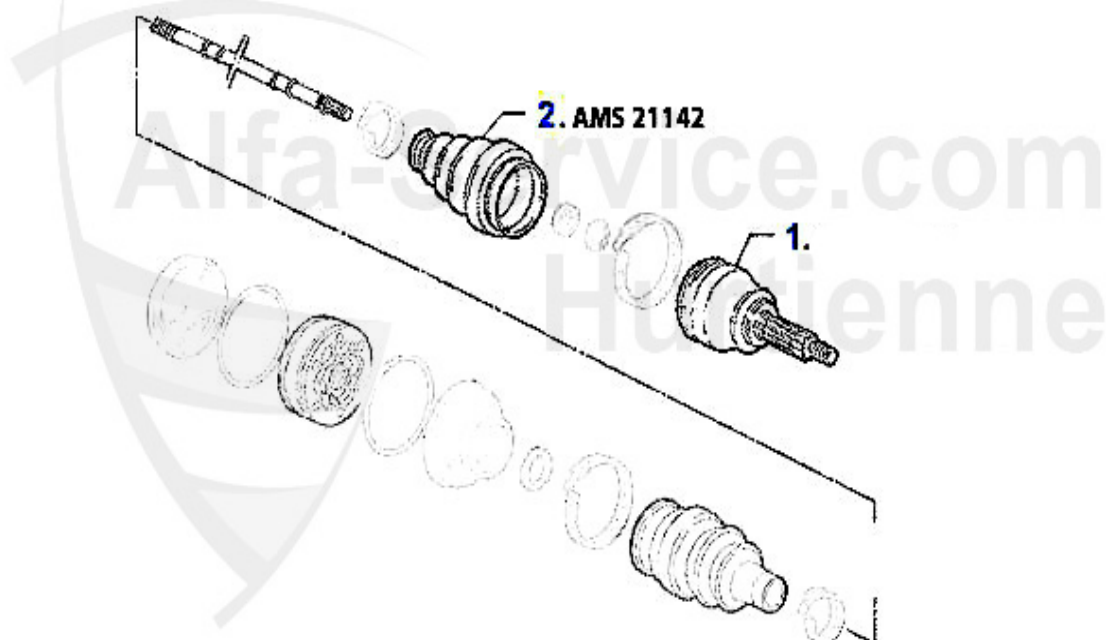
1	GS21151	Gelenksatz außen 156 1.8/1.8/2.0 16V TS,gtv (916) 1.8/2.0 TS/JTS Bj. 98>,Nuovo GT	119.00 EUR
2	GS21241	Inner drive shaft joint gtv/spider (916),155,145/6 TS 16V,156 TS 16V 166 2.0 TS,147 1.6/2.0 TS	111.72 EUR
3	AMS20989	OE.46429633, outer joint gaiter 145/6 147, 156, 166	17.90 EUR
4	AMS23525	Achsmanschettensatz innen 155 1,7/ 1.8/2.0/TS 16V,2.5 V6,1.9TD 164/Super 2.0 TS,145/6 TS 16V	25.55 EUR

## Antriebswelle/Driveshaft 156 2.5 V6 24V



1	GSKAR07 Gelenksatz au	125.66 EUR
2	AMS26088 OE. 60556609 Boot Set Wheel Side	15.01 EUR
3	AMS07475 OE. 46307475 BOOT SET 147 1.9 JTD 16V 156/SW V6 24V	22.47 EUR

## Antriebswelle/Driveshaft 156 3.2 V6 24V/GTA



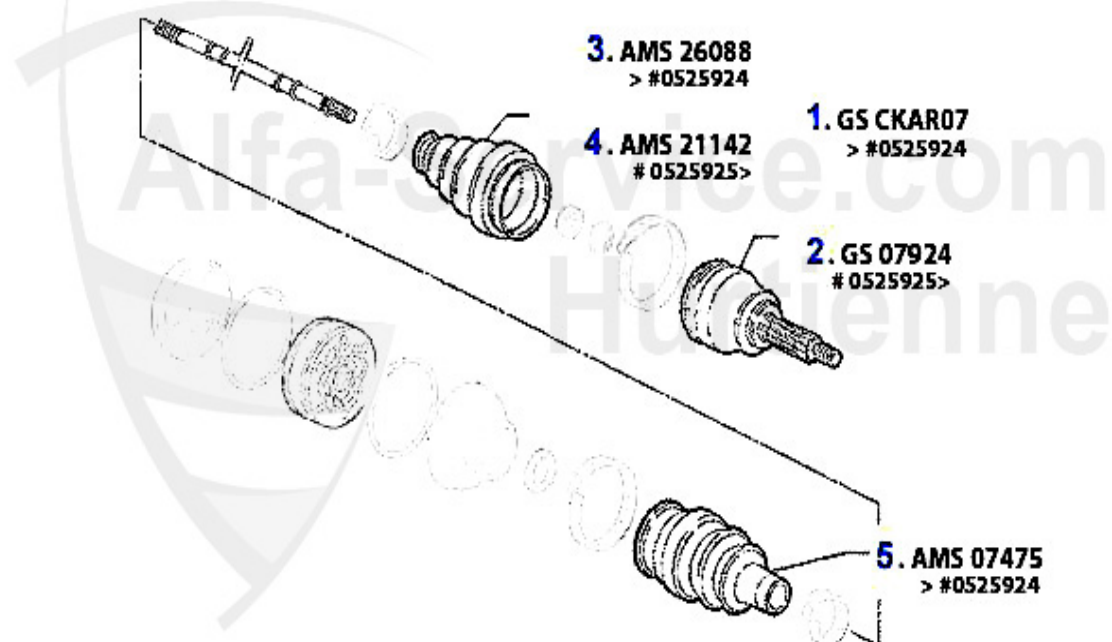
**1** GS07922 OE. 46307922 CONST.VELLOCITY JOI 147,156, Nuovo GT 3.2 V6 24V/GTA \*\*\*

**2** AMS21142 OE. 46307733 BOOT SET 147,156,gtv/spider (916),Nuovo GT 3.2 V6 24V/GTA

**20.42 EUR**

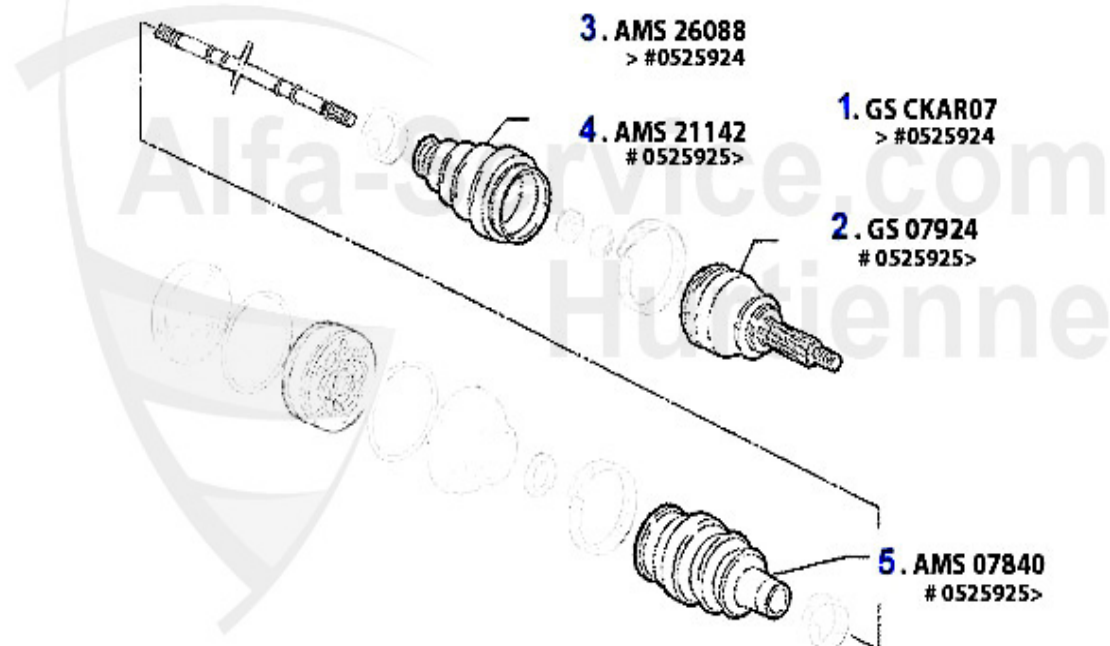


## Antriebswelle/Driveshaft 156 1.9 JTD 8V



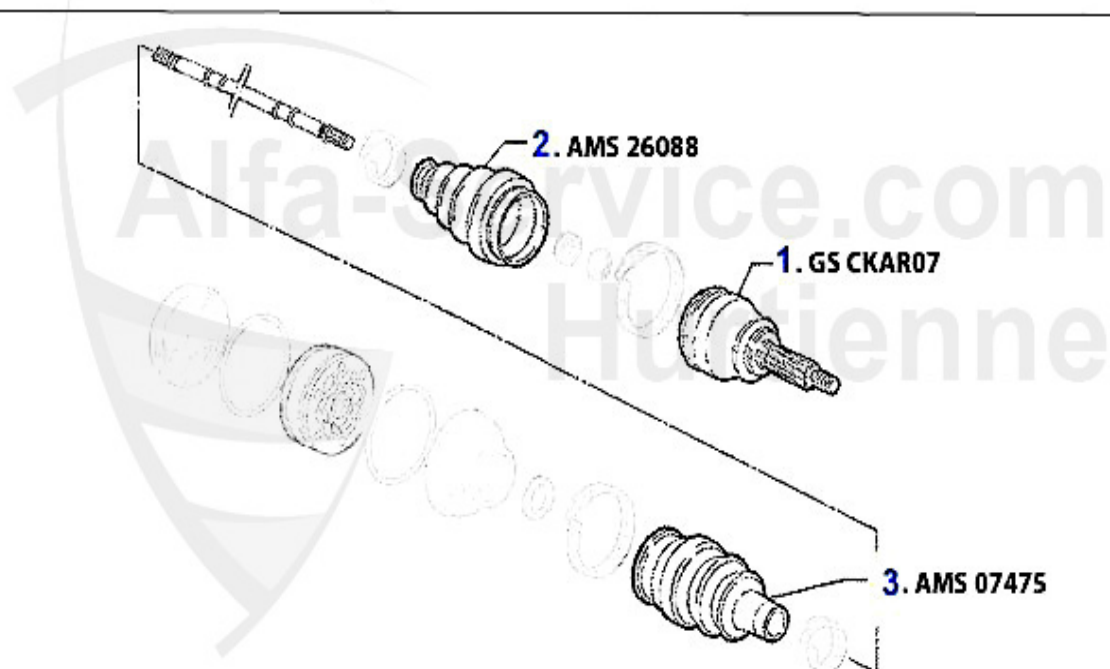
<b>2</b>	<b>GS07924</b>	OE. 46307924 CONST.VELLOCITY JOI 156 1.9 JTD 8V (85KW)	<b>142.60 EUR</b>
<b>3</b>	<b>AMS26088</b>	OE. 60556609 Boot Set Wheel Side	<b>15.01 EUR</b>
<b>4</b>	<b>AMS21142</b>	OE. 46307733 BOOT SET 147,156,gtv/spider (916),Nuovo GT 3.2 V6 24V/GTA	<b>20.42 EUR</b>
<b>5</b>	<b>AMS07475</b>	OE. 46307475 BOOT SET 147 1.9 JTD 16V 156/SW V6 24V	<b>22.47 EUR</b>

## Antriebswelle/Driveshaft 156 1.9 JTD 16V



<b>2</b>	<b>GS07924</b>	OE. 46307924 CONST.VELLOCITY JOI 156 1.9 JTD 8V (85KW)	<b>142.60 EUR</b>
<b>3</b>	<b>AMS26088</b>	OE. 60556609 Boot Set Wheel Side	<b>15.01 EUR</b>
<b>4</b>	<b>AMS21142</b>	OE. 46307733 BOOT SET 147,156,gtv/spider (916),Nuovo GT 3.2 V6 24V/GTA	<b>20.42 EUR</b>
<b>5</b>	<b>AMS07840</b>	OE. 46307840 BOOT SET 147 1.9 JTD # 3145308>	<b>21.44 EUR</b>

## Antriebswelle/Driveshaft 156 2.4 JTD 10V



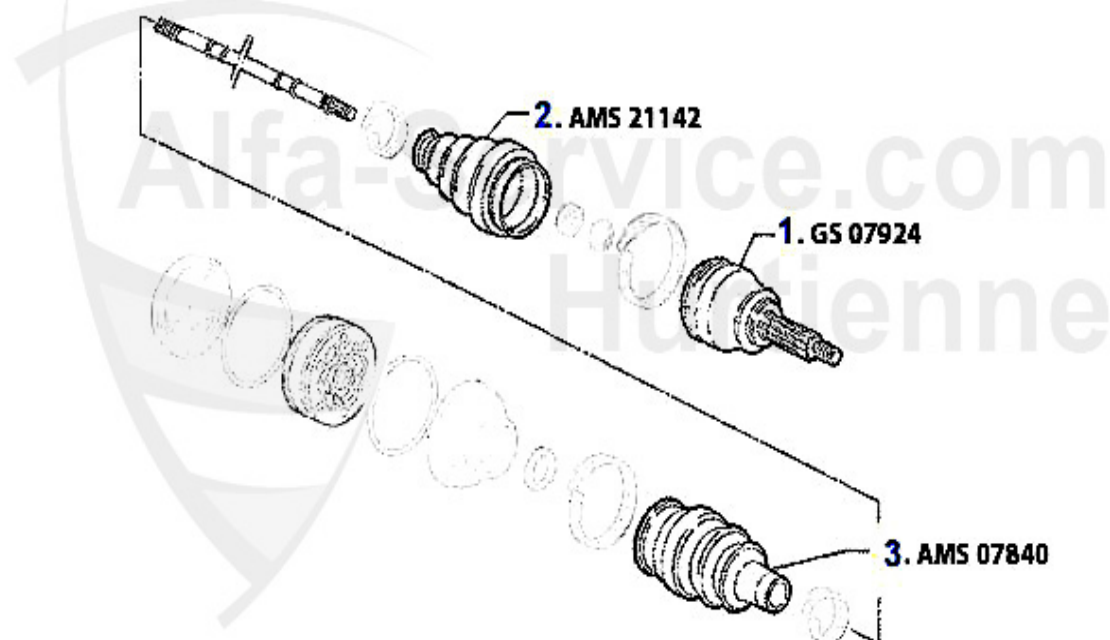
**2** AMS26088 OE. 60556609 Boot Set Wheel Side

**15.01 EUR**

**3** AMS07475 OE. 46307475 BOOT SET 147 1.9 JTD 16V 156/SW V6 24V

**22.47 EUR**

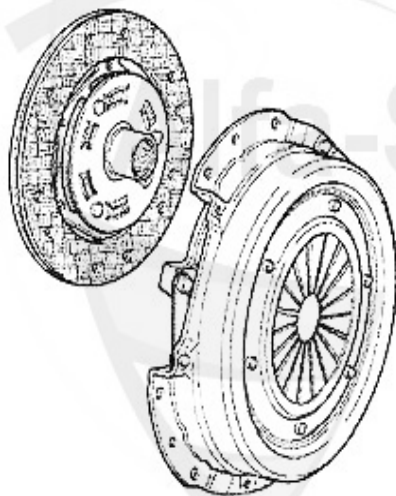
## Antriebswelle/Driveshaft 156 2.4 JTD 20V



<b>1</b>	<b>GS07924</b>	OE. 46307924 CONST.VELLOCITY JOI 156 1.9 JTD 8V (85KW)	<b>142.60 EUR</b>
<b>2</b>	<b>AMS21142</b>	OE. 46307733 BOOT SET 147,156,gtv/spider (916),Nuovo GT 3.2 V6 24V/GTA	<b>20.42 EUR</b>
<b>3</b>	<b>AMS07840</b>	OE. 46307840 BOOT SET 147 1.9 JTD # 3145308>	<b>21.44 EUR</b>

## Kupplungs-Kit/Clutch Set 156 1.6/1.8 TS

---



1. KK 853201

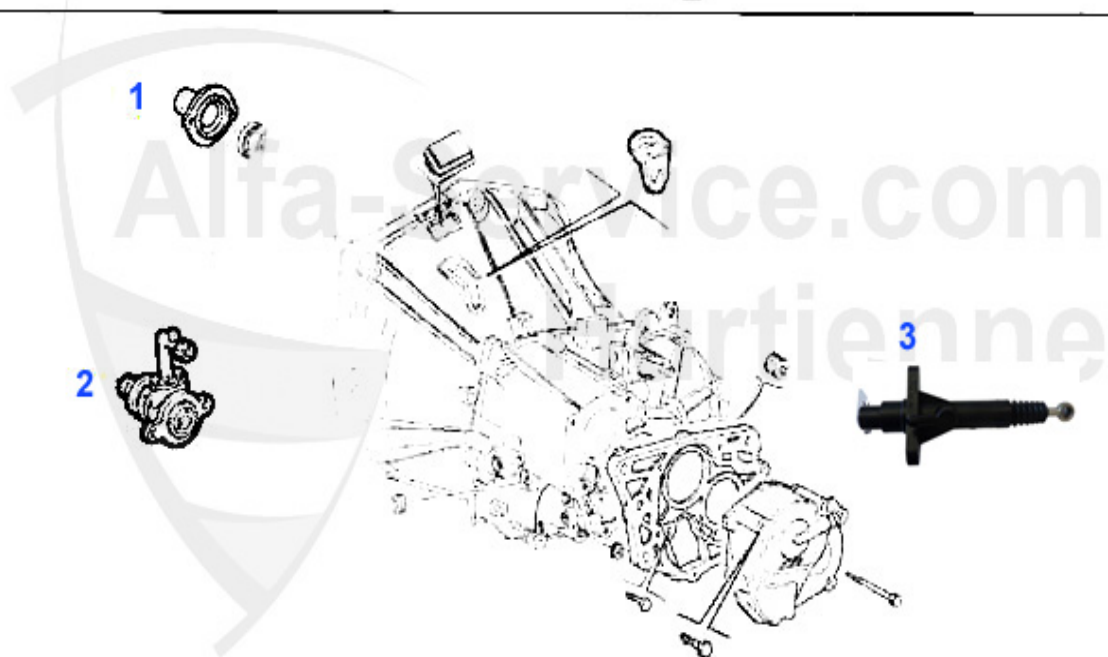
Ø 215 mm

---

1 KK853201 CLUTCH KIT 147,156 1.6/1.8 16V TS 09.97>,NUOVO GT 1.8 TS,  
OE.55190737

195.16 EUR

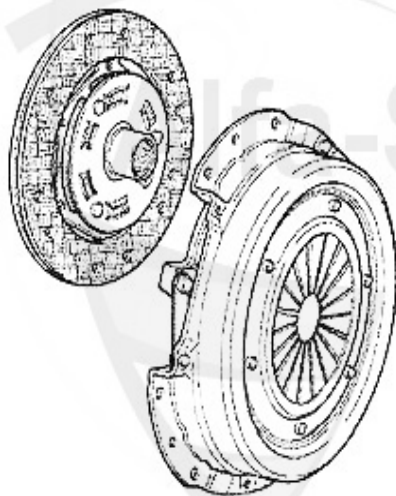
## Ausrücker/Sleeve Bearing 156 1.6/1.8 TS



1	FH1140	Schiebehülse für Ausrücker 145/6, 147,155,156,gtv/spider (916)	19.49 EUR
2	ZA186498	OE. 55186498 SLEEVE T/OBEARING 147,Nuovo GT 12.2003>	84.99 EUR
2	ZA46516373OE. 55184041	SLEEVE BEARING	89.68 EUR
3	KGZ018	CLUTCH MASTER CYLINDER 156 1.8/2.0 TS CF2 (97-05) 1.6/1.8/2.0 TS CF3	119.00 EUR

## Kupplungs-Kit/Clutch Set 156 2.0 TS

---



1. KK 951301

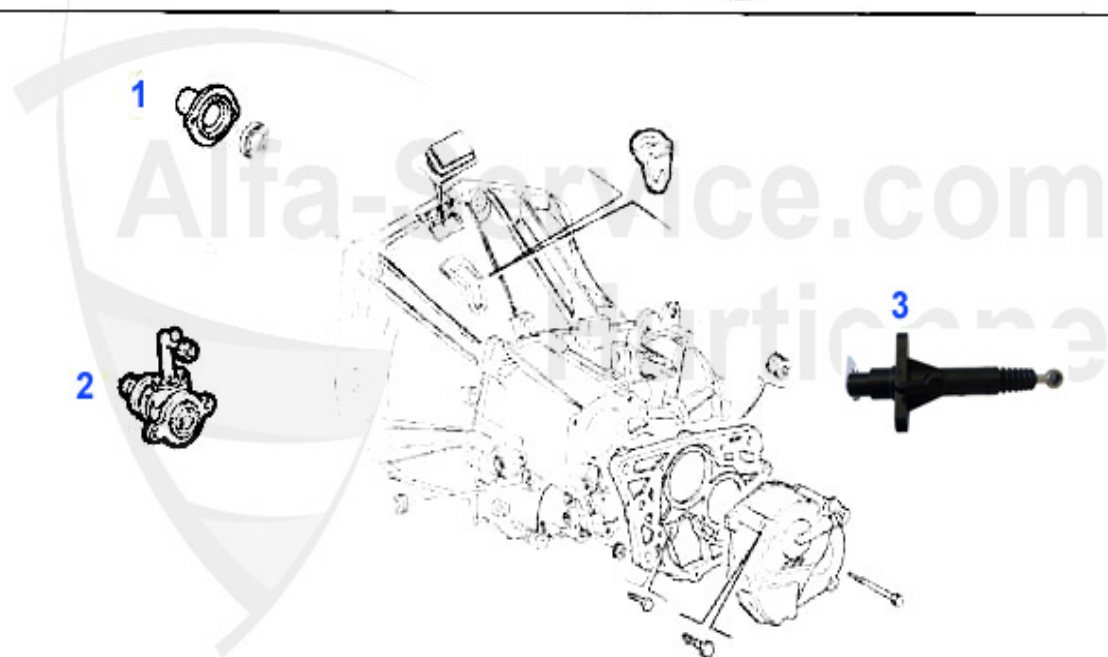
Ø 230 mm

---

1 KK951301 OE. 55190114 CLUTCH KIT 147,156/SW 2.0 TS, WITHOUT RELEASE B.

322.56 EUR

## Ausrücker/Sleeve Bearing 156 2.0 TS

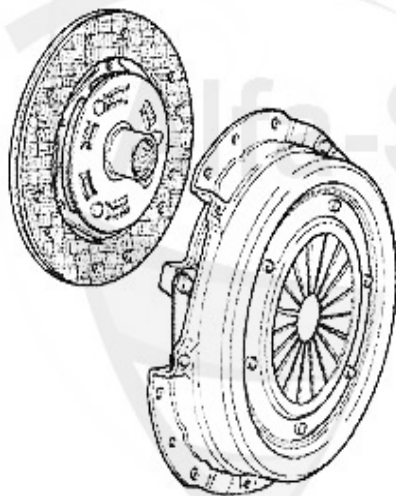


1	FH1140	Schiebehülse für Ausrücker 145/6, 147,155,156,gtv/spider (916)	19.49 EUR
2	ZA186498	OE. 55186498 SLEEVE T/OBEARING 147,Nuovo GT 12.2003>	84.99 EUR
2	ZA46516373OE. 55184041	SLEEVE BEARING	89.68 EUR
3	KGZ018	CLUTCH MASTER CYLINDER 156 1.8/2.0 TS CF2 (97-05) 1.6/1.8/2.0 TS CF3	119.00 EUR



## Kupplungs-Kit/Clutch Set 156 2.0 JTS

---



1. KK 951301

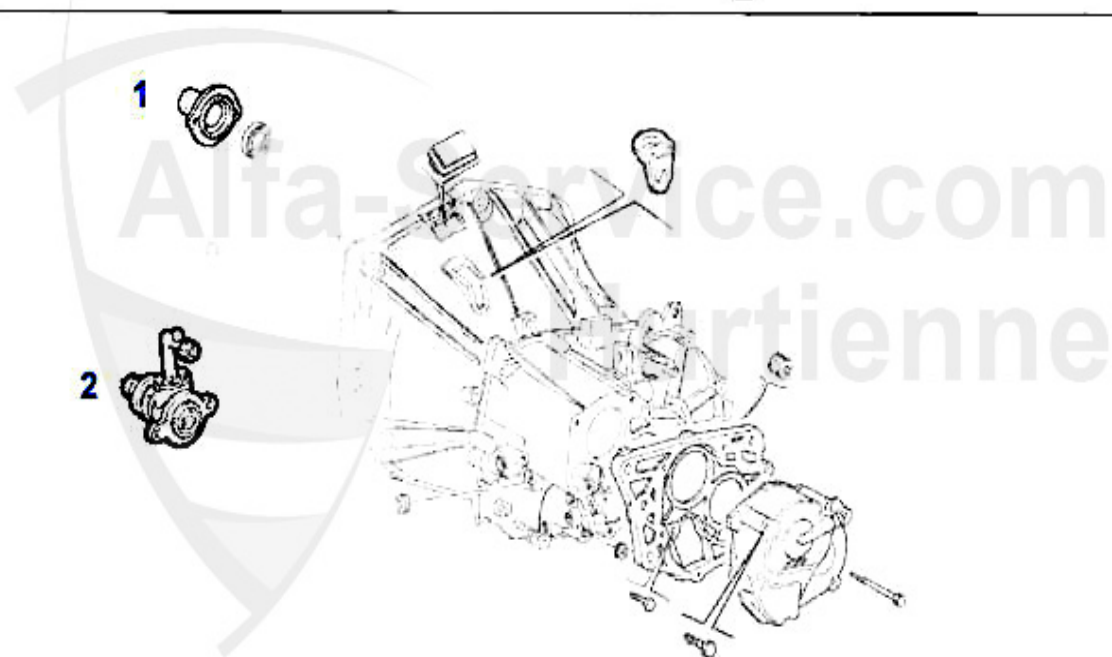
Ø 230 mm

---

1 KK951301 OE. 55190114 CLUTCH KIT 147,156/SW 2.0 TS, WITHOUT RELEASE B.

**322.56 EUR**

## Ausrücker/Sleeve Bearing 156 2.0 JTS

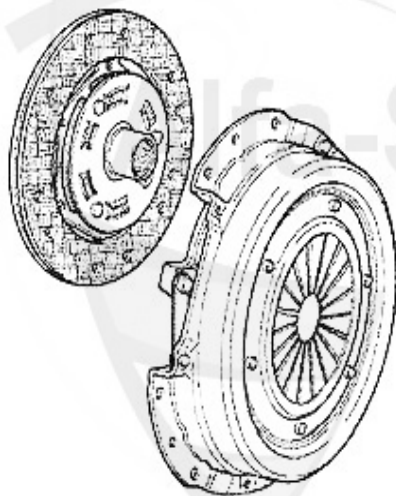


2	ZA186498	OE. 55186498	SLEEVE T/O BEARING 147,Nuovo GT 12.2003>
2	ZA46516373	OE. 55184041	SLEEVE BEARING

84.99	EUR
89.68	EUR

## Kupplungs-Kit/Clutch Set 156 2.5 V6 24V

---



1. KK 739492

Ø 235 mm

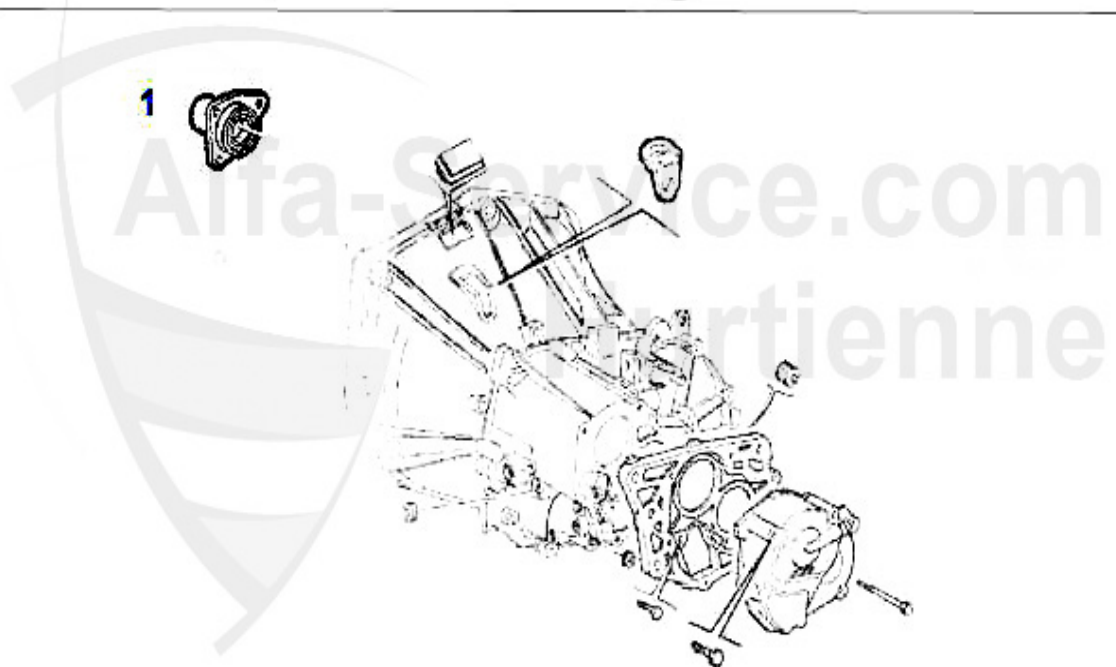
---

1 KK739492 OE. 71739492 CLUTCH SET WITHOUT RELEASE B.

306.73 EUR

## Ausrücker/Sleeve Bearing 156 2.5 V6 24V

---



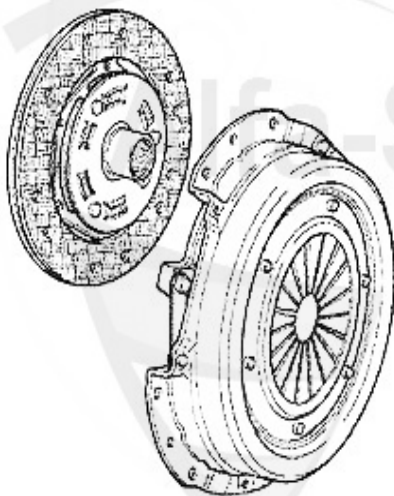
---

**1** FH11951 GUIDE BUSH FOR CLUTCH RELEASE BEARING 3 HOLES  
145/6,147,155,164/SUPER

**79.00 EUR**

## Kupplungs-Kit/Clutch Set 156 3.2 V6 24V/GTA

---



1. KK 739521

Ø 235 mm

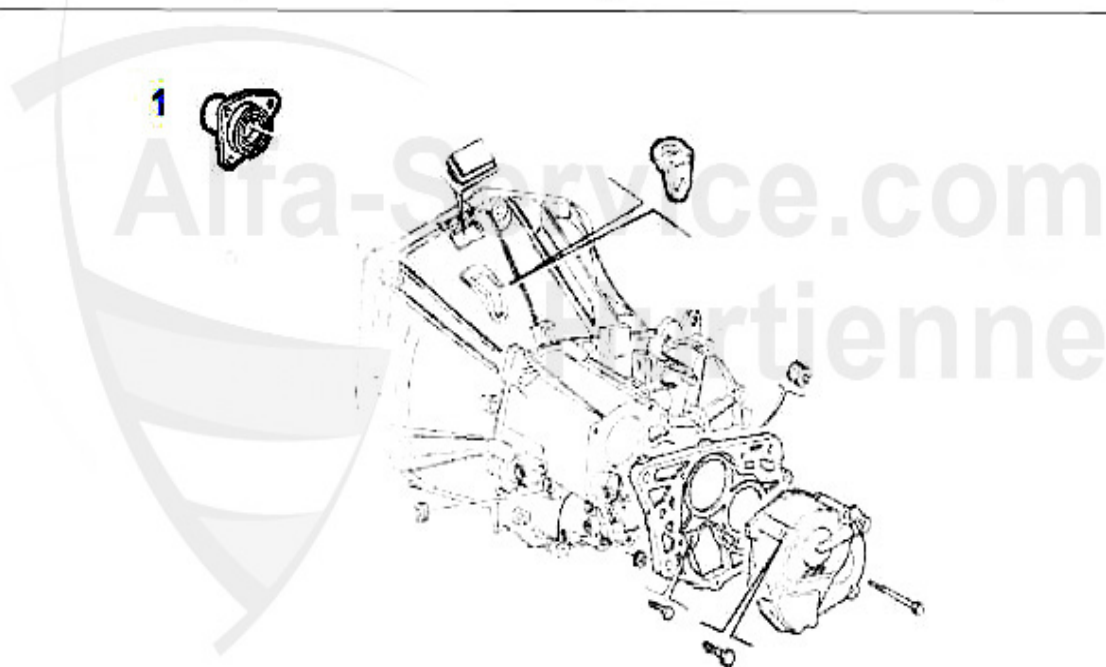
---

1 KK739521 OE. 71739521 CLUTCH KIT 147,156,916 GTA

559.36 EUR

## Ausrücker/Sleeve Bearing 156 3.2 V6 24V/GTA

---



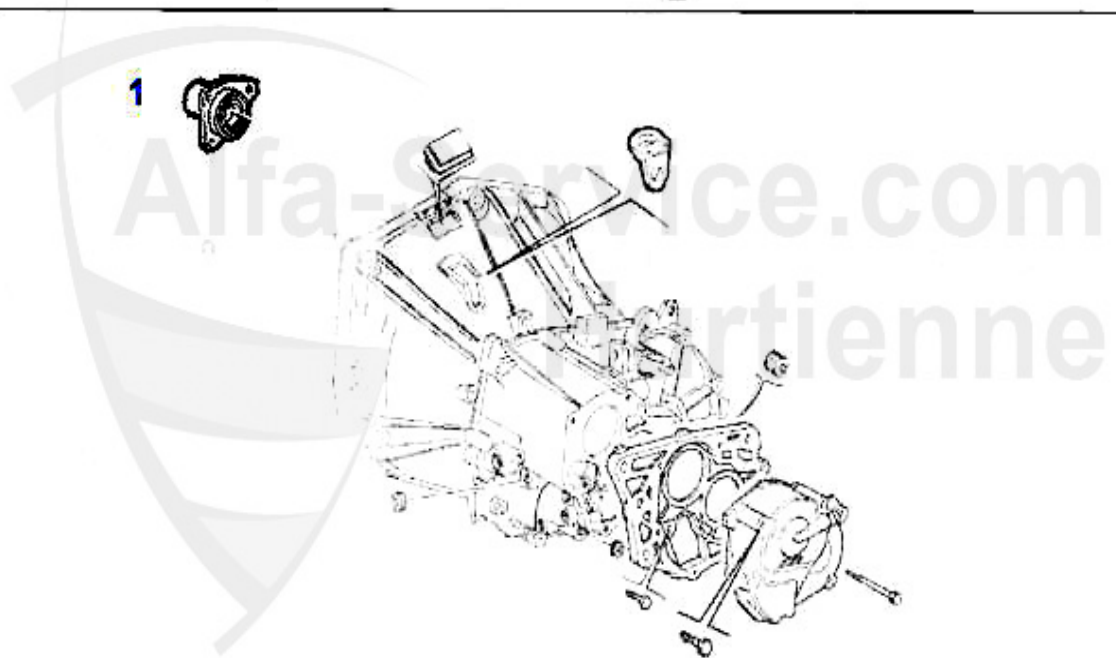
---

**1** FH11951 GUIDE BUSH FOR CLUTCH RELEASE BEARING 3 HOLES  
145/6,147,155,164/SUPER

**79.00 EUR**

## Ausrücker/Sleeve Bearing 156 1.9 JTD 8V

---

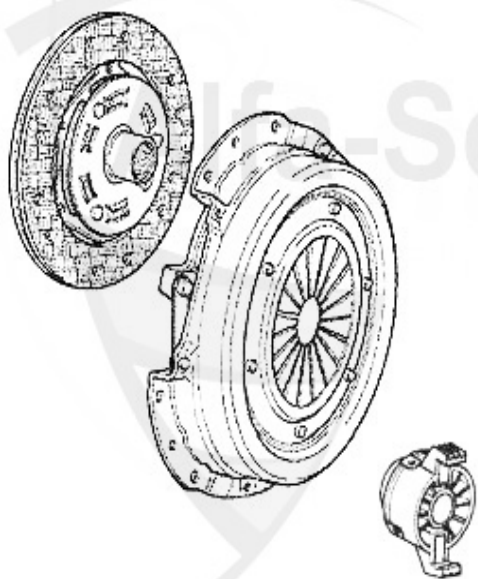


---

**1** FH11951 GUIDE BUSH FOR CLUTCH RELEASE BEARING 3 HOLES  
145/6,147,155,164/SUPER

**79.00 EUR**

## Kupplungs-Kit/Clutch Set 156 1.9 JTD 8V



1. KK 853501

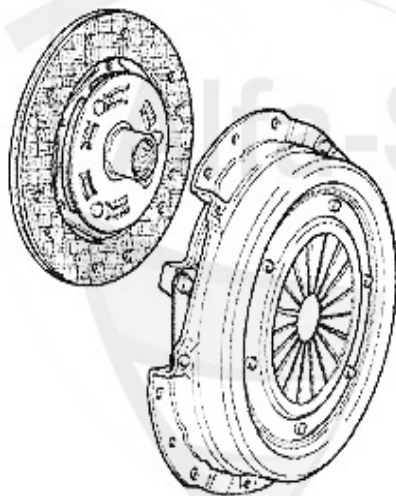
Ø 235 mm

1 KK853501 Kupplungs-Kit 145/6,156 1.9/2.4 JTD 166 2.0 TS Bj. 09.97-10.00 (ohne Ausrücker)

337.00 EUR



## Kupplungs-Kit/Clutch Set 156 1.9 JTD 16V



1. KK 853501

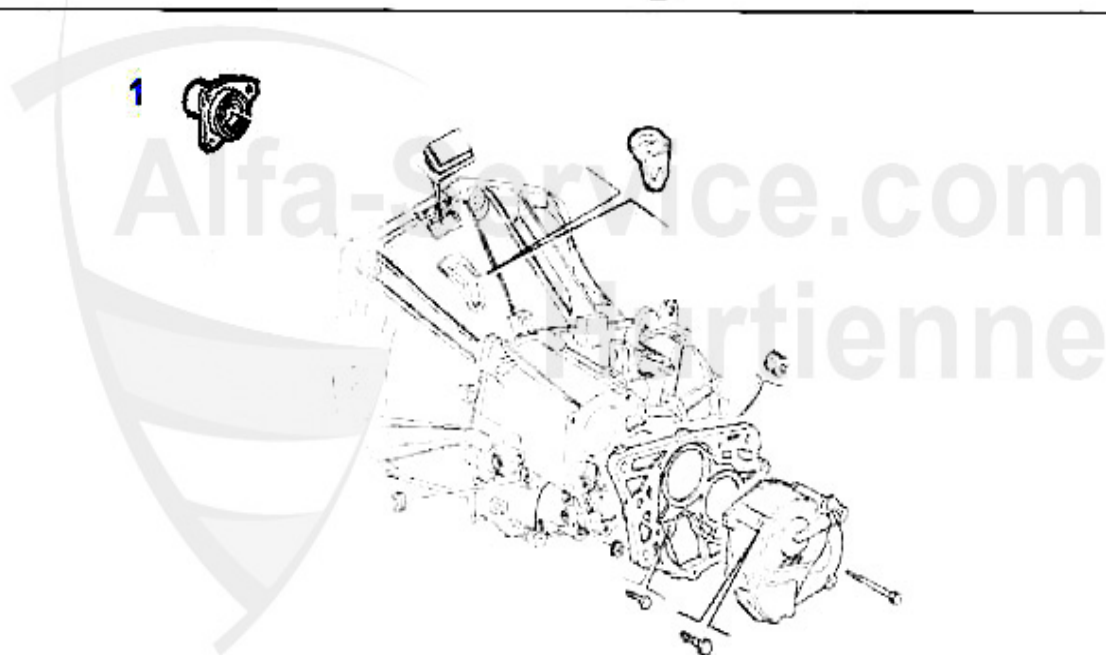
Ø 235 mm

1 KK853501 Kupplungs-Kit 145/6,156 1.9/2.4 JTD 166 2.0 TS Bj. 09.97-10.00 (ohne Ausrücker)

337.00 EUR

## Ausrücker/Sleeve Bearing 156 1.9 JTD 16V

---



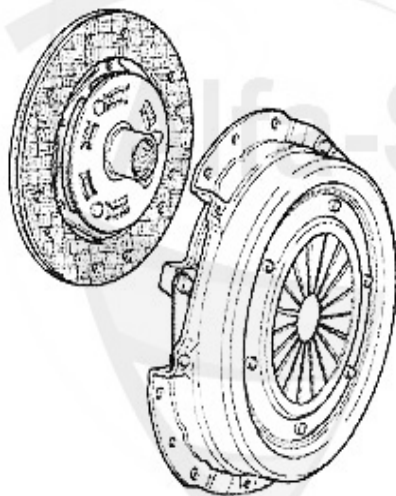
---

1 FH11951 GUIDE BUSH FOR CLUTCH RELEASE BEARING 3 HOLES  
145/6,147,155,164/SUPER

79.00 EUR

## Kupplungs-Kit/Clutch Set 156 2.4 JTD 10V

---



1. KK 853501

Ø 235 mm

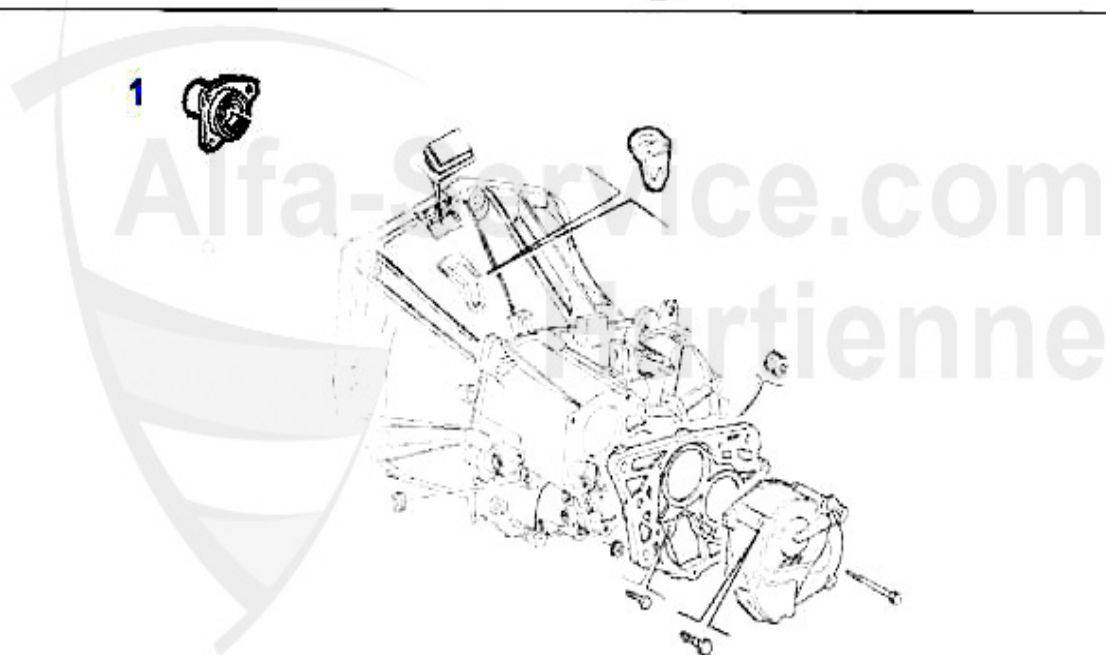
---

1 KK853501 Kupplungs-Kit 145/6,156 1.9/2.4 JTD 166 2.0 TS Bj. 09.97-10.00 (ohne Ausrücker)

337.00 EUR

## Ausrücker/Sleeve Bearing 156 2.4 JTD 10V

---



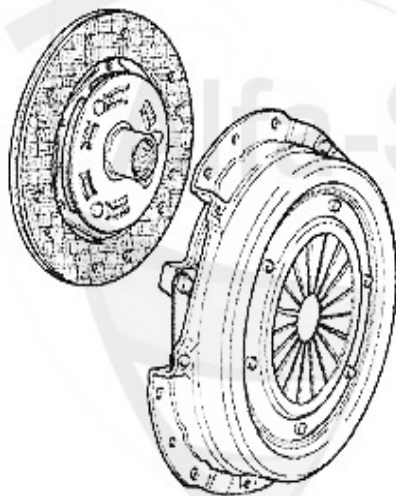
---

**1** FH11951 GUIDE BUSH FOR CLUTCH RELEASE BEARING 3 HOLES  
145/6,147,155,164/SUPER

**79.00 EUR**

## Kupplungs-Kit/Clutch Set 156 2.4 JTD 20V

---



1. KK 192735

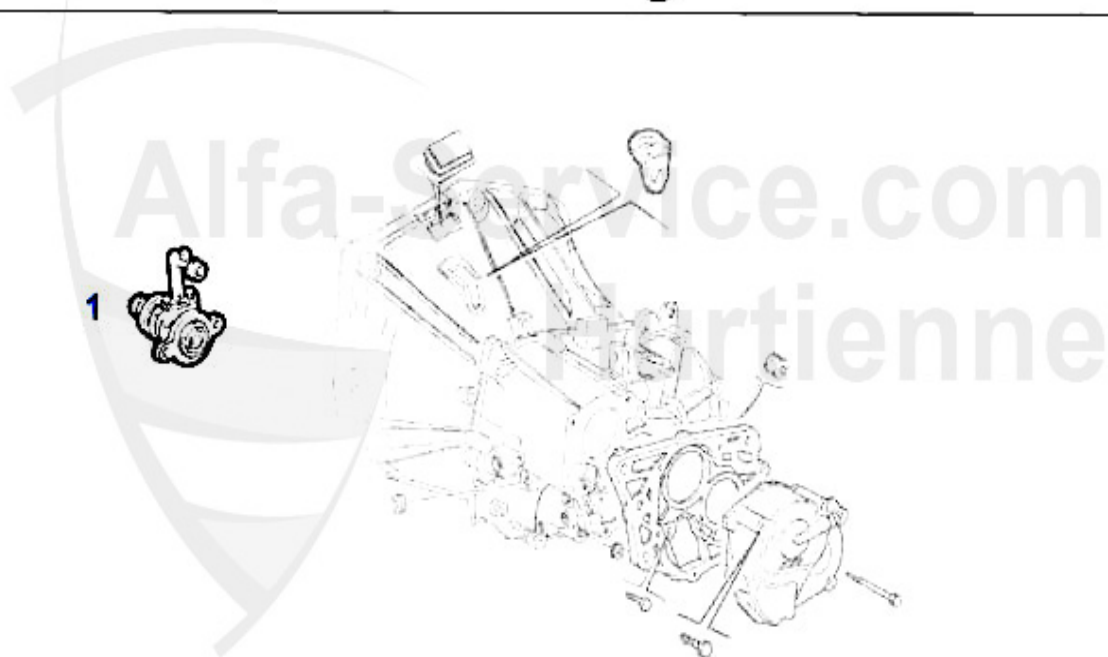
---

1 KK192735 OE. 55192735 KIT CLUTCH 156,166 2.4 JTD 20V

286.22 EUR

## Ausrücker/Sleeve Bearing 156 2.4 JTD 20V

---



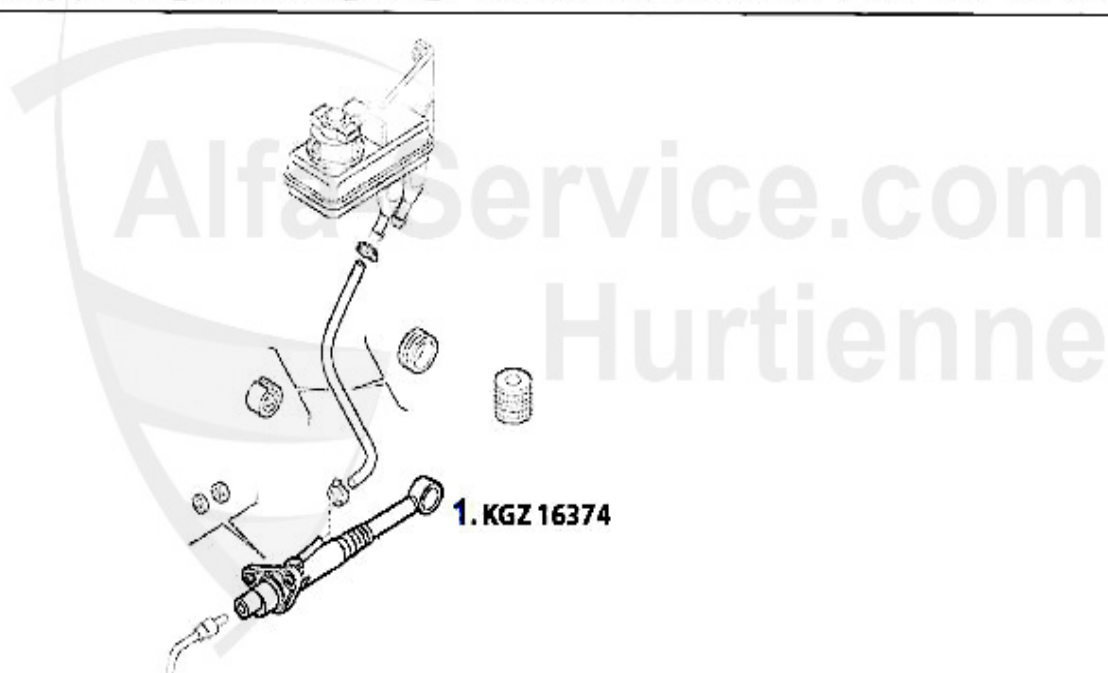
---

1 ZA184529 OE. 55184529 ACTUATOR 156/166 2.4 JTD 20V

64.12 EUR

## Kupplungsbetätigung/Clutch Actuation 156 1.6/1.8 TS

---



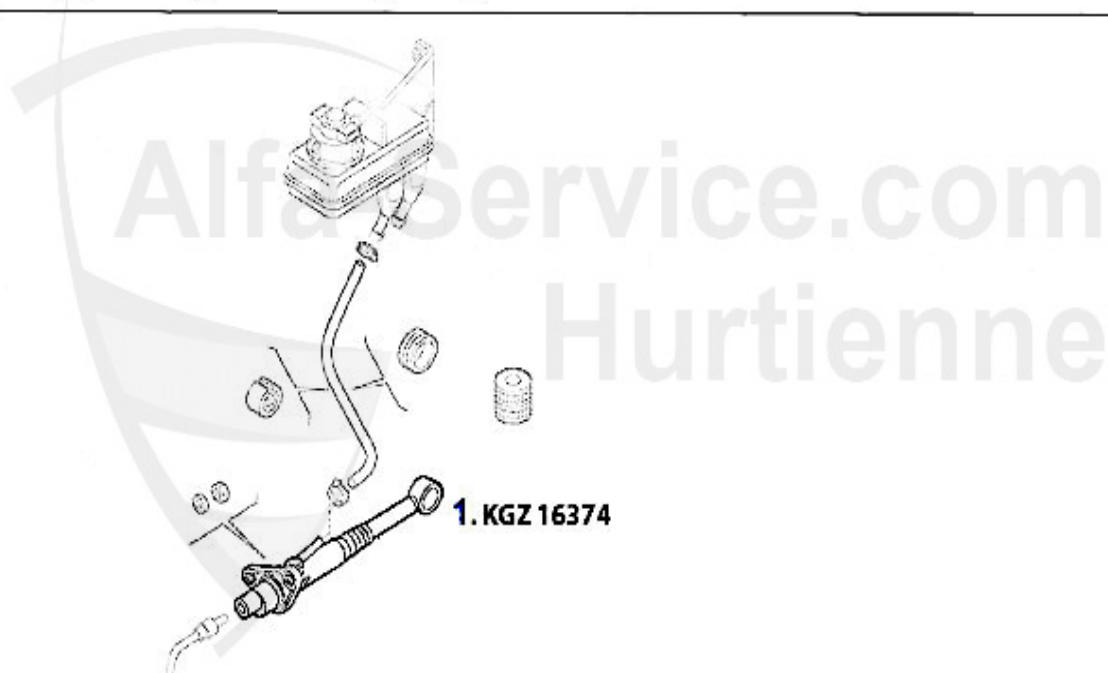
---

1 KGZ16374 OE. 46516374 CLUTCH PUMP 156 TS/JTS/JTD 20V

119.00 EUR

## Kupplungsbetätigung/Clutch Actuation 156 2.0 TS

---



---

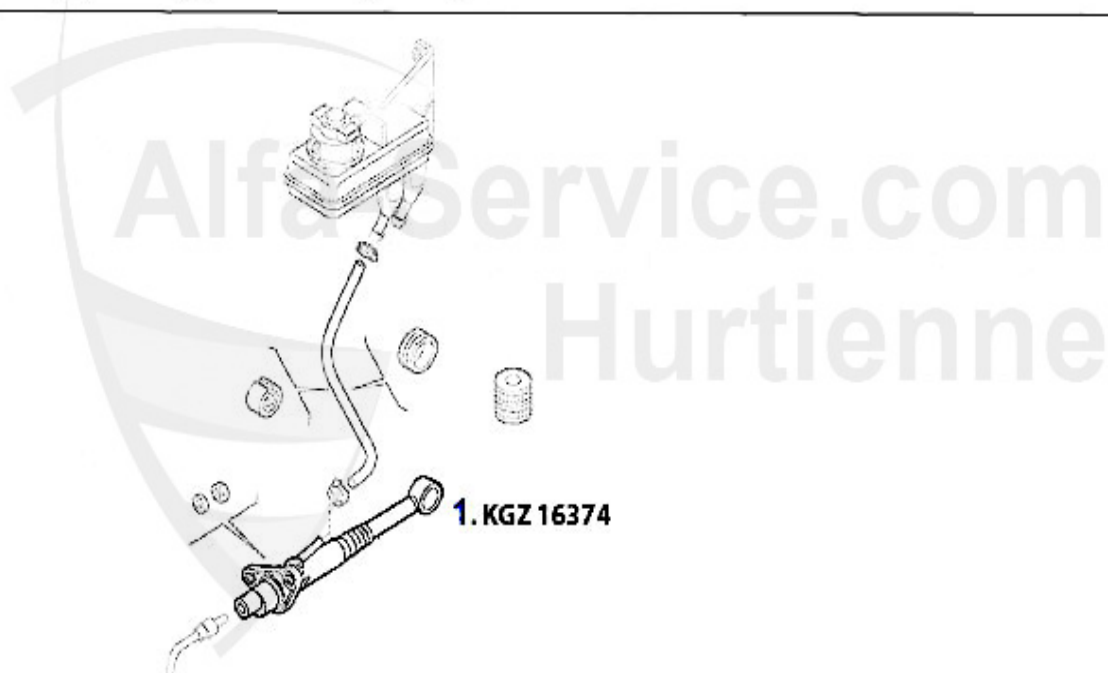
1 KGZ16374 OE. 46516374 CLUTCH PUMP 156 TS/JTS/JTD 20V

119.00 EUR



## Kupplungsbetätigung/Clutch Actuation 156 2.0 JTS

---



---

1 KGZ16374 OE. 46516374 CLUTCH PUMP 156 TS/JTS/JTD 20V

119.00 EUR

## Kupplungsbetätigung/Clutch Actuation 156 2.5 V6 24V

---



1	KGZ24868	Kupplungsgeberzylinder 156 1.9/2.4 JTD,2.5/3.2 V6 24V/GTA	91.30 EUR
2	KNZ028	OE. 60801577 CLUTCH SLAVE CYLINDER	51.50 EUR
2	KNZ008	OE. 60502665 CLUTCH SLAVE CYLINDER	59.00 EUR

Kupplungsbetätigung/Clutch Actuation 156 3.2 V6 24V/GTA



1	KGZ24868	Kupplungsgeberzylinder 156 1.9/2.4 JTD,2.5/3.2 V6 24V/GTA	91.30 EUR
2	KNZ028	OE. 60801577 CLUTCH SLAVE CYLINDER	51.50 EUR
2	KNZ008	OE. 60502665 CLUTCH SLAVE CYLINDER	59.00 EUR
3	KNZ76063	OE. 60607663 CLUTCH CYLINDER 147, Nuovo GT 1.9 JTD/3.2 V6 24V/GTA Selespeed	***

## Kupplungsbetätigung/Clutch Actuation 156 1.9 JTD 8V

---



1	KGZ24868	Kupplungsgeberzylinder 156 1.9/2.4 JTD,2.5/3.2 V6 24V/GTA	91.30 EUR
2	KNZ028	OE. 60801577 CLUTCH SLAVE CYLINDER	51.50 EUR
2	KNZ008	OE. 60502665 CLUTCH SLAVE CYLINDER	59.00 EUR

## Kupplungsbetätigung/Clutch Actuation 156 1.9 JTD 16V

---



1	KGZ24868	Kupplungsgeberzylinder 156 1.9/2.4 JTD,2.5/3.2 V6 24V/GTA	91.30 EUR
2	KNZ028	OE. 60801577 CLUTCH SLAVE CYLINDER	51.50 EUR
2	KNZ008	OE. 60502665 CLUTCH SLAVE CYLINDER	59.00 EUR

## Kupplungsbetätigung/Clutch Actuation 156 2.4 JTD 10V

---



1	KGZ24868	Kupplungsgeberzylinder 156 1.9/2.4 JTD,2.5/3.2 V6 24V/GTA	91.30 EUR
2	KNZ028	OE. 60801577 CLUTCH SLAVE CYLINDER	51.50 EUR
2	KNZ008	OE. 60502665 CLUTCH SLAVE CYLINDER	59.00 EUR

Kupplungsbetätigung/Clutch Actuation 156 2.4 JTD 20V

---



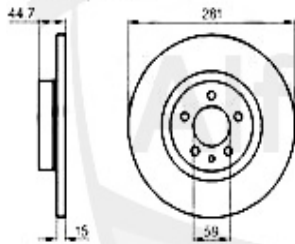
---

1 KGZ24868 Kupplungsgeberzylinder 156 1.9/2.4 JTD,2.5/3.2 V6 24V/GTA

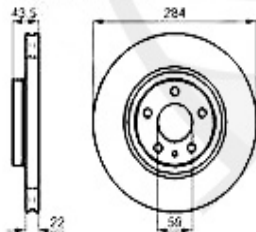
91.30 EUR

# Bremsscheiben/Brakedisks 156/SW >2002

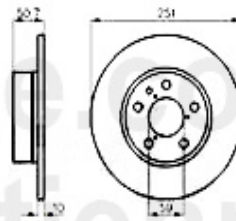
**1. BS 101311**  
1.6/1.8 TS, 1.9 JTD > #0383456  
vorne/front



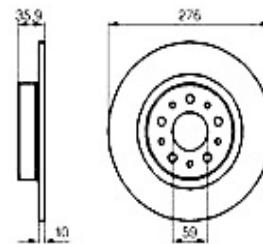
**2. BS 518751**  
1.6/1.8/2.0 TS, 2.5 V6, 1.9/2.4 JTD  
vorne/front  
belüftet/ventil.



**3. BS 518815**  
- Sport Kit/GTA  
hinten/rear



**4. BS 469908**  
+ Sport Kit/GTA  
hinten/rear

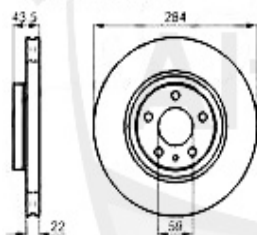


1	BS101311	FRONT BRAKE DISC 147 1.6 16V TS, 156 1.6/ 1.8/16V TS/1.9 JTD	76.95 EUR
2	BS518751	OE. 71739568 FRONT BRAKE DISK 147, 156, 164, gtv/spider (916)	70.78 EUR
3	BS518815	OE. 71738911 REAR BRAKE DISK 147, 156, 164	70.78 EUR
4	BS469908	OE. 46469908 REAR BRAKE DISC	78.99 EUR



## Bremsscheiben/Brakedisks 156/SW 2002>

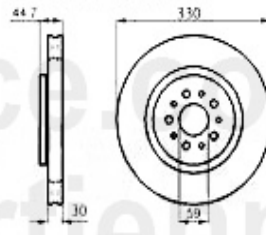
**1. BS 518751**  
-GTA/1.9 JTD 4x4  
vorne/front  
belüftet/ventil.



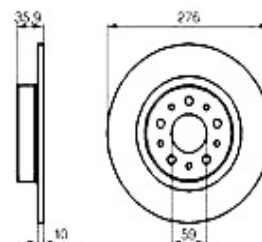
**2. BS 101651**  
+GTA > 10.2003  
vorne/front  
belüftet/ventil.



**3. BS 733051**  
+GTA 11.2003>/1.9 JTD 4x4  
vorne/front  
belüftet/ventil.



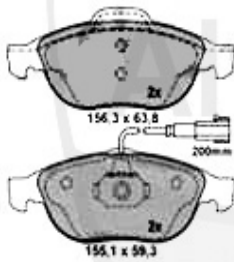
**4. BS 469908**  
hinten/rear



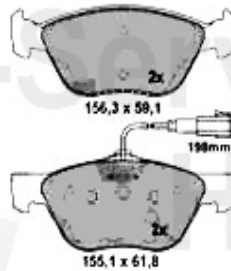
1	BS518751	OE. 71739568 FRONT BRAKE DISK 147, 156, 164, gtv/spider (916)	70.78 EUR
2	BS101651	FRONT BRAKE DISK 147/156 GTA GTV/SPIDER (916) 3.0/3.2 V6 24V	87.20 EUR
3	BS733051	OE.51733051 FRONT BRAKE DISC GTA 147 2003>,156 2002>	159.00 EUR
4	BS469908	OE. 46469908 REAR BRAKE DISC	78.99 EUR

# Brembeläge/Brakepads 156 > 2002

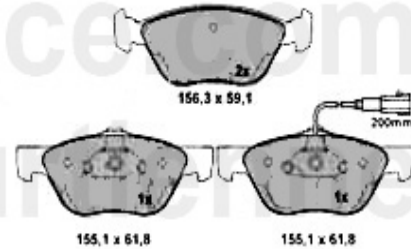
**1. 23140**  
vorne/front  
1.6/1.8 TS/1.9 JTD > 2000



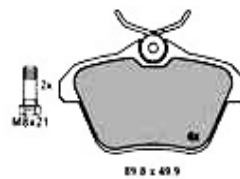
**2. 21636**  
vorne/front  
2.0 TS, 2.5 V6, 2.4 JTD



**3. 23289**  
vorne/front  
1.6/1.8 TS/1.9 JTD 2000 >

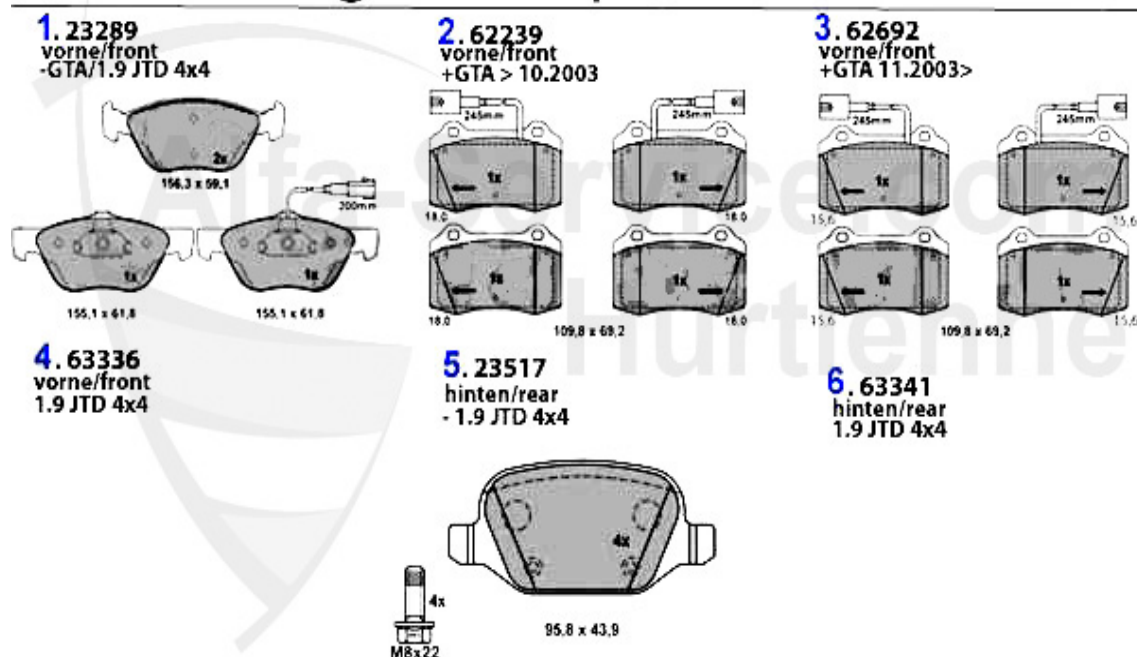


**4. 21606**  
hinten/rear



<b>1</b>	<b>23140 193</b> 05	<b>BRAKE PADS FRONT WITH ABRASION CONTACT, 147 1.6 16V TS, 156 1.6/1.8/ 16V TS/1.9 JTD 09.97 -10.00, OE 9948887</b>	<b>63.96 EUR</b>
<b>2</b>	<b>21636 193</b> 05	<b>OE 77362222, BRAKE PADS WITH ABRASION CONTACT, 155 1.6/1.8/2.0 16V TS/2.5 V6 TD 05.96 &gt;, 156 1.6 1.8/2.0/16V/TS/JTS/V6/1.9/2.4 JTD , GTV/S</b>	<b>60.52 EUR</b>
<b>3</b>	<b>23289 193</b> 05	<b>BRAKE PADS FRONT WITH WARNING CONTACT 145/6 1.8/2.0 16V TS/QV 01.97&gt;, 147 1.6/ 2.0 16V TS BRAKESYSTEM ATE</b>	<b>69.76 EUR</b>
<b>4</b>	<b>21606 166</b> 24	<b>OE. 71712910 REAR BRAKE PADS WITHOUT ABRASION CONTACT, 156 1.6/1.8/2.0/16V/TS/JTS/2.5 V6 24V/1.9/2.4/JTD 164 3.0V6 Q4 02.94-09.98</b>	<b>62.58 EUR</b>

# Brembeläge/Brakepads 156 2002 >



1	23289 193 05	BRAKE PADS FRONT WITH WARNING CONTACT 145/6 1.8/2.0 16V TS/QV 01.97>, 147 1.6/ 2.0 16V TS BRAKESYSTEM ATE	69.76 EUR
2	62239	OE. 77362239 BRAKE PAD-SET FRONT 147/156 GTA >10.2003	87.20 EUR
3	62692	OE. 77362692 BRAKE PAD-SET FRONT 147/156 GTA 10.2003>	93.87 EUR
4	63336	OE. 77363336 BRAKE PAD-SET 156/SW 1.9 JTD 4x4 FRONT	174.69 EUR
5	23517 165 04	BRAKE PADS REAR WITHOUT WARNING CONTACT 147 1.6/2.0/16V TS/1.9 JTD, 156 SPORTWAGON ALL	59.00 EUR
6	63341	OE. 77363341 BRAKE PAD-SET REAR 156/SW 1.9 JTD 4x4	76.95 EUR

## Bremszangen/Calipers 156 > 2002



**1. BZ 211041**  
links/left  
1.6/1.8 TS  
1.9 JTD > #00383456

**2. BZ 211042**  
rechts/right  
1.6/1.8 TS  
1.9 JTD > #00383456



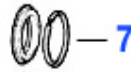
**3. BZ 48466**  
links/left  
2.0TS/2.5V6/2.4JTD  
1.9 JTD #00383457>

**4. BZ 48471**  
rechts/right  
2.0TS/2.5V6/2.4JTD  
1.9 JTD #00383457>



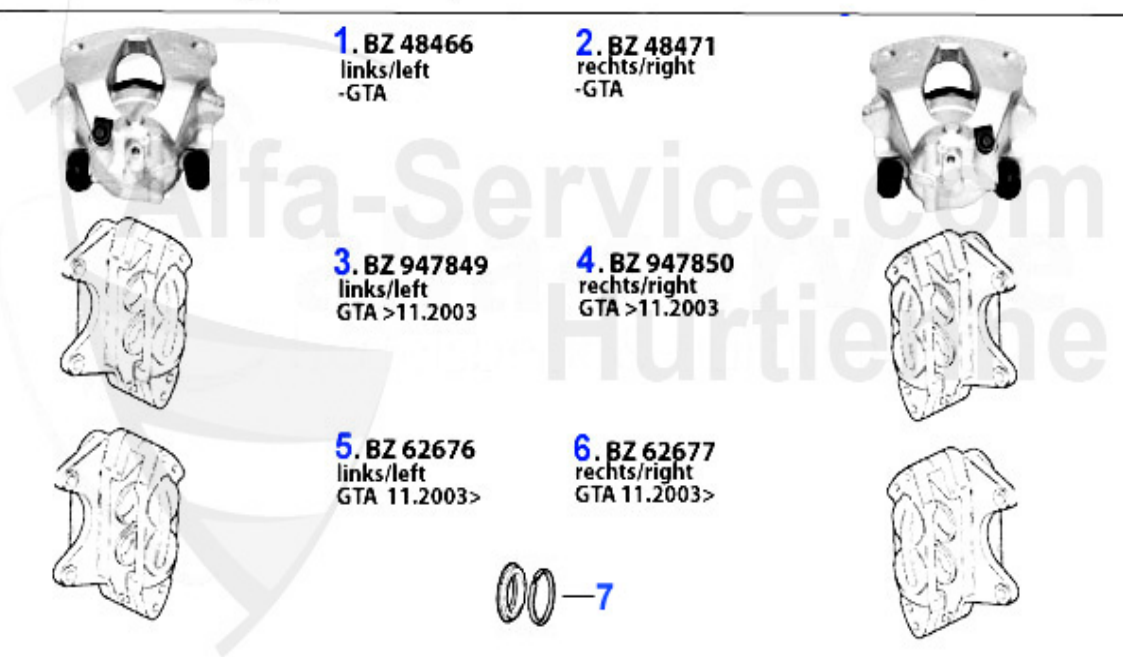
**5. BZ 47885**  
links/left  
hinten/rear

**6. BZ 47896**  
rechts/right  
hinten/rear



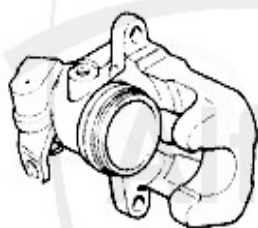
<b>1</b>	<b>BZ211041</b>	OE. 9948124 BRAKE CALIPER FL 147 1.6 TS, 156 1.6/1.8 TS	<b>69.96 EUR</b>
<b>2</b>	<b>BZ211042</b>	OE. 9948129 BRAKE CALIPER FR 147 1.6 TS, 156 1.6/1.8 TS	<b>69.96 EUR</b>
<b>3</b>	<b>BZ48466</b>	OE. 9948466 BRAKE CALIPER FL 147, 156, Nuovo GT TS 16V, JTD	<b>68.23 EUR</b>
<b>4</b>	<b>BZ48471</b>	OE. 9948469 BRAKE CALIPER FR 147, 156, Nuovo GT TS 16V, JTD	<b>68.23 EUR</b>
<b>5</b>	<b>BZ47885</b>	OE. 9947885 BRAKE CALIPER RL 156 >02,166	<b>73.24 EUR</b>
<b>6</b>	<b>BZ47896</b>	OE. 9947896 BRAKE CALIPER RR 156 >02,166	<b>73.24 EUR</b>
<b>7</b>	<b>RSBS4359</b>	REPAIRKIT FOR ONE CALIPPER TYP ATE 53MM 145/6 1.4 16VTS,1.8 i.e 16V, 2.0 16V, 1.9JTD, 156 16V TS, 2.5 V6 +SW Models	<b>19.90 EUR</b>
<b>7</b>	<b>RSBS4025</b>	REPAIR KIT FOR CALIPPER ATE 53mm DIAM. (for one calipper) FITS FOR THE MODELS 145/6-(930) 1.4/1.6/1.8/2.0/ 16V/TS 1.9J/TD 94-01, 156+SW(932)1.9JTD 1.6/1.8/2.0/2.4JTD, 3.2GTA, 00-05	<b>21.99 EUR</b>

## Bremszangen/Calipers 156 2002> vorne/front



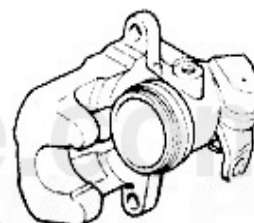
1	BZ48466	OE. 9948466 BRAKE CALIPER FL 147, 156, Nuovo GT TS 16V, JTD	68.23 EUR
2	BZ48471	OE. 9948469 BRAKE CALIPER FR 147, 156, Nuovo GT TS 16V, JTD	68.23 EUR
3	BZ947849	Frontbrake Callipper 147,156,916 3.2 V6	241.84 EUR
4	BZ947850	Frontbrake Callipper 147,156,916 3.2 V6	244.49 EUR
5	BZ62676	OE. 77362676 F.BRK.CAL.W/O PAD 147, 156 2002>, Nuovo GT 3.2 GTA	270.78 EUR
6	BZ62677	OE. 77362677 F.BRK.CAL.W/O PAD 147, 156 2002>, Nuovo GT 3.2 GTA	270.78 EUR
7	RSBS4359	REPAIRKIT FOR ONE CALIPPER TYP ATE 53MM 145/6 1.4 16VTS,1.8 i.e 16V, 2.0 16V, 1.9JTD, 156 16V TS, 2.5 V6 +SW Models	19.90 EUR
7	RSBS4025	REPAIR KIT FOR CALIPPER ATE 53mm DIAM. (for one calipper) FITS FOR THE MODELS 145/6-(930) 1.4/1.6/1.8/2.0/ 16V/TS 1.9J/TD 94-01, 156+SW(932)1.9JTD 1.6/1.8/2.0/2.4JTD, 3.2GTA, 00-05	21.99 EUR

## Bremszangen/Calipers 156 2002> hinten/rear



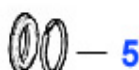
**1. BZ 48544**  
links/left  
-GTA

**2. BZ 48547**  
rechts/right  
-GTA



**3. BZ 49522**  
links/left  
GTA

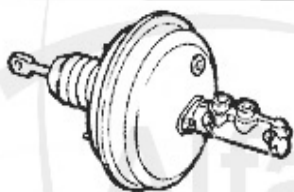
**4. BZ 49523**  
rechts/right  
GTA



<b>1</b>	<b>BZ48544</b>	OE. 9951213/9948544 BRAKE CALIPPER REAR LEFT 147,156/SW 2002>,Nuovo GT ALL 4-CYLINDER	<b>88.48 EUR</b>
<b>2</b>	<b>BZ48547</b>	OE. 9951214/9948547 BRAKE CALIPPER REAR RIGHT 147,156/SW 2002>,Nuovo GT ALL 4-CYLINDER	<b>88.48 EUR</b>
<b>3</b>	<b>BZ49522</b>	OE. 9949522 BRAKE CALIPER RL 147, 156 2002>, Nuovo GT 3.2 GTA	<b>53.26 EUR</b>
<b>4</b>	<b>BZ49523</b>	OE. 9949523 BRAKE CALIPER RR 147, 156 2002>, Nuovo GT 3.2 GTA	<b>53.80 EUR</b>
<b>5</b>	<b>RSBS356</b>	Rep.-Satz Bremssattel hinten(Lukas) 147GTA/156GTA/156swGTA/GT1,8TS/ GT2,0JTS/GT3,2GTA/GT1,9JTD	<b>21.99 EUR</b>

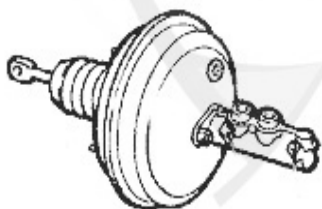
# 156 > BRAKE > BRAKE SERVO/BRAKE MASTER CYL. >2002

BKV/Hauptbremszylinder/Brakeservo/Brake master cylinder 156 >2002



**1. BKV 27989**  
- 2.5 V6 Autom.

**4. HBZ 300**

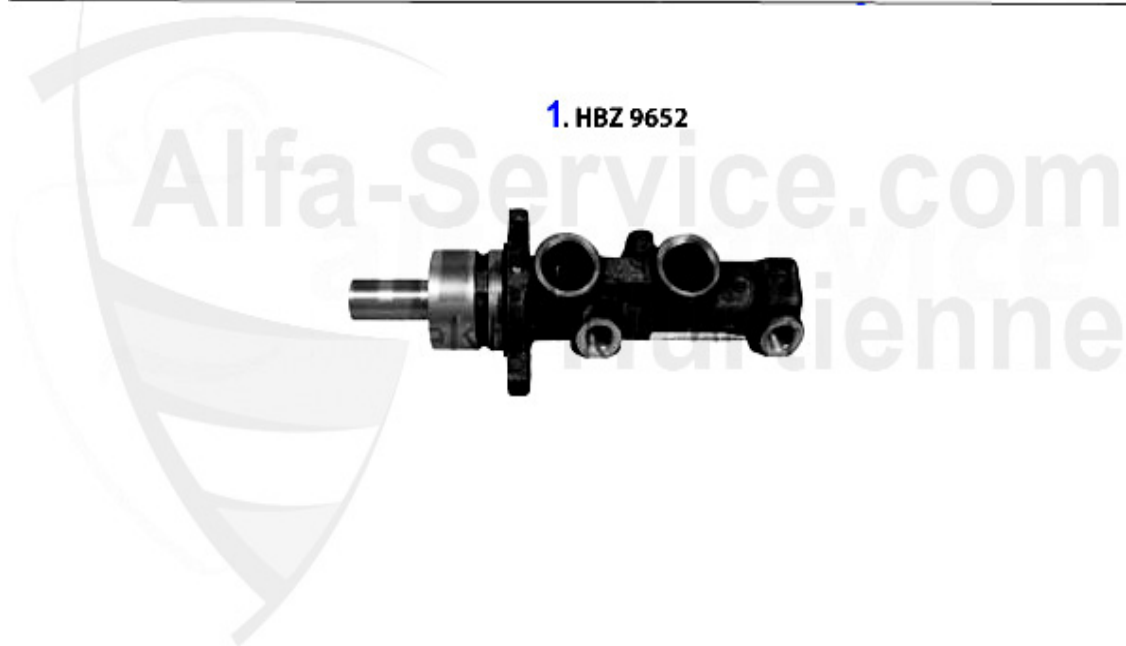


**2. BKV 44950**  
+ 2.5 V6 Autom.

<b>1</b>	<b>BKV27989</b>	<b>Bremskraftverstärker 156 1.6/1.8/2. .0 TS 16V/2.5 V6/1.9/2.4 JTD Bj. &gt;0 2</b>	<b>740.00 EUR</b>
<b>1</b>	<b>BKV49654</b>	<b>Bremskraftverstärker 156 2.0 TS/JTS 16V Bj. 02&gt; (nicht Selespeed) ACHTUNG: wird nur ohne HBZ geliefert</b>	<b>481.41 EUR</b>
<b>2</b>	<b>BKV44950</b>	<b>Bremskraftverstärker 156 2.5 V6 Aut omatik Bj. &gt;02</b>	<b>***</b>
<b>3</b>	<b>HBZ300</b>	<b>BRAKE MASTER CYLINDER 156</b>	<b>132.34 EUR</b>

## Hauptbremszylinder/Brake Master Cylinder 156 2002>

---



---

1 HBZ9652 OE. 9949652 BRAKE MASTER CYLINDER 156 2002>

\*\*\*

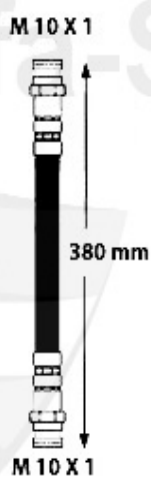


# Bremsschlauch/Brake Hose 156

**1. BS 517136**  
vorne/front  
-GTA



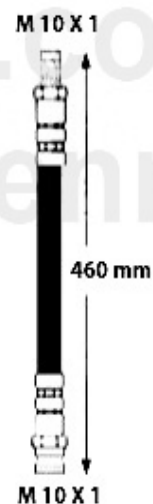
**2. BS 674858**  
vorne/front  
GTA



**3. BS 511666**  
hinten/rear  
>2002

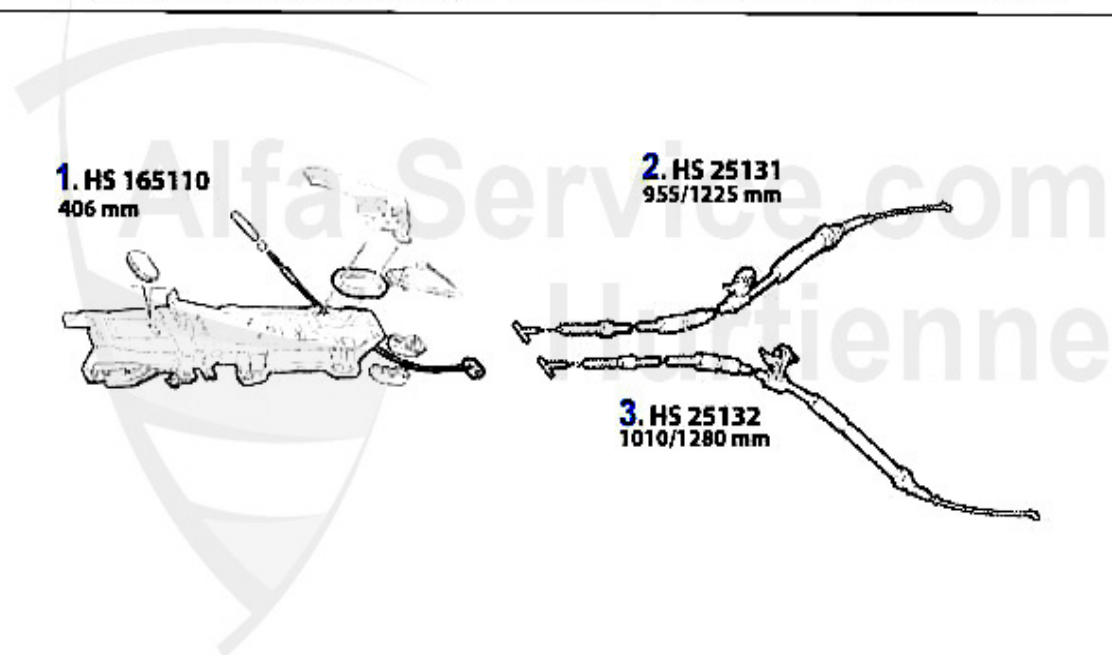


**4. BS 700558**  
hinten/rear  
2002>



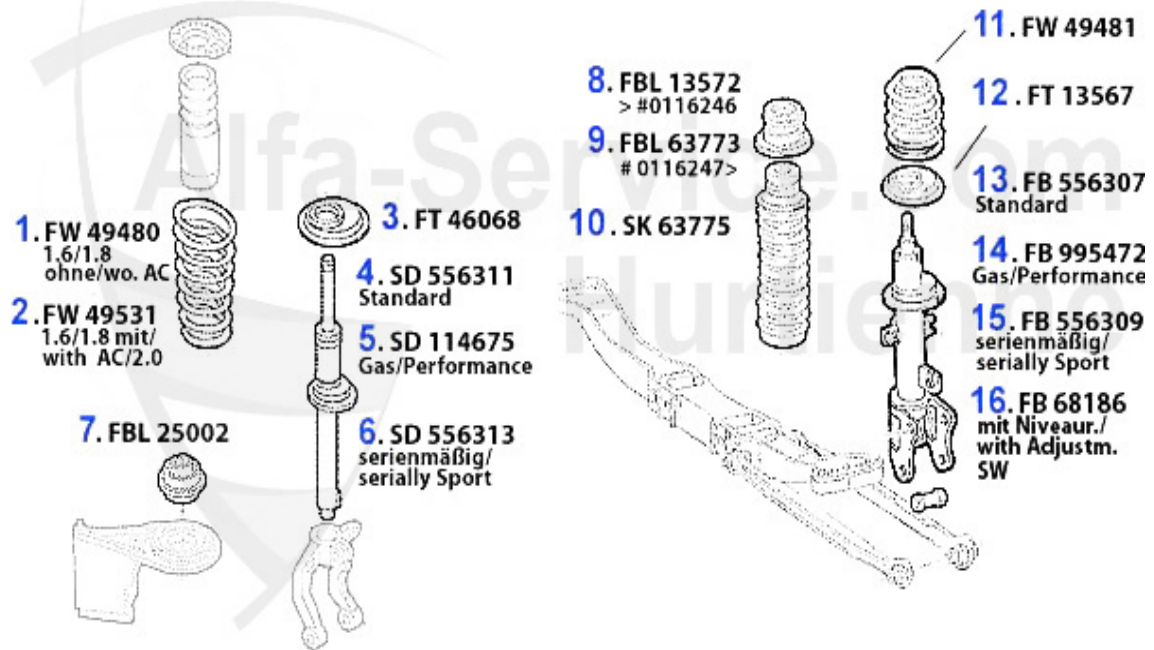
<b>1</b>	<b>BS517136</b>	<b>FRONT BRAKE HOSE 145/6 1.4/1.6/3.0 V6 06.95&gt;</b>	<b>15.99 EUR</b>
<b>2</b>	<b>BS674858</b>	<b>OE. 60674858 BRAKE HOSE fr. 147/Nuovo GT 3.2 GTA</b>	<b>22.50 EUR</b>
<b>3</b>	<b>BS511666</b>	<b>Bremsschlauch HA 147, 156 &gt;2002</b>	<b>15.51 EUR</b>
<b>4</b>	<b>BS700558</b>	<b>OE. 51700558 REAR BRAKE HOSE 156 2002&gt;, Nuovo GT</b>	<b>23.50 EUR</b>

## Handbremsseil/Brake Cable 156/SW



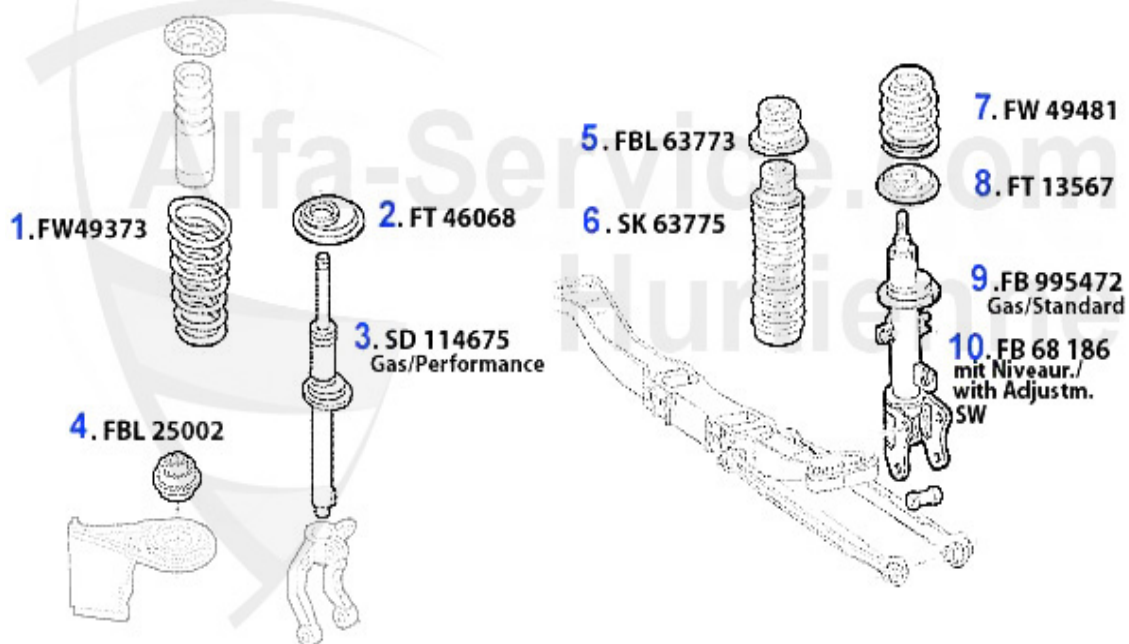
<b>1</b>	<b>HS165110</b>	<b>HANDBRAKE CABLE FRONT 145/6,147,155, SPIDER/GTV (916),NUOVO GT HANDBRAKE CABLE FRONT 145/6,147,155, SPIDER/GTV (916),NUOVO GT</b>	<b>19.08 EUR</b>
<b>2</b>	<b>HS25131</b>	<b>HANDBRAKE CABLE RIGHT 156/NUOVO GT</b>	<b>33.89 EUR</b>
<b>3</b>	<b>HS25132</b>	<b>HANDBRAKE CABLE LEFT 156/NUOVO GT</b>	<b>33.89 EUR</b>

## Federbeine/Struts 156 TS 16V



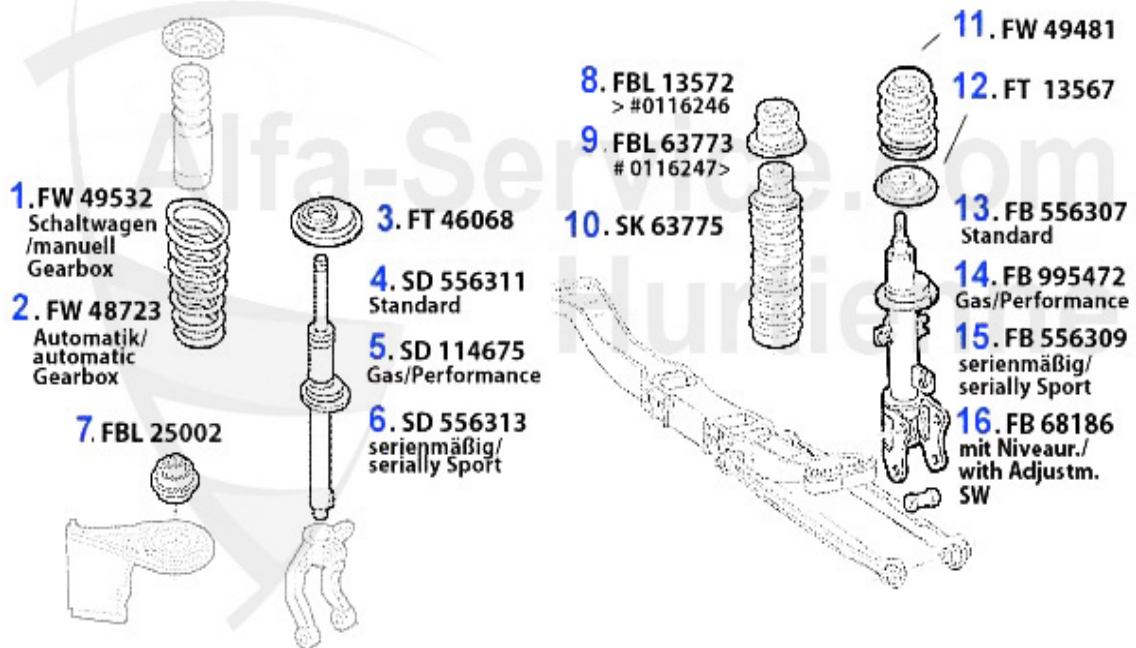
1	FW49480	Fahrwerksfeder vorne 156 1.6/1.8 16 V TS (ohne klima)	56.83 EUR
2	FW49531	Fahrwerksfeder vorne 156 4-zylinder 1.6/1.8 16V TS (mit klima) 2.0 16 V TS (ohne klima)	80.99 EUR
3	FT46068	OE.46746068 RING f. STRUT 147 FA (RUBBER)	5.00 EUR
4	SD556311	Stossdämpfer vorne 156 oben Stift/unten Schelle,1-Rohr Gas für Standardfahrwerk,Nuovo GT 4-Zyl. > #040893	107.72 EUR
5	SD114675	SHOCK ABSORBER FRONT 147,156, 1-PIPE GAS PERFORMANCE, OE.60671076	119.00 EUR
6	SD556313	Stossdämpfer vorne 156 oben Stift/unten Schelle ,1-Rohr Gas für Serien sportfahrwerk	114.89 EUR
7	FBL25002	OE.60625002,STRUT BEARING FRONT 147, 156,166, NOUVO GT	49.50 EUR
8	FBL13572	OE. 60613572 ELASTIC PAD f. REAR STRUT 156 > #0116246	***
9	FBL63773	OE. 60663773 ELASTIC PAD f. REAR STRUT 156 # 0116246>	114.99 EUR
10	SK63775	OE. 60663775 SHIELD f. STRUT RA 147	10.95 EUR
11	FW49481	Fahrwerksfeder hinten 147,156,Nuovo GT	69.00 EUR
12	FT13567	OE. 60613567 RING f. STRAUT 147 RA	55.00 EUR
13	FB556307	Federbein hinten 156,2-Rohr Gas	132.34 EUR
14	FB995472	Federbein hinten 156,1-Rohr Gas Sp ordtdämpfer zur Nachrüstung	179.52 EUR
15	FB556309	Federbein hinten 156,2-Rohr Gas,für Seriensportfahrwerk	142.60 EUR
16	FB68186	OE. 60668186 REAR SHOCK ABSORBER 156 SW with ADJUSTMENT	***

## Federbeine/Struts 2.0 JTS



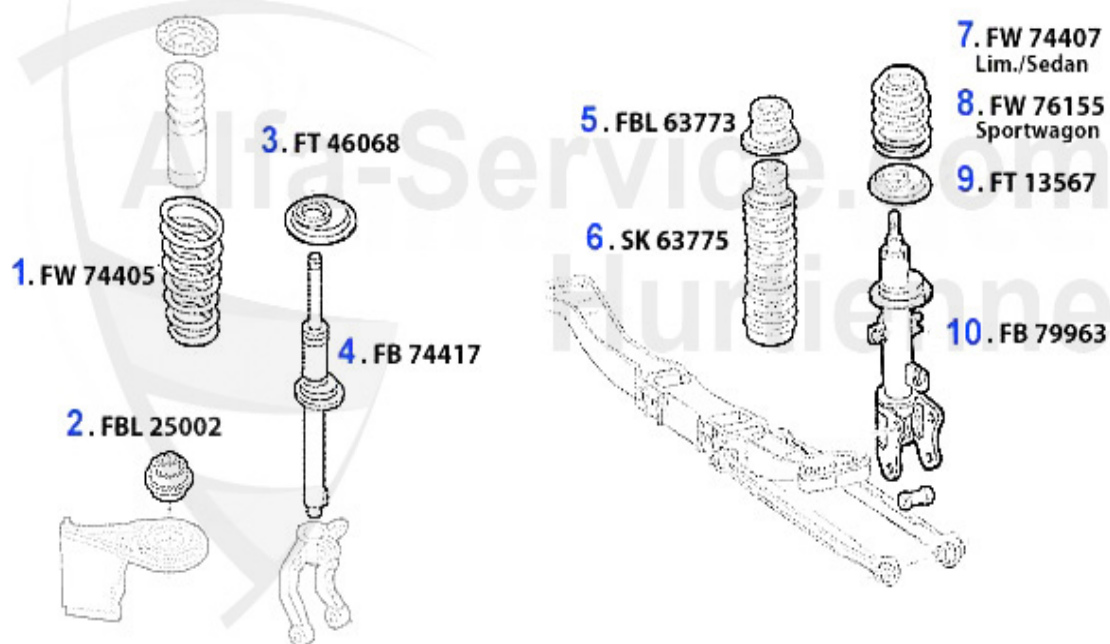
1	FW49373	Fahrwerksfeder vorne 156 2.0 16V TS (mit klima), 1.9 JTD (ohne klima)	55.91 EUR
2	FT46068	OE.46746068 RING f. STRUT 147 FA (RUBBER)	5.00 EUR
3	SD114675	SHOCK ABSORBER FRONT 147,156, 1-PIPE GAS PERFORMANCE, OE.60671076	119.00 EUR
4	FBL25002	OE.60625002,STRUT BEARING FRONT 147, 156,166, NOUVO GT	49.50 EUR
5	FBL63773	OE. 60663773 ELASTIC PAD f. REAR STRUT 156 # 0116246>	114.99 EUR
6	SK63775	OE. 60663775 SHIELD f. STRUT RA 147	10.95 EUR
7	FW49481	Fahrwerksfeder hinten 147,156,Nuovo GT	69.00 EUR
8	FT13567	OE. 60613567 RING f. STRAUT 147 RA	55.00 EUR
9	FB995472	Federbein hinten 156,1-Rohr Gas Sp ortdämpfer zur Nachrüstung	179.52 EUR
10	FB68186	OE. 60668186 RAER SHOCK ABSORBER 156 SW with ADJUSTMENT	***

## Federbeine/Struts 2.5 V6 24V



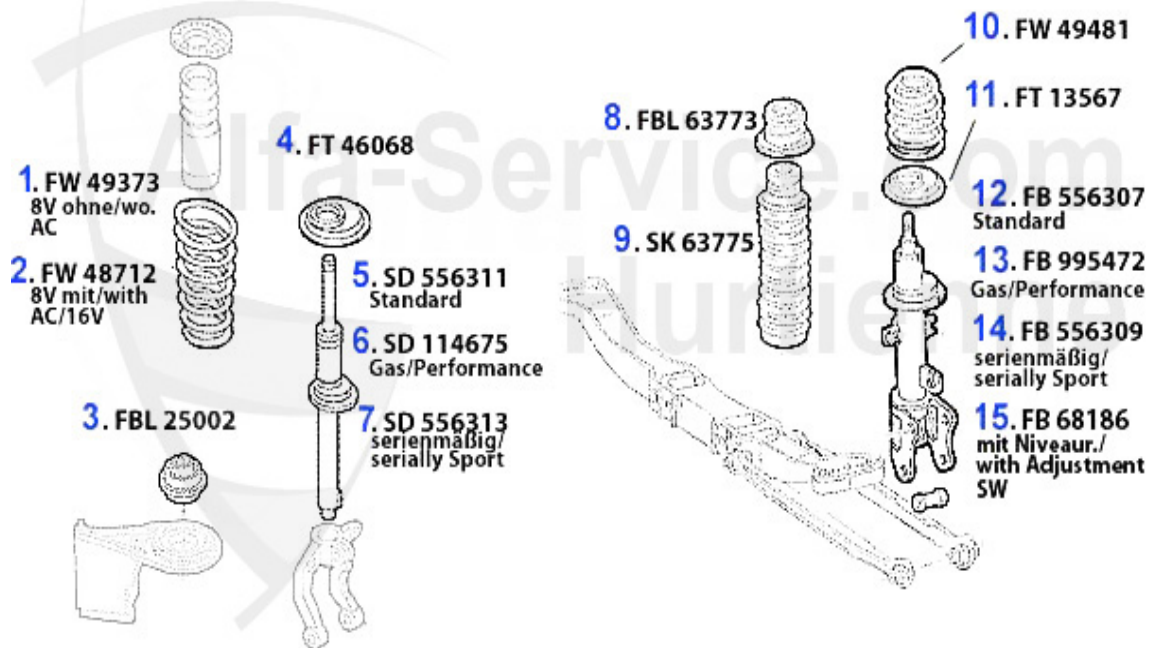
1	FW49532	FRONT SHOCK ABSORBER 156 6-CYL. 2.4 JTD (ONLY WITHOUT AC)	69.00 EUR
2	FW48723	OE. 60668437 SPRING FA Automatic	69.25 EUR
3	FT46068	OE.46746068 RING f. STRUT 147 FA (RUBBER)	5.00 EUR
4	SD556311	Stossdämpfer vorne 156 oben Stift/ unten Schelle,1-Rohr Gas für Standardfahrwerk,Nuovo GT 4-Zyl. > #040893	107.72 EUR
5	SD114675	SHOCK ABSORBER FRONT 147,156, 1-PIPE GAS PERFORMANCE, OE.60671076	119.00 EUR
6	SD556313	Stossdämpfer vorne 156 oben Stift/ unten Schelle ,1-Rohr Gas für Serien sportfahrwerk	114.89 EUR
7	FBL25002	OE.60625002,STRUT BEARING FRONT 147, 156,166, NUOVO GT	49.50 EUR
8	FBL13572	OE. 60613572 ELASTIC PAD f. REAR STRUT 156 > #0116246	***
9	FBL63773	OE. 60663773 ELASTIC PAD f. REAR STRUT 156 # 0116246>	114.99 EUR
10	SK63775	OE. 60663775 SHIELD f. STRUT RA 147	10.95 EUR
11	FW49481	Fahrwerksfeder hinten 147,156,Nuovo GT	69.00 EUR
12	FT13567	OE. 60613567 RING f. STRAUT 147 RA	55.00 EUR
13	FB556307	Federbein hinten 156,2-Rohr Gas	132.34 EUR
14	FB995472	Federbein hinten 156,1-Rohr Gas Sp ortdämpfer zur Nachrüstung	179.52 EUR
15	FB556309	Federbein hinten 156,2-Rohr Gas,für Seriensportfahrwerk	142.60 EUR
16	FB68186	OE. 60668186 RAER SHOCK ABSORBER 156 SW with ADJUSTMENT	***

## Federbeine/Struts 156 GTA



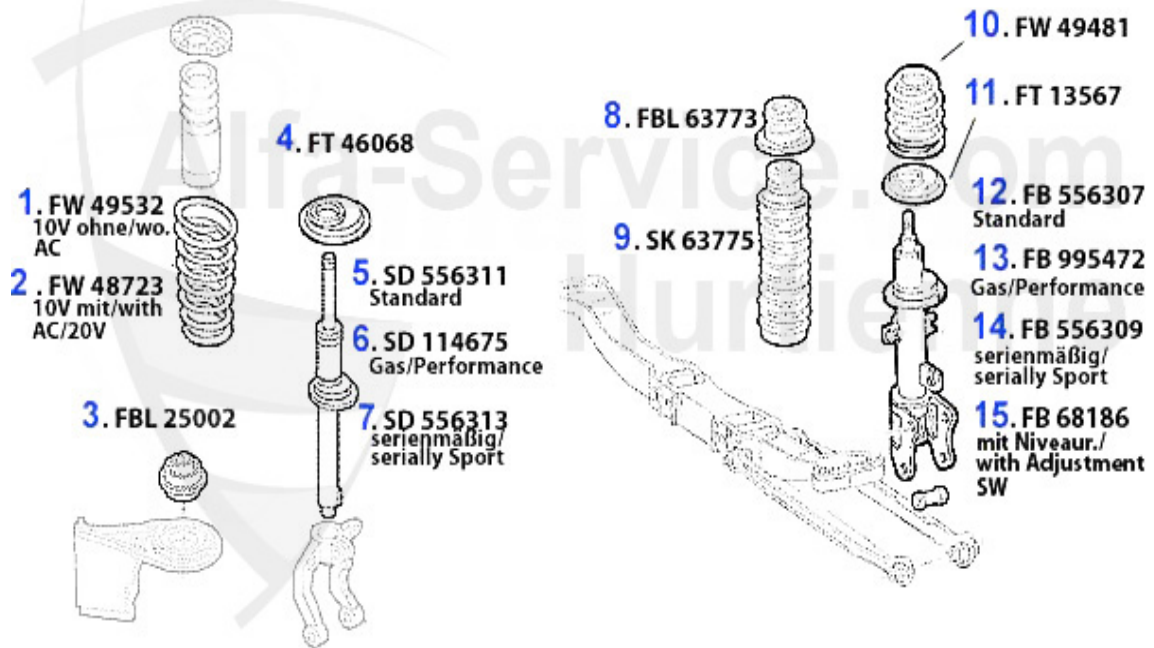
<b>1</b>	<b>FW74405</b>	OE. 60674405 SPRING FA 147 GTA	<b>89.00 EUR</b>
<b>2</b>	<b>FBL25002</b>	OE.60625002,STRUT BEARING FRONT 147, 156,166, NOUVO GT	<b>49.50 EUR</b>
<b>3</b>	<b>FT46068</b>	OE.46746068 RING f. STRUT 147 FA (RUBBER)	<b>5.00 EUR</b>
<b>4</b>	<b>FB74417</b>	OE. 60674417 SHOCK ABSORBER FA 156 GTA	<b>***</b>
<b>5</b>	<b>FBL63773</b>	OE. 60663773 ELASTIC PAD f. REAR STRUT 156 # 0116246>	<b>114.99 EUR</b>
<b>6</b>	<b>SK63775</b>	OE. 60663775 SHIELD f. STRUT RA 147	<b>10.95 EUR</b>
<b>7</b>	<b>FW74407</b>	OE. 60674407 SPRING RA 156 GTA SEDAN	<b>119.00 EUR</b>
<b>8</b>	<b>FW76155</b>	OE. 60676155 SPRING RA 156 SW GTA	<b>210.00 EUR</b>
<b>9</b>	<b>FT13567</b>	OE. 60613567 RING f. STRAUT 147 RA	<b>55.00 EUR</b>
<b>10</b>	<b>FB79963</b>	OE. 60679963 SHOCK ABSORBER RA 156/SW GTA	<b>***</b>

## Federbeine/Struts 156 1.9 JTD



1	FW49373	Fahrwerksfeder vorne 156 2.0 16V TS (mit klima), 1.9 JTD (ohne klima)	55.91 EUR
2	FW48712	OE. 60668248 SPRING FA 156 1.9 JTD with AC	70.78 EUR
3	FBL25002	OE.60625002,STRUT BEARING FRONT 147, 156,166, NOUVO GT	49.50 EUR
4	FT46068	OE.46746068 RING f. STRUT 147 FA (RUBBER)	5.00 EUR
5	SD556311	Stossdämpfer vorne 156 oben Stift/unteren Schelle,1-Rohr Gas für Standardfahrwerk,Nuovo GT 4-Zyl. > #040893	107.72 EUR
6	SD114675	SHOCK ABSORBER FRONT 147,156, 1-PIPE GAS PERFORMANCE, OE.60671076	119.00 EUR
7	SD556313	Stossdämpfer vorne 156 oben Stift/unteren Schelle ,1-Rohr Gas für Seriensportfahrwerk	114.89 EUR
8	FBL63773	OE. 60663773 ELASTIC PAD f. REAR STRUT 156 # 0116246>	114.99 EUR
9	SK63775	OE. 60663775 SHIELD f. STRUT RA 147	10.95 EUR
10	FW49481	Fahrwerksfeder hinten 147,156,Nuovo GT	69.00 EUR
11	FT13567	OE. 60613567 RING f. STRAUT 147 RA	55.00 EUR
12	FB556307	Federbein hinten 156,2-Rohr Gas	132.34 EUR
13	FB995472	Federbein hinten 156,1-Rohr Gas Sportdämpfer zur Nachrüstung	179.52 EUR
14	FB556309	Federbein hinten 156,2-Rohr Gas,für Seriensportfahrwerk	142.60 EUR
15	FB68186	OE. 60668186 REAR SHOCK ABSORBER 156 SW with ADJUSTMENT	***

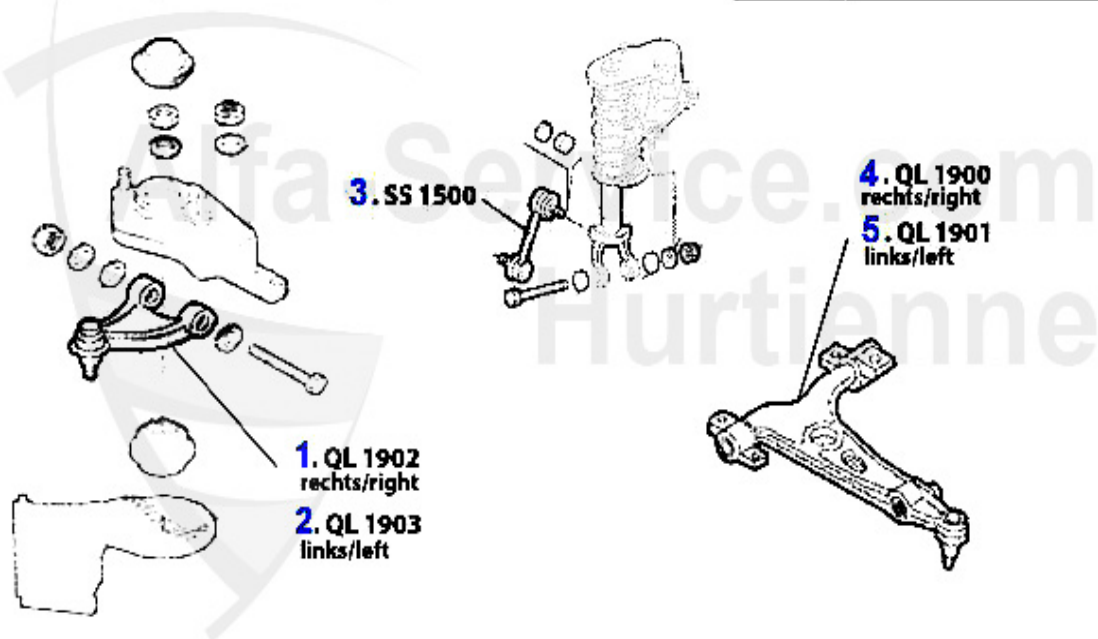
## Federbeine/Struts 156 2.4 JTD



1	FW49532	FRONT SHOCK ABSORBER 156 6-CYL. 2.4 JTD (ONLY WITHOUT AC)	69.00 EUR
2	FW48723	OE. 60668437 SPRING FA Automatic	69.25 EUR
3	FBL25002	OE.60625002,STRUT BEARING FRONT 147, 156,166, NOUVO GT	49.50 EUR
4	FT46068	OE.46746068 RING f. STRUT 147 FA (RUBBER)	5.00 EUR
5	SD556311	Stossdämpfer vorne 156 oben Stift/unteren Schelle,1-Rohr Gas für Standardfahrwerk,Nuovo GT 4-Zyl. > #040893	107.72 EUR
6	SD114675	SHOCK ABSORBER FRONT 147,156, 1-PIPE GAS PERFORMANCE, OE.60671076	119.00 EUR
7	SD556313	Stossdämpfer vorne 156 oben Stift/unteren Schelle ,1-Rohr Gas für Serien sportfahrwerk	114.89 EUR
8	FBL63773	OE. 60663773 ELASTIC PAD f. REAR STRUT 156 # 0116246>	114.99 EUR
9	SK63775	OE. 60663775 SHIELD f. STRUT RA 147	10.95 EUR
10	FW49481	Fahrwerksfeder hinten 147,156,Nuovo GT	69.00 EUR
11	FT13567	OE. 60613567 RING f. STRAUT 147 RA	55.00 EUR
12	FB556307	Federbein hinten 156,2-Rohr Gas	132.34 EUR
13	FB995472	Federbein hinten 156,1-Rohr Gas Sportdämpfer zur Nachrüstung	179.52 EUR
14	FB556309	Federbein hinten 156,2-Rohr Gas,für Seriensportfahrwerk	142.60 EUR
15	FB68186	OE. 60668186 REAR SHOCK ABSORBER 156 SW with ADJUSTMENT	***

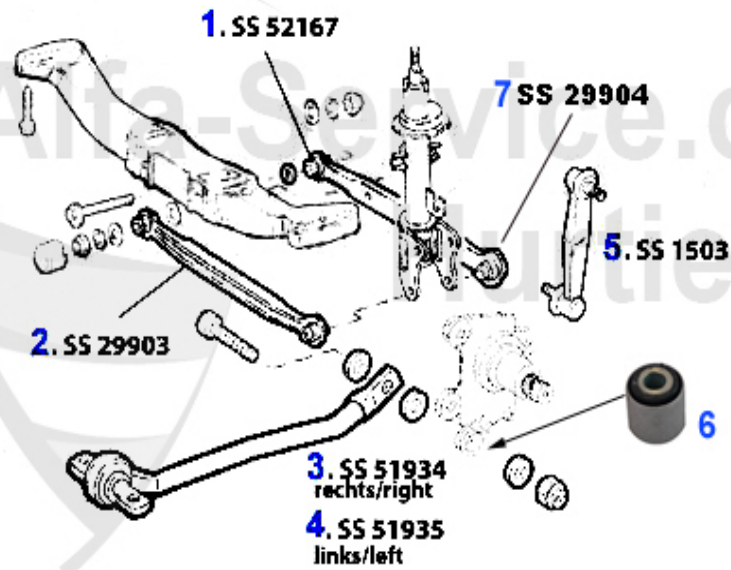


## Aufhängung/Attachment 156 vorne/front



1	QL1902	OE. 51776326 UPPER RIGHT SWINGING ARM 147, 156, Nuovo GT	77.65 EUR
2	QL1903	OE. 51776327 UPPER LEFT SWINGING ARM 147, 156, Nuovo GT	77.65 EUR
3	SS1500	OE. 46443389 FRONT STABILIZER 147, 156, Nuovo GT	28.00 EUR
4	QL1900	OE.60652466 front lower control arm right side,147,156, steel forged	79.00 EUR
5	QL1901	FRONT LOWER CONTROL ARM LEFT SIDE STEEL FORGED,147,156, OE. 60652465	79.00 EUR

## Aufhängung/Attachment 156 hinten/rear



1	SS52167	REAR STABILIZING BAR 147,156 BEHIND THE TRAVERSE	53.86 EUR
2	SS29903	REAR STABILIZING BAR 147,156 IN FRONT OF THE TRAVERSE	54.50 EUR
3	SS51934	OE. 60651934 Rod	82.00 EUR
4	SS51935	OE. 60651935 Rod	82.00 EUR
5	SS1503	OE. 60699021/60613575 REAR STABILIZER 147, 156, Nuovo GT	35.39 EUR
6	AB9034	OE. 60682636 BUSHING	15.90 EUR
7	SS29904	BUSHING FOR REAR ANTI-ROLL BAR 147/156	11.90 EUR

## Radlager/Wheel Bearing 156

vorne/front:



hinten/rear:



1	RN16025	OE. 60671437 BEARING	159.00 EUR
2	RN3000	Radnabe vorne 156,gtv/spider (916)	74.99 EUR
3	RN16026	OE.60652014 WHEEL HUB 147,156, NUOVO GT WITH ABS	***

## Lenkung/Steering 156

---



1. SSK 1103  
links/left

2. SSK 1102  
rechts/right

3. LMS 91005

1	SSK1103	Spurstangenkopf links 147,156,166	37.00 EUR
2	SSK1102	Spurstangenkopf rechts 147,156,166	37.00 EUR
3	LMS91005	STEERING BOOT 147/156/166	22.99 EUR

## 156 > ELECTRIC > FUSE



1	FSI075	Flachsteck-Sicherung 7,5 A	0.20 EUR
2	FSI010	Flachsteck-Sicherung 10 A	0.20 EUR
3	FSI020	Flachsteck-Sicherung 20 A	0.20 EUR
4	FSI025	Flachsteck-Sicherung 25 A	0.20 EUR
5	FSI030	Flachsteck-Sicherung 30 A	0.20 EUR ***

## 156 > ELECTRIC > ENGINE ELECTRIC > GLOW PLUG



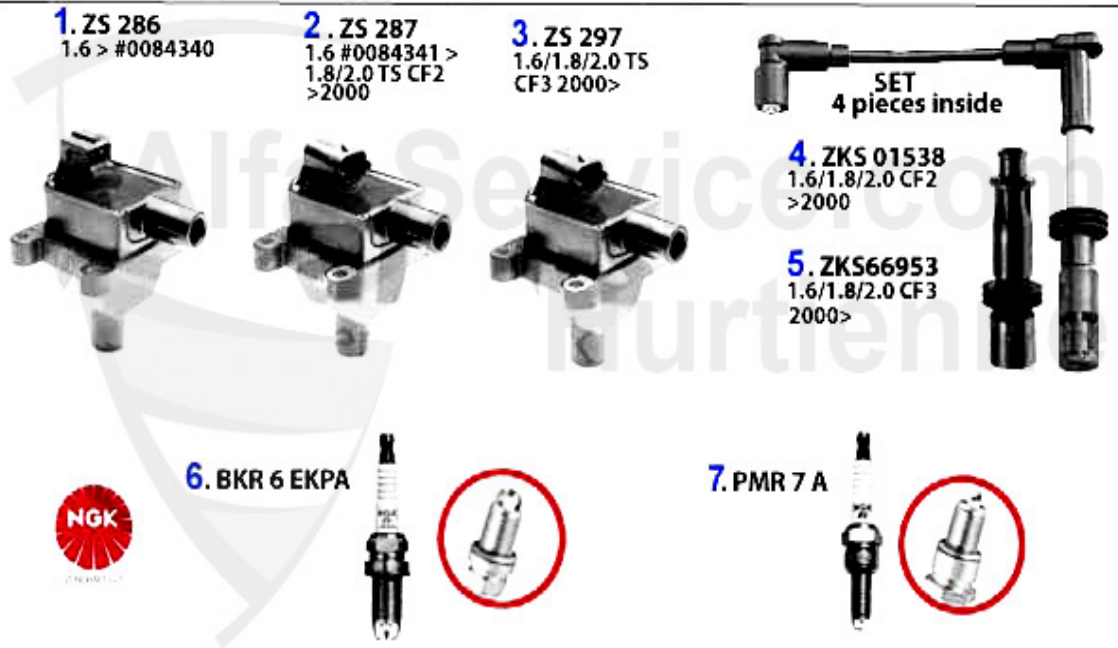
1	GK17	Glühkerze Beru 145/6,156,166 1.9/2. 4 JTD	12.90 EUR
1	GK41	Glühkerze Beru 145/6 1.9 JTD Bj. 2. 99-1.01,156 1.9/2.4 JTD Bj. >10.02, 166 2.4 JTD Bj. 04.02>	22.13 EUR
1	GK03001	Glühkerze Bosch 147,156 1.9 JTD Bj. 11.02>,166 2.5 JTD,Nuovo GT 1.9 JTD	23.09 EUR
1	GK08	Glühkerze 147,156,166,GT, Brera/Spider /Motor 16V+20V Steckbefestigung	15.01 EUR

156 > ELECTRIC > ENGINE ELECTRIC > SENSORS



1	ODS404012	12.00 EUR
7	Öldruckschalter 145/6,147,155,156,1 66,gtv/spider (916),Nuovo GT, 4-Zylinder TS 16 V	
1	ODS404068 OE.60807764 oil pressure switch 147 155,156,164,166 gtv/spider(916), Nouvo GT all 6 cylinder	15.01 EUR
2	BLS610296 Bremslichtschalter (mech.) 147/156/ Nuovo GT JTD	24.00 EUR
2	BLS313016(Bremslichtschalter 145/6,156,166,gt v/spider (916) 3.0 24V	13.99 EUR
2	BLS610295 Bremslichtschalter 147,156,166,gtv/ spider (916) Bj. 98>,Nuovo GT	9.00 EUR
3	WTG60149 Geber Kühlwassertemperatur 145/6, 155, 156, gtv/spider (916) 2 Anschlüsse, eckig	16.01 EUR
4	KWS69912 Nockenwellen-Sensor 145/6,147,155, 156,Nuovo GT,gtv/spider (916) 97-02 (Motor CF2)	69.00 EUR
4	NWS92752 KNOCK SENSOR SPIDER/GTV (916),164,155, 156,166,145,146	39.90 EUR
4	KWS69866 OE. 46469866 SENDING UNIT TS 16V	45.90 EUR
5	NWS69912 OE. 46469912 SENDING UNIT CAMSHAFT TS 16V	68.00 EUR
6	KPS610298 CLUTCH PEDAL SWITCH OE46840511	12.00 EUR
7	RFS9076 Rückfahrl.-Schalter 147,155, 156,gtv/spider (916),Nuovo GT, 145/6 1.4-2.0TS u. 1.9TD	12.00 EUR
7	RFS4553 OE. 46434553 SWITCH GEARBOX	39.00 EUR
8	ZIG2810022	144.00 EUR
13	Sensor Nockenwellenposition 145/6 JTD,147 JTD,156JTD 159JTD,166JTD OE 46481640/60814770 OE 46432103	

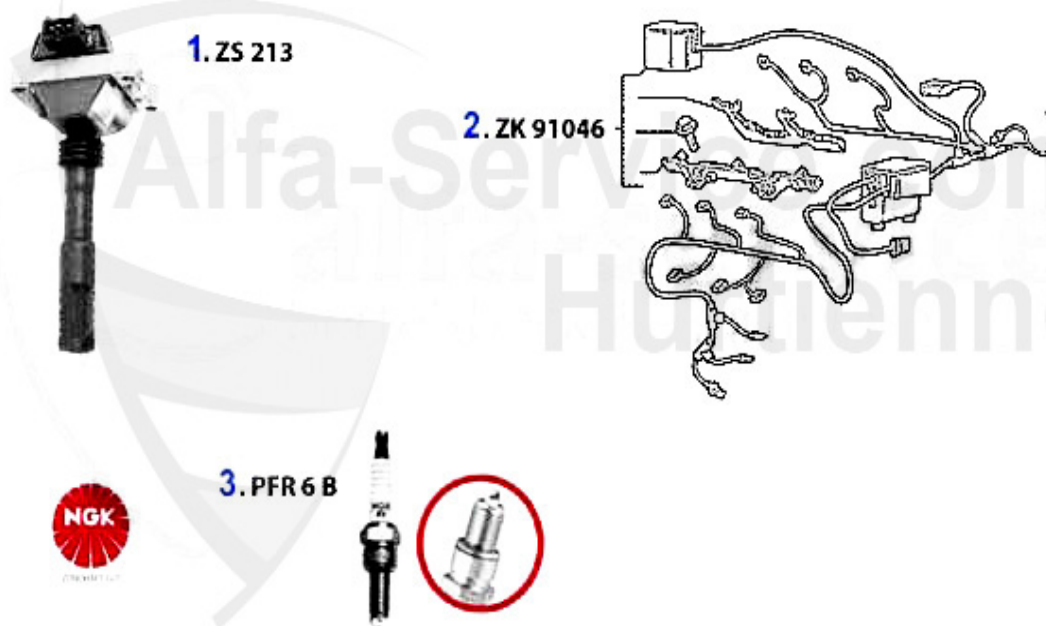
# Zündanlage/Ignitionsystem 156 TS



1	ZS286	IGNITION COIL 145/6,155,156,SPIDER/GTV (916) 1.6-2.0 TS 95>	67.00 EUR
2	ZS287	IGNITION COIL 145/6,155,156,166,GTV/ SPIDER (916) 1.4-2.0 TS 09.97>	88.50 EUR
3	ZS297	IGNITION COIL 147,166,GTV/SPIDER (916) CF 3	94.90 EUR
4	ZKS01538	Kabelsatz 145/6 1.4/1.6/1.8/2.0 ie 16V TS bj. 97>,155 1.6/1.8/2.0 ie 16V TS,gtv/spider 1.8/2.0 16V TS, 166 2.0 TS	165.01 EUR
5	ZKS66953	IGNITION CABLE SET 147, 156, 166, gtv/ spider (916), Nuovo GT - TS 16V CF3	79.00 EUR
6	BKR 6 EKPA	SPARK PLUG 2 X PLATINUM 145/6,147,155 156,166 GTV/SPIDER(916)ALL 4-CYL. TS JTS YEAR 95>IMPORTANT: 2 SPARKS EACH CYL. 1X BKR 6 EKPA/1X PMR 7 A	27.50 EUR
7	PMR 7 A	Zündkerze NGK Iridium Langzeitkerze 145/6,147,155,156,166,gtv/spider (9 16) alle 4-Zylinder TS/JTS Bj. 95> ACHTUNG: benötigt werden 2 Kerzen je Zylinder je 1x PMR 7 A/BKR 6 EKPA	27.50 EUR



## Zündanlage/Ignitionsystem 156 V6



1	ZS213	OE. 60562701 IGNITION COIL 156,164, 166.spider/gtv(916) 2.5/3.0 V6 24V 94-00	104.90 EUR
3	PFR 6 B	Zündkerze NGK 33 1.7 ie 16V,145/6 1 .7 ie 16V,147 3.2 GTA,156 2.5 V6 24V/3.2 GTA,164 Super 3.0 V6 24V,166 2.5/3.0 V6 24V,gtv/spider (916) 3.0 V6 24V/3.2 V6	19.00 EUR

## Aggregate/Aggregats 156 TS



1	AN17770	Anlasser 145 1.7ie 16V/2.0 16V QV bj. 03.98>, 147 1.6/2.0 16V TS 156,gtv/spider (916) 2.0 TS bj. 98>	174.99 EUR
2	AN19930	OE. 55193406 STARTER MOTOR TS 16V/JTS 156 # 1287014>	235.00 EUR
3	LI40640	ALTERNATOR 145/6 1.4-2.0 ie 16V 96-01, 155 1.6 16V,156 1.8 16V/2.4 JTD 10V	216.46 EUR
4	LI62660	ALTERNATOR 145/6,155,156,GTV/SPIDER (916) 2.0 TS	276.98 EUR
5	LI62550	ALTERNATOR 155 1.6/1.7/1.8 TS 16V (WITH AC) 96>	204.14 EUR
7	LI42780	Lichtmaschine 145/6 1.7 ie 16V Bj. 98-01,147 (mit Klima),156 (mit Klim a) Bj. 10.00> 166, gtv/spider (916)	318.02 EUR

## Aggregate/Aggregats 156 JTS

---

1. AN 19 930



2. LI 82 219



1	AN19930	OE. 55193406 STARTER MOTOR TS 16V/JTS 156 # 1287014>	235.00 EUR
2	LI82219	OE. 46782219 ALTERNATOR 2.0 TS 16V/JTS 2002>	299.00 EUR

## Aggregate/Aggregats 156 V6 24V

1. AN 15 600



2. LI 41 280

120 A  
> 2000  
Poly.-V6



3. LI 73 305

120 A  
2000 >  
Poly.-V6



2	LI41280	ALTERNATOR, 156,166 GTV/SPIDER(916) 6 CYL.-EXCHANGE PART	419.00 EUR
3	LI73305	OE. 60673305 ALTERNATOR 3.2 V6 24V - GTA	259.00 EUR
3	LI73305B	OE. 60673305 ALTERNATOR 3.2 V6 24V - GTA	578.99 EUR

## Aggregate/Aggregats 156 1.9 JTD 8V

1. AN 17 790



2. LI 68 170  
100 A

3. LI 89 068  
120 A



1	AN17790	STARTER 145/6,147,156 1.9 TD/JTD	219.53 EUR
2	LI68170	OE. 60816045 GENERATOR 145/6 1.9 JTD 100 A	330.33 EUR
3	LI89068	OE. 46809068 ALTERNATOR 1.9 JTD 16V 147	406.24 EUR

## Aggregate/Aggregats 156 1.9 JTD 16V

---

1. AN 80 159

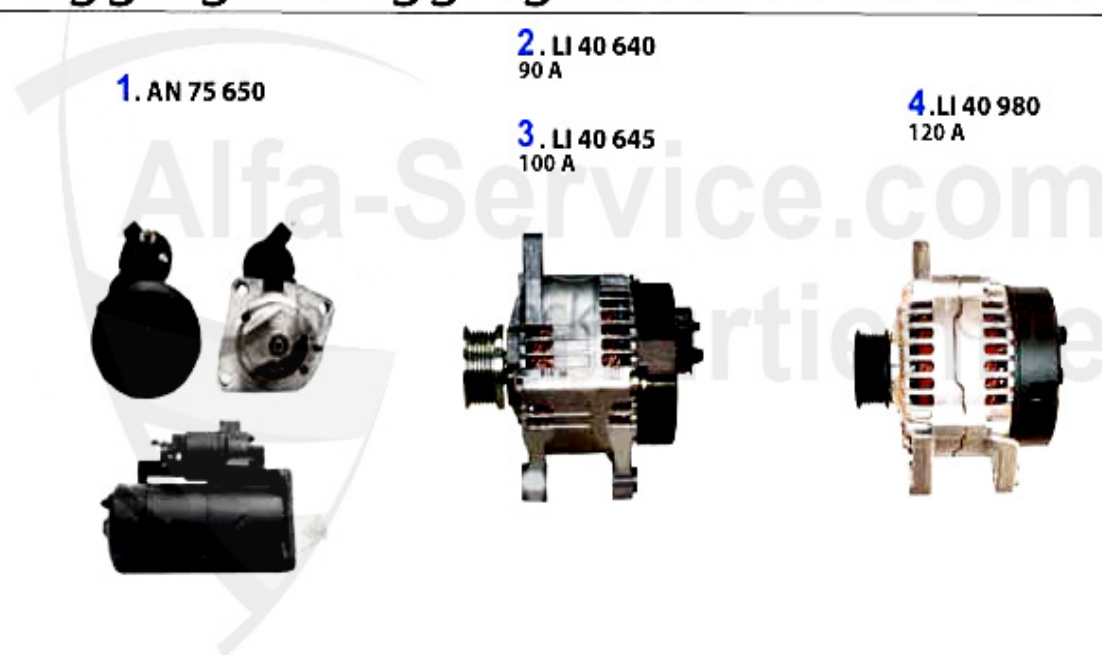


2. LI 89 068



1	AN80159	OE. 46800159 STARTER MOTOR 1.9 JTD 16V 147	265.70 EUR
2	LI89068	OE. 46809068 ALTERNATOR 1.9 JTD 16V 147	406.24 EUR

## Aggregate/Aggregats 156 2.4 JTD 10V



<b>1</b>	<b>AN75650</b>	<b>STARTER 156,166 2.4 JTD</b>	<b>251.34 EUR</b>
<b>2</b>	<b>LI40640</b>	<b>ALTERNATOR 145/6 1.4-2.0 ie 16V 96-01, 155 1.6 16V,156 1.8 16V/2.4 JTD 10V</b>	<b>216.46 EUR</b>
<b>3</b>	<b>LI40645</b>	<b>ALTERNATOR 145/6 (WITH AC),155/6 1.6/ 1.8 16V TS (WITH AC)</b>	<b>287.24 EUR</b>
<b>4</b>	<b>LI40980</b>	<b>ALTERNATOR 156 2.4 JTD (WITH AC)</b>	<b>378.54 EUR</b>

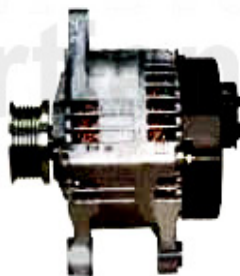
## Aggregate/Aggregats 156 2.4 JTD 20V

---

1. AN 80159



2. LI 89 068  
120 A



1	AN80159	OE. 46800159 STARTER MOTOR 1.9 JTD 16V 147	265.70 EUR
2	LI89068	OE. 46809068 ALTERNATOR 1.9 JTD 16V 147	406.24 EUR



156 > INTERIOR > CAR MAT



1	FMS 156 GTA	FLOR MATS 156 GTS BLACK/RED EMBLEM	61.04 EUR
1	FMS 156	FLOOR MAT SET 156 BLACK VELOUR WITH RED EMBLEM	61.04 EUR