

## **Alfa Romeo Brera/Spider (939)**

# table of contents

<b>Brera/Spider (939)</b> .....	6
<b>BODY</b> .....	6
MIRROR .....	6
LIGHTNING REAR.....	7
LIGHTNING FRONT .....	8
BODY PANELS.....	9
GAS PRESSURE SPRING .....	10
<b>ENGINE</b> .....	11
AIR SYSTEM.....	11
V-BELTS.....	12
1.8/2.0 TS .....	12
2.0 JTS.....	13
2.0 V6 Turbo.....	14
3.0 V6 .....	15
3.0/3.2 V6 24V .....	16
ENGINE BLOCK.....	17
PISTON + LINERS .....	17
1.8 TS 16V.....	17
3.0 V6 12V .....	18
PIL PAN .....	19
FUEL SYSTEM .....	20
1.8/2.0 TS .....	20
FUEL PUMP .....	20
2.0 JTS .....	21
FUEL PUMP .....	21
2.0 V6 Turbo.....	22
FUEL PUMP .....	22
3.0 V6 .....	23
FUEL PUMP .....	23
3.0/3.2 V6 24V .....	24
FUEL PUMP .....	24
ENGINE GASKETS .....	25
1.8/2.0 TS .....	25
GASKETS ENGINE .....	25
HEAD SET .....	26
FULL SET .....	27
HEADSCREW SET .....	28
2.0 JTS.....	29
GASKETS ENGINE .....	29
HEAD SET .....	30
2.0 V6 Turbo.....	31
GASKETS ENGINE .....	31
HEAD SET .....	32
FULL SET .....	33
3.0 V6 .....	34
GASKETS ENGINE .....	34
HEAD SET .....	35

FULL SET .....	36
3.0/3.2 V6 24V .....	37
GSKETS ENGINE .....	37
HEAD SET .....	38
FULL SET .....	39
HEADSCREW SET .....	40
COOLING SYSTEM .....	41
1.8/2.0 TS .....	41
RADIATOR .....	41
THERMOSTAT .....	42
WATERPUMP .....	43
OVERFLOW CONTAINER.....	44
2.0 JTS .....	45
RADIATOR .....	45
RADIATOR HOSES.....	46
THERMOSTAT .....	47
WATERPUMP .....	48
OVERFLOW CONTAINER.....	49
2.0 V6 Turbo.....	50
RADIATOR .....	50
THERMOSTAT .....	51
WATERPUMP .....	52
OVERFLOW CONTAINER.....	53
3.0 V6 .....	54
RADIATOR .....	54
THERMOSTAT .....	55
WATERPUMP .....	56
OVERFLOW CONTAINER.....	57
3.0/3.2 V6 24V .....	58
RADIATOR .....	58
THERMOSTAT .....	59
WATERPUMP .....	60
OVERFLOW CONTAINER.....	61
ENGINE MOUNT.....	62
2.2 JTS 16V .....	62
1.8/2.0 TS .....	63
2.0 JTS .....	64
2.0 V6 Turbo.....	65
3.0 V6 .....	66
3.0/3.2 V6 24V .....	67
VALVE GEAR.....	68
3.2 JTS .....	68
TIMING CHAIN .....	68
CAMSHAFT .....	69
2.2 JTS .....	70
CAMSHAFT .....	70
FILTER.....	71
1.8/2.0/2.2 TS .....	71
2.0 JTS .....	72
2.0 V6 Turbo.....	73

3.0 V6 .....	74
3.0/3.2 V6 24V .....	75
EXHAUST SYSTEM.....	76
EXHAUST SYSTEM.....	76
1.8/2.0 TS .....	76
2.0 JTS .....	77
2.0 V6 Turbo.....	78
3.0 V6 12V .....	79
3.0 V6 24V .....	80
3.2 V6 24V/GTA .....	81
LAMBDA PROBE.....	82
1.8/2.0 TS .....	82
2.0 JTS .....	83
2.0 V6 Turbo.....	84
3.0 V6 12V .....	85
3.0 V6 24V .....	86
3.2 V6 24V/GTA .....	87
DRIVETRAIN.....	88
DRIVE SHAFT .....	88
2.4 JTD .....	88
CLUTCH .....	89
CLUTCH SET 1.8/2.0 TS .....	89
GUIDE BUSH f. SLEEVE BEARING 1.8/2.0 TS .....	90
CLUTCH SET 2.0 JTS .....	91
GUIDE BUSH f. SLEEVE BEARING 2.0 JTS .....	92
CLUTCH SET 2.0 V6 Turbo .....	93
GUIDE BUSH f. SLEEVE BEARING 2.0 V6 Turb .....	94
CLUTCH SET 3.0 V6 12V .....	95
GUIDE BUSH f. SLEEVE BEARING 3.0 V6 .....	96
CLUTCH SET 3.0 V6 24V .....	97
GUIDE BUSH f. SLEEVE BEARING 3.0 V6 .....	98
CLUTCH SET 3.2 V6 24V .....	99
GUIDE BUSH f. SLEEVE BEARING 3.2 V6 24V .....	100
CLUTCH ACTUATION.....	101
1.8/2.0 TS .....	101
2.0 JTS .....	102
2.0 V6 Turbo.....	103
3.0 V6 12V .....	104
3.0 V6 24V .....	105
3.2 V6 24V/GTA .....	106
BRAKE.....	107
BRAKE DISKS .....	107
CALIPERS .....	108
BRAKE CABLE.....	109
BRAKE HOSE FRONT .....	110
BRAKE HOSE REAR.....	111
SUSPENSION .....	112
STRUT FRONT .....	112
STRUT REAR.....	113
ATTACHMENT FRONT.....	114

WHEEL BEARING 4-Cyl. ....	115
WHEEL BEARING 6-Cyl. ....	116
STEERING .....	117
STEERING PARTS .....	117
ELECTRIC .....	118
WINDOW POWER LIFTER .....	118
INSTRUMENTS .....	119
SWITCHES .....	120
FUSE .....	121
ENGINE ELECTRIC .....	122
SENSOR.....	122
AGGREGATS .....	123
INTERIOR PARTS .....	124
CAR MAT .....	124

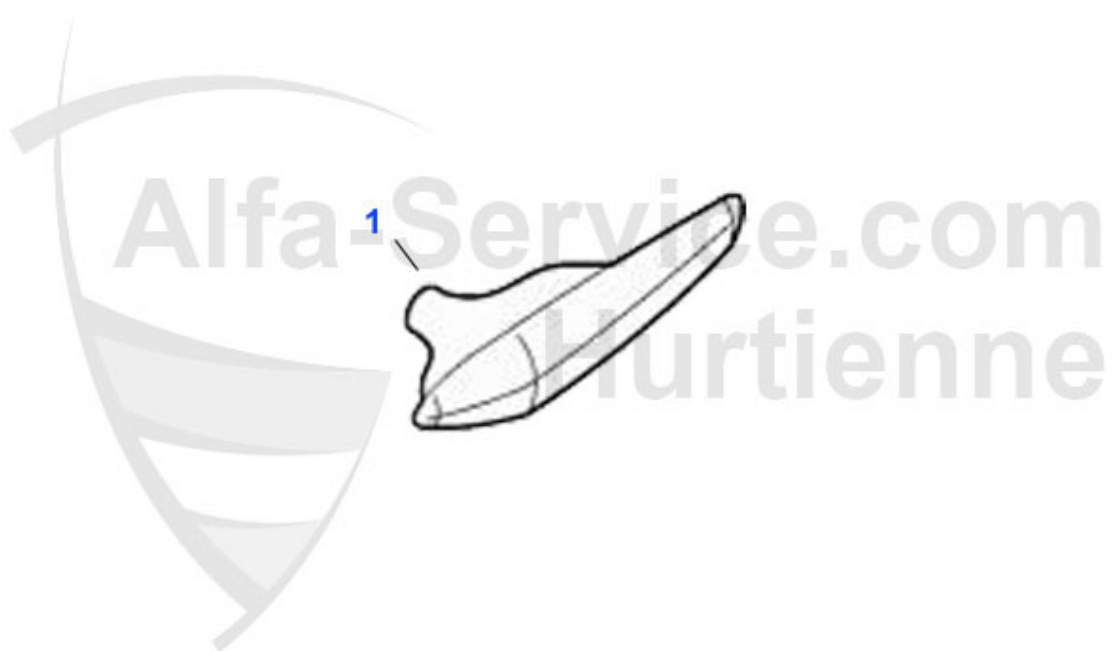
Brera/Spider (939) > BODY > MIRROR



3 ASP48264 Spigelglas links Brera, Spider 06-10

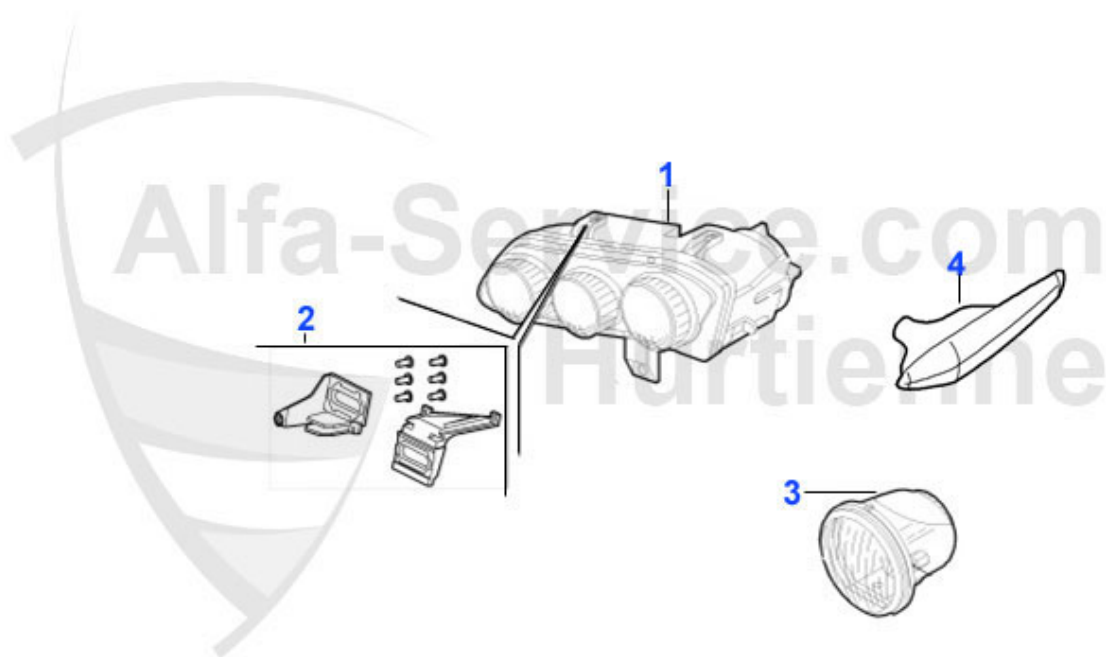
64.00 EUR

Brera/Spider (939) > BODY > LIGHTNING REAR



6	ZBL91106	ADDITIONAL DIRECTION INDICATOR LAMP 159, RIGHT	23.50 EUR
6	ZBL91105	ADDITIONAL DIRECTION INDICATOR LAMP 159, LEFT	29.00 EUR

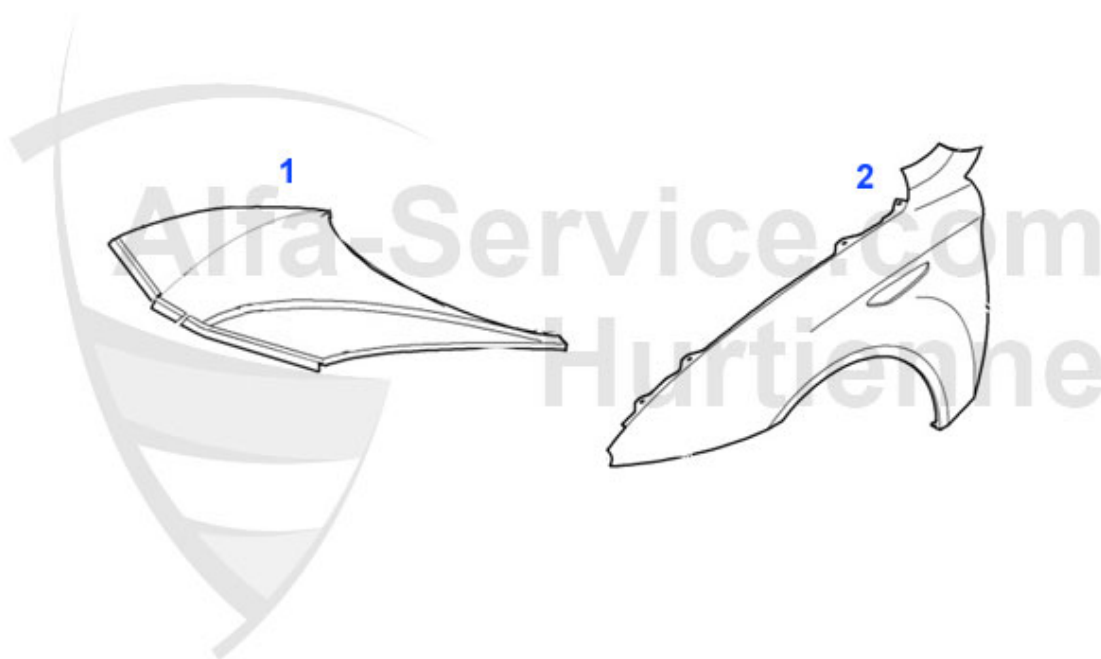
## Brera/Spider (939) > BODY > LIGHTNING FRONT



1	SW83987	XENON HEADLIGHT ALFA 159 RIGHT HAND 09/2005>	879.01 EUR
1	SW83988	XENON HEADLIGHT ALFA 159 LEFT HAND 09/2005	879.01 EUR
1	SW82088	Hauptscheinwerfer H1 AR159 rechts Bj.05-08, Brera + Spider Bj.05>	214.78 EUR
1	SW82089	Hauptscheinwerfer H1 AR159 links Bj.05-08, Brera + Spider ab 05>	214.78 EUR
2	BFK01080	FIXING KIT MAIN LIGHT AR159, LEFT	13.61 EUR
3	NSW04508	FOG LAMP 159, BRERA >05, SPIDER >06	61.24 EUR
4	ZBL91106	ADDITIONAL DIRECTION INDICATOR LAMP 159, RIGHT	23.50 EUR
4	ZBL91105	ADDITIONAL DIRECTION INDICATOR LAMP 159, LEFT	29.00 EUR



## Brera/Spider (939) > BODY > BODY PANELS



1	MH88260	FRONT HOOD 159	386.77 EUR
2	KF88227	MUDGUARD 159 FRONT LEFT	120.00 EUR
2	KF88211	MUDGUARD 159 FRONT RIGHT	120.00 EUR

## Brera/Spider (939) > BODY > GAS PRESSURE SPRING



<b>1</b>	<b>GF88574</b>	<b>BONNTE GAS SPRING 159,BRERA 05&lt;,SPIDER 06&lt; (250N), LENGTH 600mm</b>	<b>45.10 EUR</b>
<b>2</b>	<b>GF4168</b>	<b>Gasfeder Heckdeckel Spider 06-10 (380N) Länge 270mm</b>	<b>40.00 EUR</b>

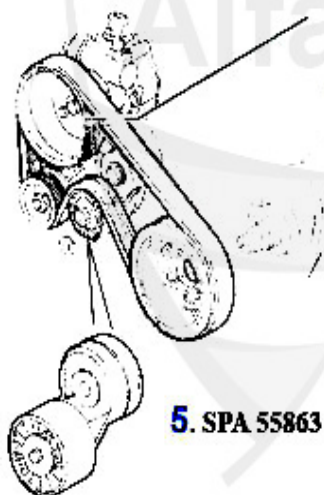
## Brera/Spider (939) > ENGINE > AIR SYSTEM



1	LR13829	OE. 71713829 ELECTRO-VALVE	***
2	LMS83896	Air flow hose GTV/Spider (916) 3,0 V6 12V between air flow meter and throttle	60.00 EUR
2	LMS58050	OE. 60658050 AIR DUCTING gtv/spider (916) 1.8/2.0 TS CF2/3 16V	***
3	LMM16748	OE. 46416748 AIR FLOWMETER 164/Super, gtv/spider (916) 3.0 V6 12V	***
3	LMM59804	OE. 46541253/60814852/46559804/55193048 0280218019,AIR FLOW METER DIV MODELLS Aftermarket product 5-pole	59.00 EUR
4	LR37024	OE. 7637024 IDLE VALVE BOSCH 155,164, gtv/spider (916)	***
5	LR66481	OE. 7766481 ELECTRO-VALVE	295.00 EUR
6	LMS58049	UPPER AIRINTAKE HOSE GTV/Spider 98-06 1.8 / 2.0 TS	46.90 EUR

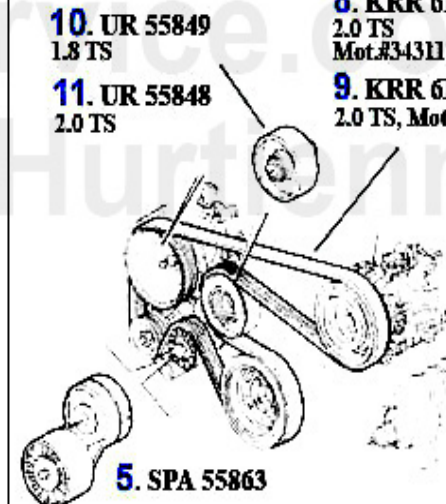
## Keilriemen/V-Belt gtv/spider (916) TS 16V

ohne/without  
Klimaanlage/AC:



- 1. KRR 6PK1045**  
1.8 TS
- 2. KRR 7PK1083**  
2.0 TS, >Mot.#1385143
- 3. KRR 6PK1082**  
2.0 TS  
Mot.#1385144-2835764
- 4. KRR 6PK1062**  
2.0 TS, Mot.#2835765>

mit/with  
Klimaanlage/AC:



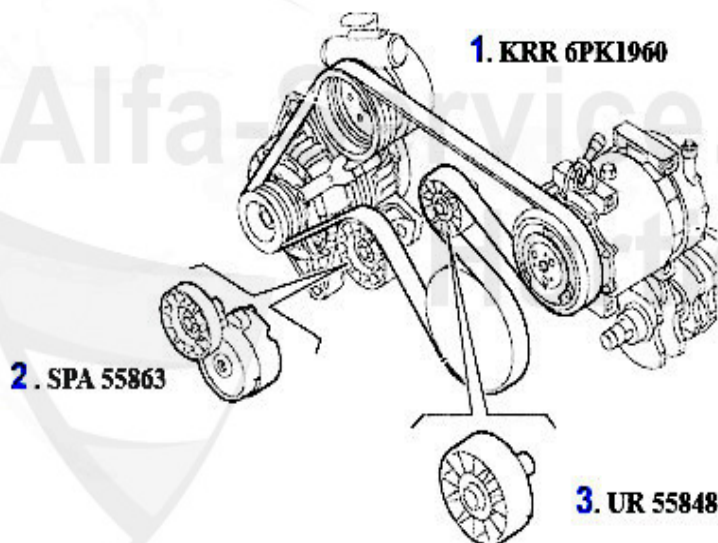
- 6. KRR 6PK1855**  
1.8 TS
- 7. KRR 7PK1952**  
2.0 TS, >Mot.#343116
- 8. KRR 6PK1975**  
2.0 TS  
Mot.#343117-2835764
- 9. KRR 6PK1960**  
2.0 TS, Mot.#2835765>
- 10. UR 55849**  
1.8 TS
- 11. UR 55848**  
2.0 TS

**5. SPA 55863**

**5. SPA 55863**

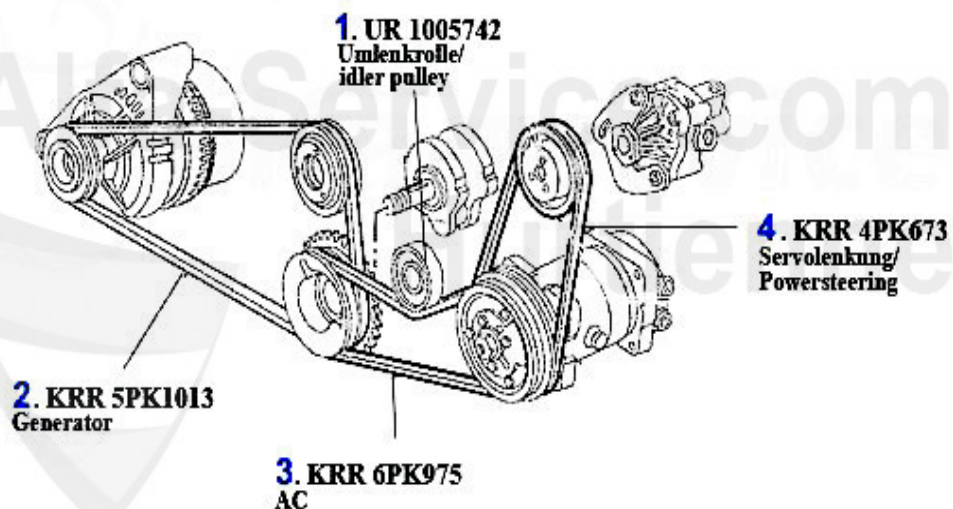
<b>1</b>	<b>KRR6PK104</b> 5	Keilrippenriemen 6PK1045 145/6 Bj. 97>,155,156,gtv&spider(916) 1.4/1.6 /1.8 TS 16V ohne Klima Generator/S ervopumpe	<b>20.00 EUR</b>
<b>2</b>	<b>KRR7PK108</b> 3	Keilrippenriemen 7PK1083 145/6,155 156,166,gtv/spider (916) bis Motor # 1385143, Servopumpe	<b>28.00 EUR</b>
<b>3</b>	<b>KRR6PK108</b> 2	Keilrippemriemen 6PK1082 145/6 2.0 TS 16V,147 2.0 TS/JTS,156/166 2.0 T S,gtv/spider (916) Bj. 98> 2.0 TS o hne Klima, Generator/Servopumpe	<b>25.00 EUR</b>
<b>4</b>	<b>KRR6PK106</b> 2	Keilrippenriemen 6PK1062 147,156 2. 0 16V TS CF 3 ohne Klima Generator/ Servopumpe	<b>22.50 EUR</b>
<b>5</b>	<b>SPA55863</b>	DRIVE BELT TENSIONER 145/6/7,155/6,166,916 2.0	<b>44.49 EUR</b>
<b>6</b>	<b>KRR6PK185</b> 5	V-RIBBED BELT 6PK1855,OE.60814395,145/6 1.4/1.8 TS 16V YEAR 97>,1.6 TS,1.6/1.8 16V,GTV/SPIDER 1.8 16V TS YEAR 98> GENERATOR,SERVOPUMP,AIR-CON-COMPRESSOR	<b>28.50 EUR</b>
<b>7</b>	<b>KRR7PK195</b> 2	Keilrippenriemen 7PK1952 145/6,155, gtv/spider (916) 2.0 TS 16V ab Moto r # 343116, Generator/Servopumpe/KI imakompressor	<b>52.50 EUR</b>
<b>8</b>	<b>KRR6PK197</b> 5	OE.60815414/60630741 RIBBED V- BELT,156/166/GTV/SPIDER(916)CF3 2.0L TS 16V UNTIL ENGINE #1385143 GENERATOR/SERVOPUMP/AIRCON COMPRESSOR 6PK1975 145/6/147	<b>35.50 EUR</b>
<b>9</b>	<b>KRR6PK196</b> 0	RIBBED BELT 6PK1960	<b>40.00 EUR</b>
<b>10</b>	<b>UR55849</b>	OE.60812515,REVERSE ROLLER FOR RIPPED V-BELT 145/6/7,155/6,GTV/SPIDER(916) 1.4/1.6/1.8 TS (WITH AIR CON)	<b>34.00 EUR</b>
<b>11</b>	<b>UR55848</b>	DRIVE BELT BEARING 156 2.0,145,166,916	<b>55.00 EUR</b>

## Keilriemen/V-Belt gtv/spider (916) 2.0 JTS



1	KRR6PK196 0	RIBBED BELT 6PK1960	40.00 EUR
2	SPA55863	DRIVE BELT TENSIONER 145/6/7,155/6,166,916 2.0	44.49 EUR
3	UR55848	DRIVE BELT BEARING 156 2.0,145,166,916	55.00 EUR

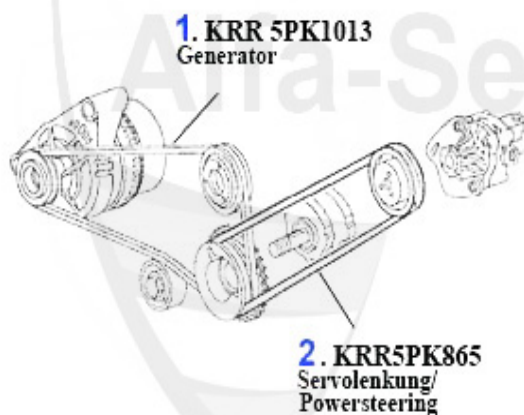
## Keilriemen/V-Belt gtv/spider (916) 2.0 V6 Turbo



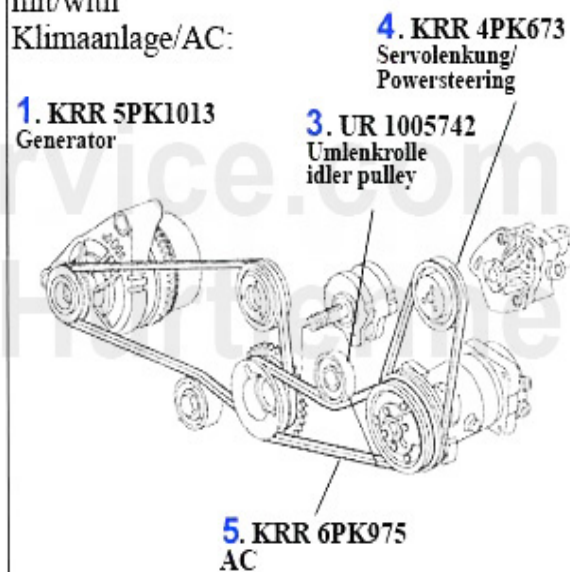
1	UR1005742 OE 60570850	175.00 EUR
2	KRR5PK1013 OE 60596949 RIBBED DRIVE BELT	19.90 EUR
3	KRR6PK975OE 60625590 RIBBED TIME BELT	26.50 EUR

## Keilriemen/V-Belt gtv/spider (916) 3.0 V6 12V

ohne/without  
Klimaanlage/AC:

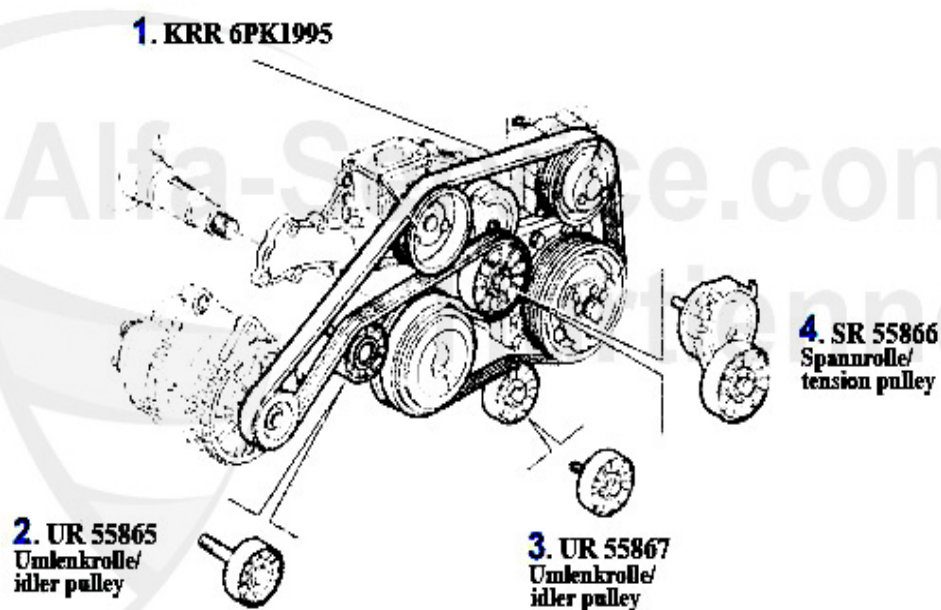


mit/with  
Klimaanlage/AC:



1	KRR5PK101 3	OE 60596949 RIBBED DRIVE BELT	19.90 EUR
2	KRR5PK865	Keilrippenriemen 5PK865 spider (916 ) 3.0 V6 Servopumpe,145/6 1.4/1.6ie Bj. >96 Wasserpumpe/Generator	16.07 EUR
3	UR1005742	OE 60570850	175.00 EUR
5	KRR6PK975	OE 60625590 RIBBED TIME BELT	26.50 EUR

## Keilriemen/V-Belt gtv/spider (916) 3.0/3.2 V6 24V



1	KRR6PK199 5	V-BELT 6PK1995, OE.60626658, 147/156/ 166/GTV SPIDER (916) NUOVO GT ALL V6 24 V, GTA GENERATOR/SERVOPUMP/AIR CON COMPRESSOR	29.00 EUR
2	UR55865	IDLER PULLEY FOR DRIVE BELT 156,166,GTV/ SPIDER (916) V6	42.70 EUR
3	UR55867	IDLER PULLEY FOR DRIVE BELT 156,166, GTV/SPIDER (916) V6	48.00 EUR
4	SR55866	TENSIONER PULLEY FOR DRIVE BELT 156, 166 V6 24V/GTA	149.00 EUR





1 KB24126 OE. 71713064 PISTON 1.8 TS 16V AR32201

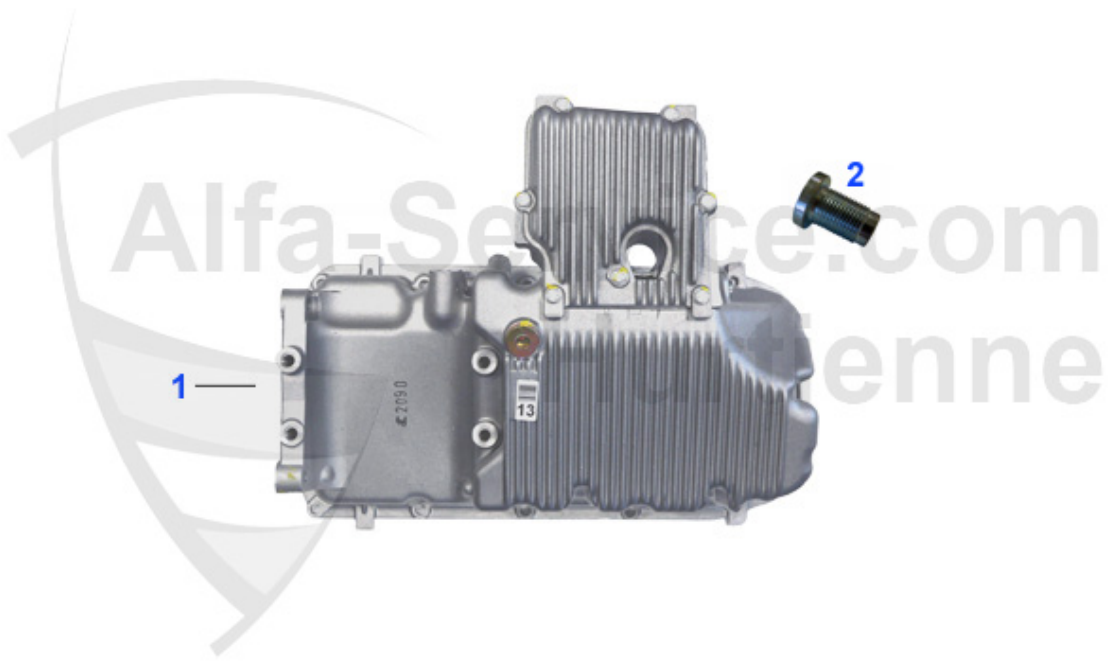
159.01 EUR



1 KB4044 OE. 71712811 PISTON AND LINER 75, 164, GTV/SPIDER (916) 3.0 V6 12V

\*\*\*

Brera/Spider (939) > ENGINE > ENGINE BLOCK > PIL PAN



1 OW90209 OE. 55190209 PIL PAN 145/6,147,155,156, gtv/spider (916),Nuovo GT

\*\*\*

Kraftstoffpumpe/Fuel Pump gtv/spider (916) 1.8/2.0 TS



1	KP6416	OE. 7782620 FUEL PUMP 145/6, 155, gtv/spider (916) Boxer/TS 16V/ V6 Turbo > 1998	95.00 EUR
2	KP6563	OE. 60655432 FUEL PUMP gtv/spider (916) 1.8/2.0 TS 1998>/V6 24V CF2/3	285.01 EUR

Kraftstoffpumpe/Fuel Pump gtv/spider (916) 2.0 JTS

---



1. KP 4361

---

1 KP4361 OE. 60684361 FUEL PUMP gtv/spider (916) 2.0 JTS

236.98 EUR

Kraftstoffpumpe/Fuel Pump gtv/spider (916) 2.0 V6 Turbo

1. KP 6416  
>1998



2. KP 6504  
1998>



1	KP6416	OE. 7782620 FUEL PUMP 145/6, 155, gtv/spider (916) Boxer/TS 16V/ V6 Turbo > 1998	95.00 EUR
2	KP6504	OE. 60655431 FUEL PUMP gtv/spider 2.0 V6 Turbo 1998>	***

Kraftstoffpumpe/Fuel Pump gtv/spider (916) 3.0 V6

1. KP 6416  
>1998



2. KP 6504  
1998>



1	KP6416	OE. 7782620 FUEL PUMP 145/6, 155, gtv/spider (916) Boxer/TS 16V/ V6 Turbo > 1998	95.00 EUR
2	KP6504	OE. 60655431 FUEL PUMP gtv/spider 2.0 V6 Turbo 1998>	***

Kraftstoffpumpe/Fuel Pump gtv/spider (916) 3.0/3.2 V6 24V

1. KP 6416  
>1998



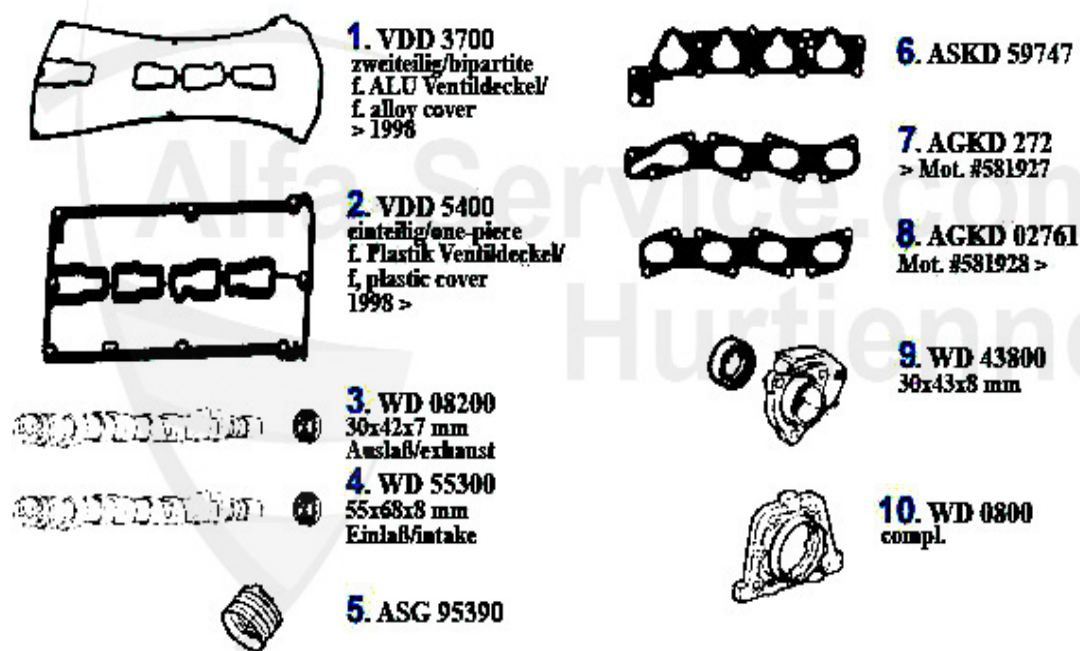
2. KP 6563  
1998>



1	KP6416	OE. 7782620 FUEL PUMP 145/6, 155, gtv/spider (916) Boxer/TS 16V/ V6 Turbo > 1998	95.00 EUR
2	KP6563	OE. 60655432 FUEL PUMP gtv/spider (916) 1.8/2.0 TS 1998>/V6 24V CF2/3	285.01 EUR

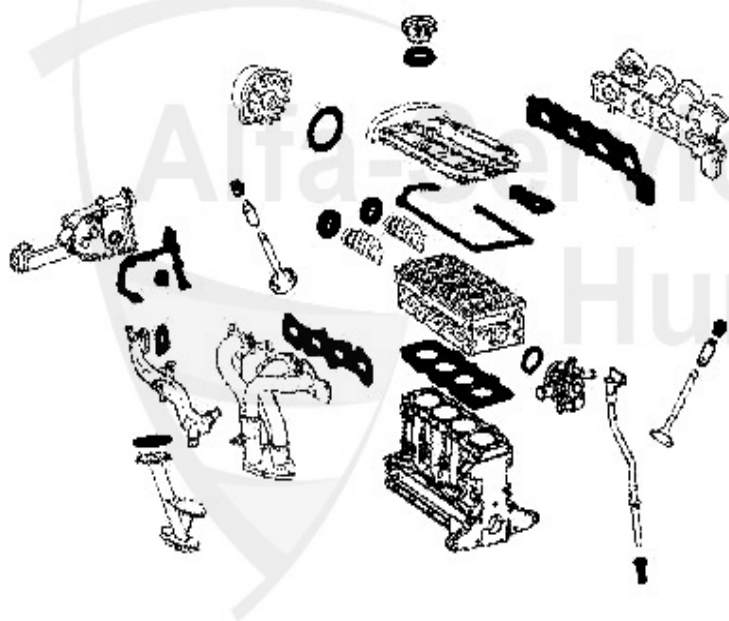


Dichtungen Motor/Gaskets Engine gtv/spider (916) TS 16V



1	VDD3700	VALVE COVER GASKET (2 PIECES) FOR ALLUMINIUM COVER 145/6,166 DIVERSE 4 CYLINDER	33.90 EUR
2	VDD5400	CAM COVER GASKET FOR PLASTIC COVER 145/6 , 156 GTV/ SPIDER 916 04.98>	33.50 EUR
3	WD08200	CAMSHAFT 145/6,155,156,GTV/SPIDER (916), 166 VARIOUS 96-01	15.51 EUR
4	WD55300	CAMSHAFT OIL SEAL 145/6,155,156 1.6,1.7, 1.8,2.0 16V TS	17.90 EUR
5	ASG95390	Ansauggummi 145/6,147,155,156,166, gtv/spider (916),Nuovo GT TS 16V	8.72 EUR
6	ASKD59747	INTAKE MANIFOLD GASKET 145/6,147,155, 156,166,GTV/SPIDER (916),NUOVO GT # 0165088> TS 16V	25.13 EUR
7	AGKD272	Abgaskrümmer-Dichtung 145/6 2.0 16V TS bj. 95-01,155 2.0 16V TS bj. 92 -97,spider/gtv (916) 2.0 TS 16V bj. 95-98	24.49 EUR
8	AGKD02761	EXHAUST MANIFOLD GASKET 145/6,147,155, 156,166,GTV/SPIDER (916) TS/JTS 16 V STARTING FROM YEAR 1998	24.00 EUR
9	WD43800	Siri Kurbelwelle vorne (Riemensch.) 145/6 1.9 TD Bj. 94-99,147 2.0 TS 155 1.9 TD Bj. 93-97,155 2.0 TS 16V 2.0 16V Turbo	9.75 EUR
10	WD0800	OIL SEAL CRANKSHAFT REAR (FLYWHEEL) 147 1.6 TS 16V/1.9 JTD 03>, 156 1.9/2.4 JTD 00>	47.50 EUR

## Kopfdichtsatz/Head Set gtv/spider (916) TS 16V



- 1. ZKDS 61700**  
1.8 TS 16V
- 2. ZKDS 40800**  
2.0 TS 16V/CF2 > Mot. 581927  
m. ALU Ventildeckel/  
w. alloy valve cover
- 3. ZKDS 60800**  
2.0 TS 16V/CF2, Mot. 581928->  
m. Plastik Ventildeckel/  
w. plastic valve cover
- 4. ZKDS 5740**  
2.0 TS 16V/CF3  
m. Plastik Ventildeckel/  
w. plastic valve cover

<b>1</b>	ZKDS61700 OE. 71713631 HEADSET	<b>132.34 EUR</b>
<b>2</b>	ZKDS40800 Kopfdichtsatz 145/6,155,gtv/spider (916) 2.0 TS 110 KW Bj. 95-01 Alu-Ventildeckel	<b>164.99 EUR</b>
<b>3</b>	ZKDS60800 HEAD GASKET SET 145/6,156,GTV/SPIDER (916) 2.0 16V TS 97-01 PLASTIC VALVE COVER	<b>111.82 EUR</b>
<b>4</b>	ZKDS5740 OE. 71717685 HEAD SET 147,156,Nuovo GT 1.8/2.0 TS CF3	<b>165.01 EUR</b>

## Motordichtsatz/Full Set gtv/spider (916) 2.0 TS 16V



**1. MDS 74900**  
1.8 TS 16V

**2. MDS 54200**  
2.0 TS 16V/CF2, >Mot. 581927  
m. ALU Ventildeckel/  
w. alloy valva cover

**3. MDS 54300**  
2.0 TS 16V/CF2, Mot. 581928>  
m. Plastik Ventildeckel/  
w. plastic Ventildeckel

**4. MDS 3100**  
2.0 TS 16V/CF3  
m. Plastik Ventildeckel/  
w. plastic Ventildeckel

<b>1</b>	<b>MDS74900</b> Motordichtsatz 145/6,156,gtv/spider (916) 1.6 - 1.8 16V TS Bj. 97> Kunststoff-Ventildeckel	<b>155.00 EUR</b>
<b>2</b>	<b>MDS54200</b> ENGINE GASKET SET 145/6,55,156,166 1.6- 1.8 TS 16V >98 ALUMINIUM VALVE COVER	<b>155.00 EUR</b>
<b>3</b>	<b>MDS54300</b> Motordichtsatz 145/6,155,gtv/spider (916) 2.0 TS Bj. 95-01 110KW Alu-Ventildeckel	<b>175.00 EUR</b>
<b>4</b>	<b>MDS3100</b> ENGINE GASKET SET 166 2.0 TS CF3 110 KW > #2557364	<b>229.00 EUR</b>

Kopfschraubensatz/Head Srew Set gtv/spider (916) TS 16V



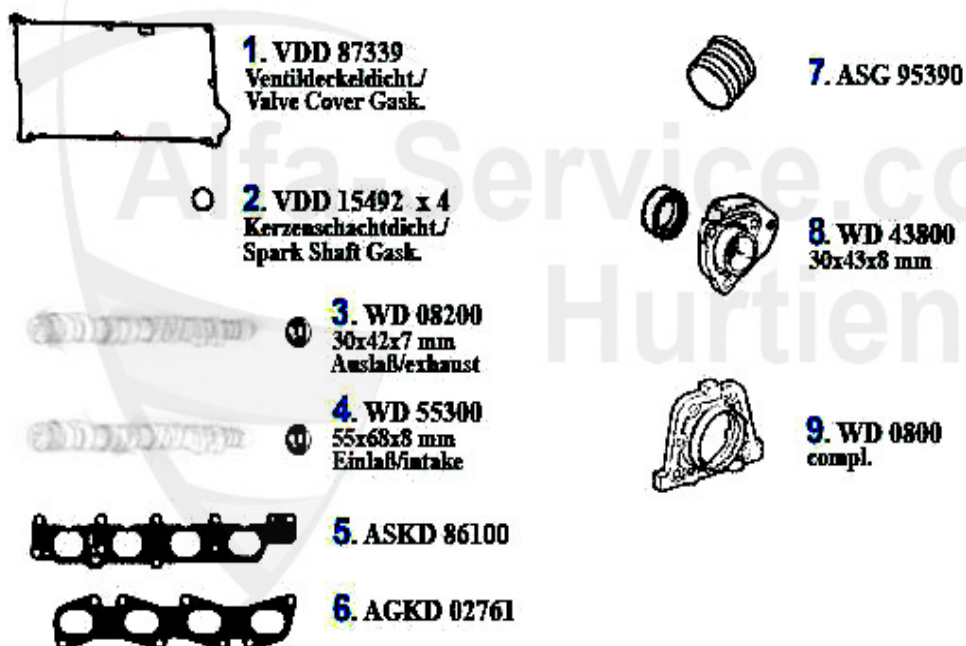
1 ZKSS15208

0

HEAD SCREW SET 145/6,147,155,156,166, GTV/SPIDER(916),NOUVO GT  
TS 16V

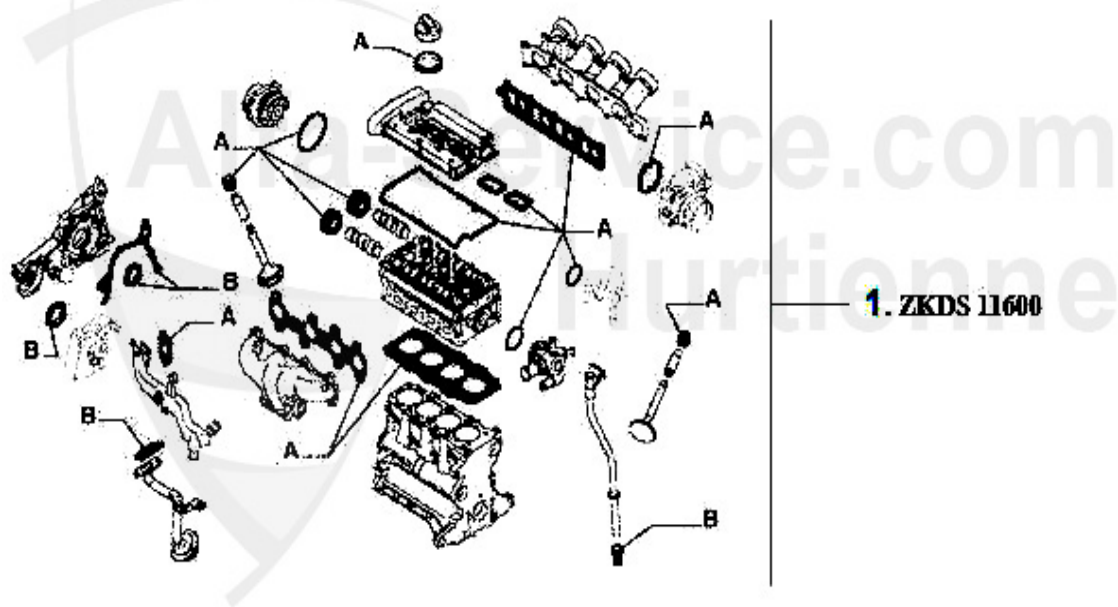
69.00 EUR

## Dichtungen Motor/Gaskets Engine gtv/spider (916) JTS



1	VDD87339 VALVE COVER SEAL 2.0 JTS 156,GTV/SPIDER (916),NUOVO GT INCL. 4 GASKET RINGS	35.00 EUR
2	VDD15492 Kerzenschachtdichtung TS 16V	3.69 EUR
3	WD08200 CAMSHAFT 145/6,155,156,GTV/SPIDER (916), 166 VARIOUS 96-01	15.51 EUR
4	WD55300 CAMSHAFT OIL SEAL 145/6,155,156 1.6,1.7, 1.8,2.0 16V TS	17.90 EUR
5	ASKD86100Ansaugkrümmerdichtung 156,gtv / spider (916), Nuovo GT 2.0 JTS	57.49 EUR
6	AGKD02761EXHAUST MANIFOLD GASKET 145/6,147,155, 156,166,GTV/SPIDER (916) TS/JTS 16 V STARTING FROM YEAR 1998	24.00 EUR
7	ASG95390 Ansauggummi 145/6,147,155,156,166, gtv/spider (916),Nuovo GT TS 16V	8.72 EUR
8	WD43800 Siri Kurbelwelle vorne (Riemensch.) 145/6 1.9 TD Bj. 94-99,147 2.0 TS 155 1.9 TD Bj. 93-97,155 2.0 TS 16V 2.0 16V Turbo	9.75 EUR
9	WD0800 OIL SEAL CRANKSHAFT REAR (FLYWHEEL) 147 1.6 TS 16V/1.9 JTD 03>, 156 1.9/2.4 JTD 00>	47.50 EUR

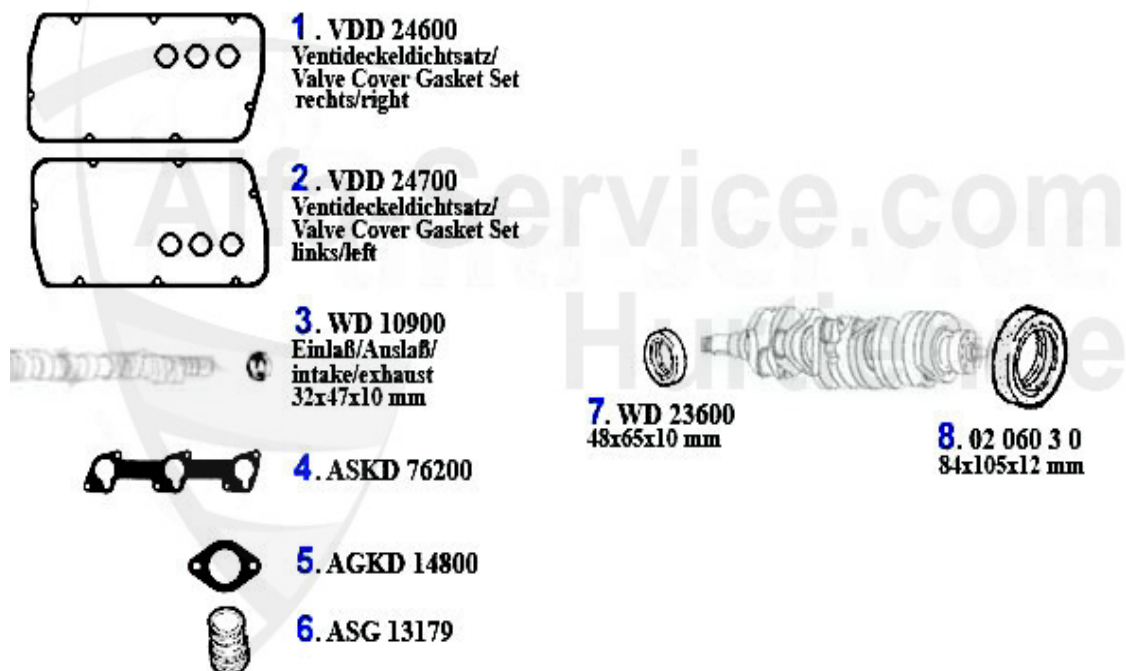
## Kopfdichsatz/Head Set gtv/spider (916) JTS



1 ZKDS11600 HEAD GASKET SET 156,GTV/SPIDER (916) NUOVO GT 2.0 JTS

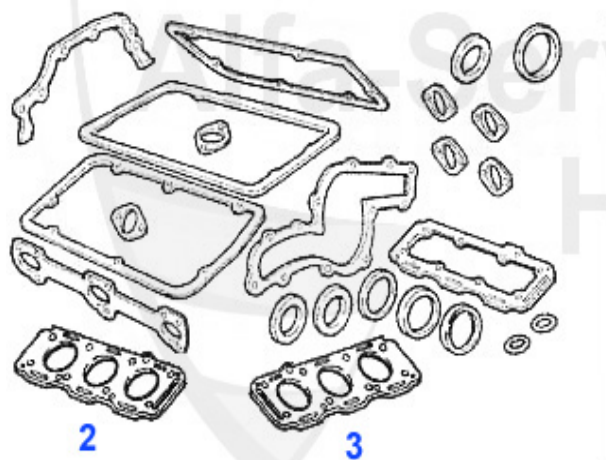
169.00 EUR

Dichtungen Motor/Gaskets Engine gtv/spider (916) 2.0 V6 Turbo



1	VDD24600	CAM COVER GASKET RIGHT 6,75,90	38.50 EUR
2	VDD24700	CAM COVER GASKET LEFT 6,75,90	38.50 EUR
3	WD10900	OIL SEAL CAMSHAFT 6/75/90/164/166/GTV/6, GTV/SPIDER (916,RZ,SZ 6 CYL. 80-00 (WITH TWIST)	16.95 EUR
4	ASKD76200	Ansaugkrümmerdichtung 155,164/Super ,166,gtv/spider V6 12V	9.13 EUR
5	AGKD14800	Abgaskrümmerdichtung 6,75,90,155, 164/Super,RZ/SZ 6-Zylinder	6.50 EUR
6	ASG13179	INTAKE RUBBER 6 CYLINDER 12V ENGINE OE 60513179	24.50 EUR
7	WD23600	OE. 60567607 Sealing Gasket	18.85 EUR
8	02 060 3 0	OIL SEAL CORTECO (84/105/12) CRANKSHAFT REAR for Spider 1990-93, 75, 90, 155, 164, GTV 6, 166, 156	33.50 EUR

Kopfdichtsatz/Head Set gtv/spider (916) 2.0 V6 Turbo

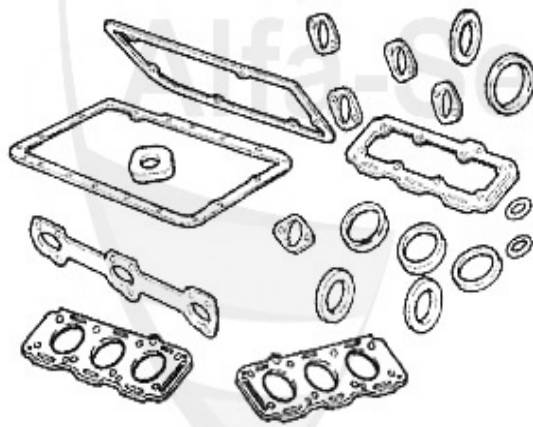


1. ZKDS 03000

1	ZKDS03000 HEAD GASKET SET 164/SUPER,GTV/SPIDER (916) 2.0 V6 TURBO	229.00 EUR
2	ZKD8811 LEFT HEAD GASKET 2.0 V6 TURBO GTV AND SPIDER SPIDER 916, ALFA 164	101.75 EUR
3	ZKD8812 RIGHT HEAD GASKET 2.0 V6 TURBO GTV AND SPIDER 916, 164	101.75 EUR



Motordichtsatz/Full Set gtv/spider (916) 2.0 V6 Turbo



1. MDS 1163

1 MDS1163 OE. 5895399 FULL SET 2.0 V6 TURBO

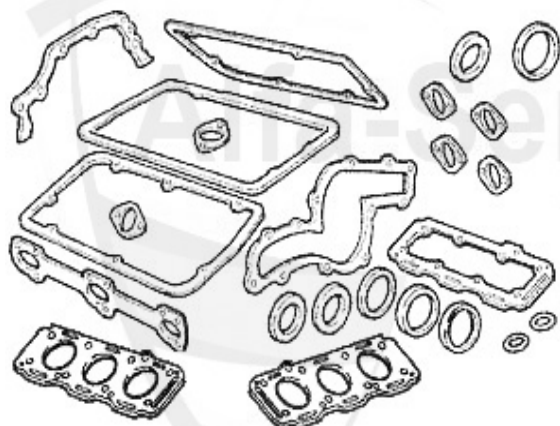
275.00 EUR

Dichtungen Motor/Gaskets Engine gtv/spider (916) V6 12V



1	VDD24600	CAM COVER GASKET RIGHT 6,75,90	38.50 EUR
2	VDD24800	OE 60512948 VALVE COVER GASKET	47.01 EUR
3	VDD24700	CAM COVER GASKET LEFT 6,75,90	38.50 EUR
4	VDD24900	OE 60512949 VALVE COVER GASKET	42.90 EUR
5	WD10900	OIL SEAL CAMSHAFT 6/75/90/164/166/GTV/6, GTV/SPIDER (916,RZ,SZ 6 CYL. 80-00 (WITH TWIST)	16.95 EUR
6	ASKD76200	Ansaugkrümmerdichtung 155,164/Super ,166,gtv/spider V6 12V	9.13 EUR
7	ASG13179	INTAKE RUBBER 6 CYLINDER 12V ENGINE OE 60513179	24.50 EUR
8	AGKD06636	OE. 60506636 GASKET	5.00 EUR
9	WD23600	OE. 60567607 Sealing Gasket	18.85 EUR
10	02 060 3 0	OIL SEAL CORTECO (84/105/12) CRANKSHAFT REAR for Spider 1990-93, 75, 90, 155, 164, GTV 6, 166, 156	33.50 EUR

Kopfdichtsatz/Head Set gtv/spider (916) 3.0 V6 12V

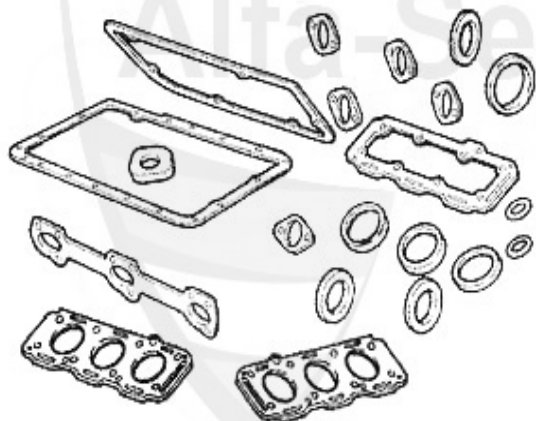


1. ZKDS 3100

1 ZKDS3100 HEAD GASKET SET 164 3.0 87-89 SPIDER (916) 3.0 95> 75 3.0 87-92 RZ/  
SZ

290.00 EUR

Motordichtsatz/Full Set gtv/spider (916) 3.0 V6 12V

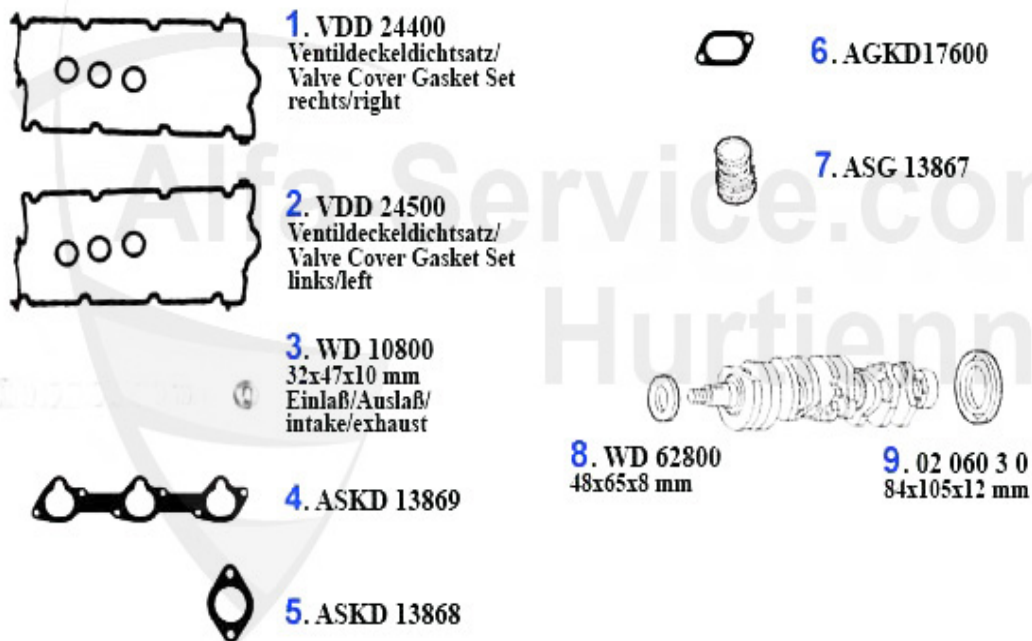


1. MDS 116400

1 MDS116400OE. 60777985 FULL SET 164 V6 3.0 87> GTV/SPIDER(916) 3.0 V6 95>

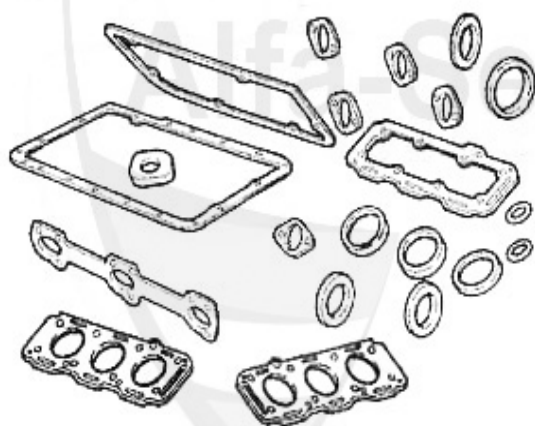
395.00 EUR

Dichtungen Motor/Gaskets Engine gtv/spider (916) 3.0/3.2 V6 24V



1	VDD24400 RIGHT CAM COVER GASKET 147,156,166,166, GTV/SPIDER (916),NUOVO GT V6 24V	39.00 EUR
2	VDD24500 LEFT CAM COVER GASKET 147,156,166, GTV/SPIDER (916),NUOVO GT V6 24V	39.00 EUR
4	ASKD13869Ansaugkrümmerdichtung 147,156,164/S uper,166,gtv/spider (916),Nuovo GT 6-Zylinder 24V	6.70 EUR
5	ASKD13868OE. 60513868 Sealing Gasket	4.90 EUR
6	AGKD17600Abgaskrümmerdichtung 156,164/Super, 166,gtv/spider (916),Nuovo GT V6 24V	9.50 EUR
7	ASG13867 INTAKE SLEEVE 164 #60513867	21.31 EUR
8	WD62800 OIL SEAL CRANKSHAFT FRONT (PULLEY) 156, 166 V6	16.51 EUR
9	02 060 3 0 OIL SEAL CORTECO (84/105/12) CRANKSHAFT REAR for Spider 1990-93, 75, 90, 155, 164, GTV 6, 166, 156	33.50 EUR

Kopfdichtsatz/Head set gtv/spider (916) 3.0/3.2 V6 24V



1. ZKDS 61000

1 ZKDS61000 HEAD GASKET SET 147,156,166,GTV/SPIDER (916),NUOVO GT V6  
24V/GTA

279.00 EUR

Motordichtsatz/Full set gtv/spider (916) 3.0/3.2 V6 24V

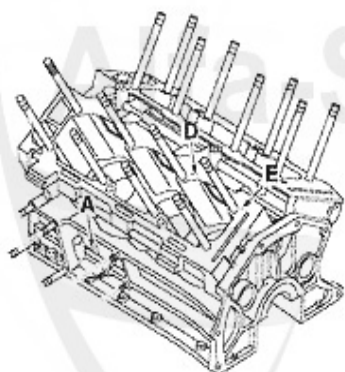


1. MDS 74200

1 MDS74200 OE.71713724 FULL SET 147,156,166, GTV/SPIDER(916),NOUVO GT V6  
24V/GTA ENGINE GASKET SET 147,156,166,GTV/SPIDER (916),NUOVO  
GT V6 24V/GTA

399.00 EUR

Kopfschraubensatz/Head Screw Set spider/gtv (916) 3.0/3.2 V6 24V



1. ZKSS 8200

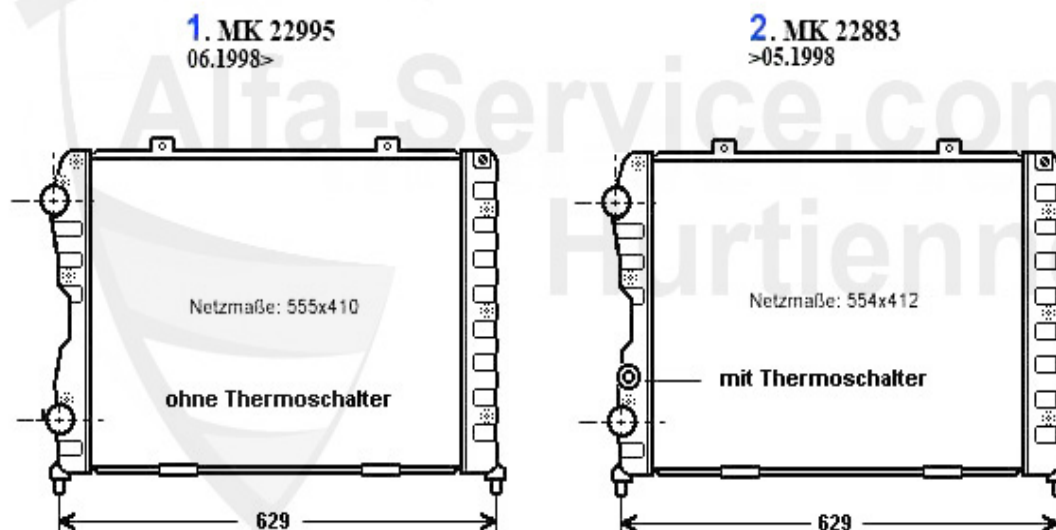


1 ZKSS8200 STUD-SET CYLINDER HEAD # 605 13 756 8 Pcs.

115.00 EUR



## Kühler/Radiator gtv/spider (916) 1.8/2.0 TS



1	MK22995	OE. 60628578 RADIATOR	359.00 EUR
2	MK22883	RADIATOR GTV/SPIDER (916) 2.0 V6 Turbo, 3.0 V6 all 1.8/2.0 16V TS UNTIL # 6023907	***

## Thermostat gtv/spider (916) 1.8/2.0 TS

---

1. TH 649083  
>05.1998



2. TH 650688  
06.1998>



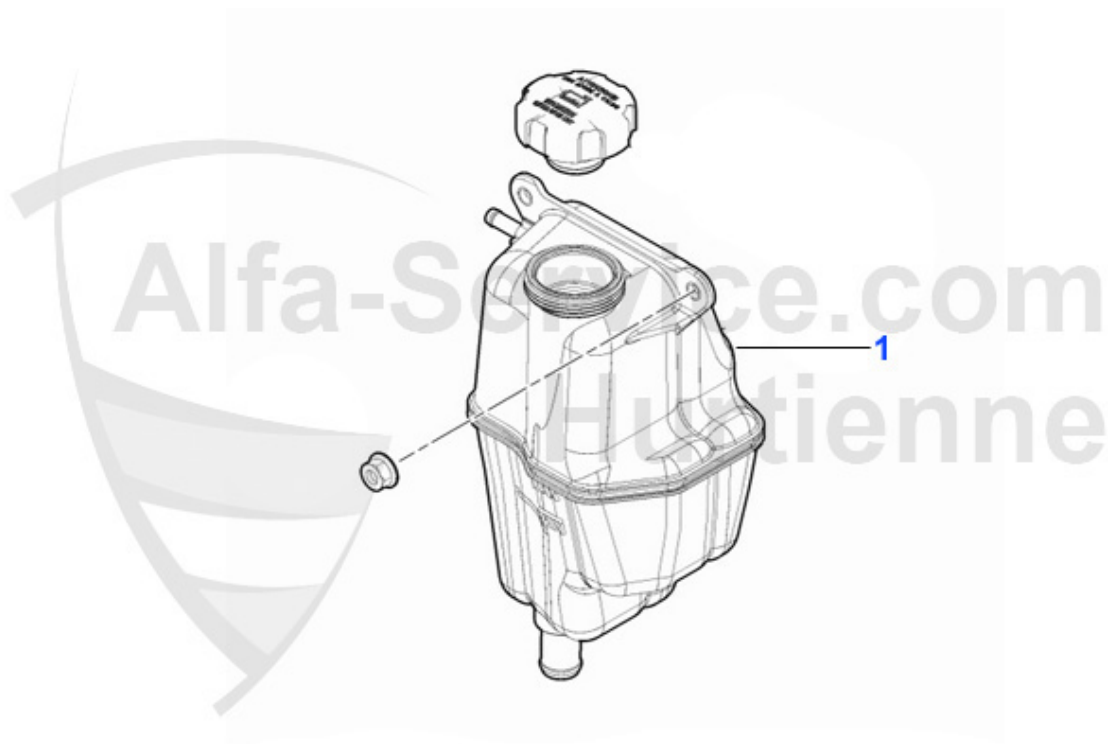
1	TH649083	OE. 60602148 THERMOSTAT 145/6,155,916 TS 16V	89.00 EUR
2	TH650688	OE.60653946,THERMOSTAT WITH HOUSING 1.6/1.8/2.0 IE TS YEAR 98>,THERMOSTAT 145/6,147,156,GTV(916),TS 16V	69.00 EUR

Wasserpumpe/Waterpump gtv/spider (916) 1.8/2.0 TS



1 WP00310 OE. 60586222 WATER PUMP TS 16V

69.00 EUR

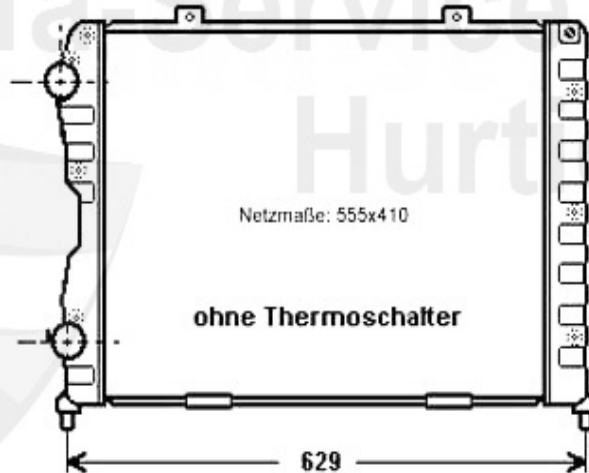


1 KWB16508 OVERFLOW CONTAINER 159 05-10/BRERA 05-10/SPIDER 06-10

29.50 EUR

# Kühler/Radiator gtv/spider 2.0 JTS

1. MK 22995



1 MK22995 OE. 60628578 RADIATOR

359.00 EUR



1 KWS00406 UPPER WATER HOSE 159 1.9/2.2/BRERA 05</ SPIDER 06< \*\*\*

2 KWS93901 LOWER RADIATOR HOSE 159, BRERA, SPIDER (939) SELESPEED  
AUTOMATIC #50506001

**180.00 EUR**

## Thermostat gtv/spider (916) 2.0 JTS

---

1. TH 76067



---

1 TH76067 OE. 60676067 THERMOSTAT 156,gtv/spider (916),Nuovo GT 2.0 JTS

56.50 EUR

Wasserpumpe/Waterpump gtv/spider (916) 2.0 JTS

---

1. WP 00310

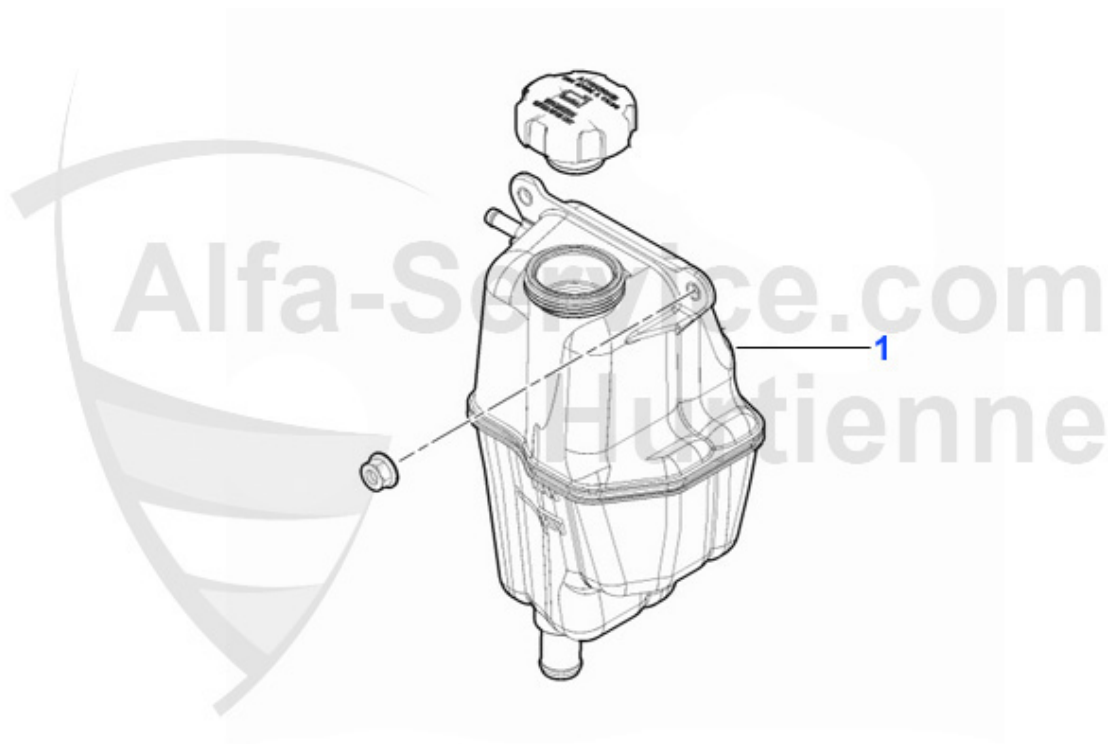


---

1 WP00310 OE. 60586222 WATER PUMP TS 16V

69.00 EUR



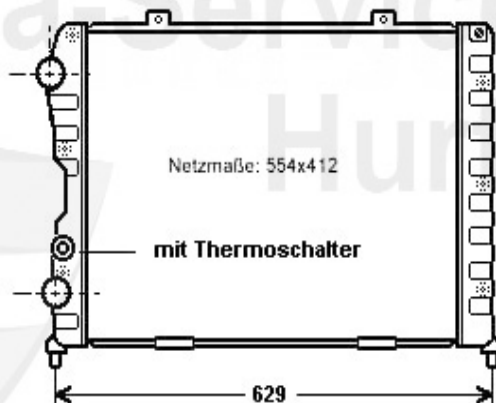


1 KWB16508 OVERFLOW CONTAINER 159 05-10/BRERA 05-10/SPIDER 06-10

29.50 EUR

## Kühler/Radiator gtv/spider 2.0 V6 Turbo

1. MK 22883



1 MK22883 RADIATOR GTV/SPIDER (916) 2.0 V6 Turbo, 3.0 V6 all 1.8/2.0 16V TS  
UNTIL # 6023907

\*\*\*

## Thermostat gtv/spider (916) 2.0 V6 Turbo

---

1. TH 614637



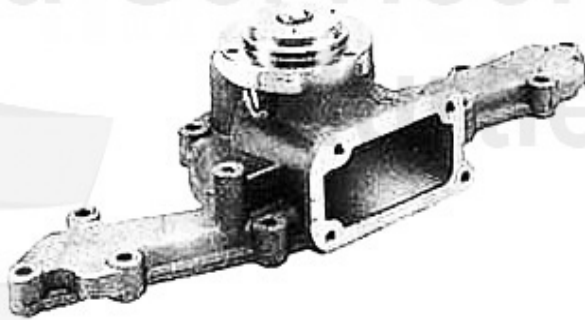
---

1 TH614637 OE. 60614637 THERMOSTAT 916 2.0 V6 Turbo

\*\*\*

Wasserpumpe/Waterpump gtv/spider (916) 2.0 V6 Turbo

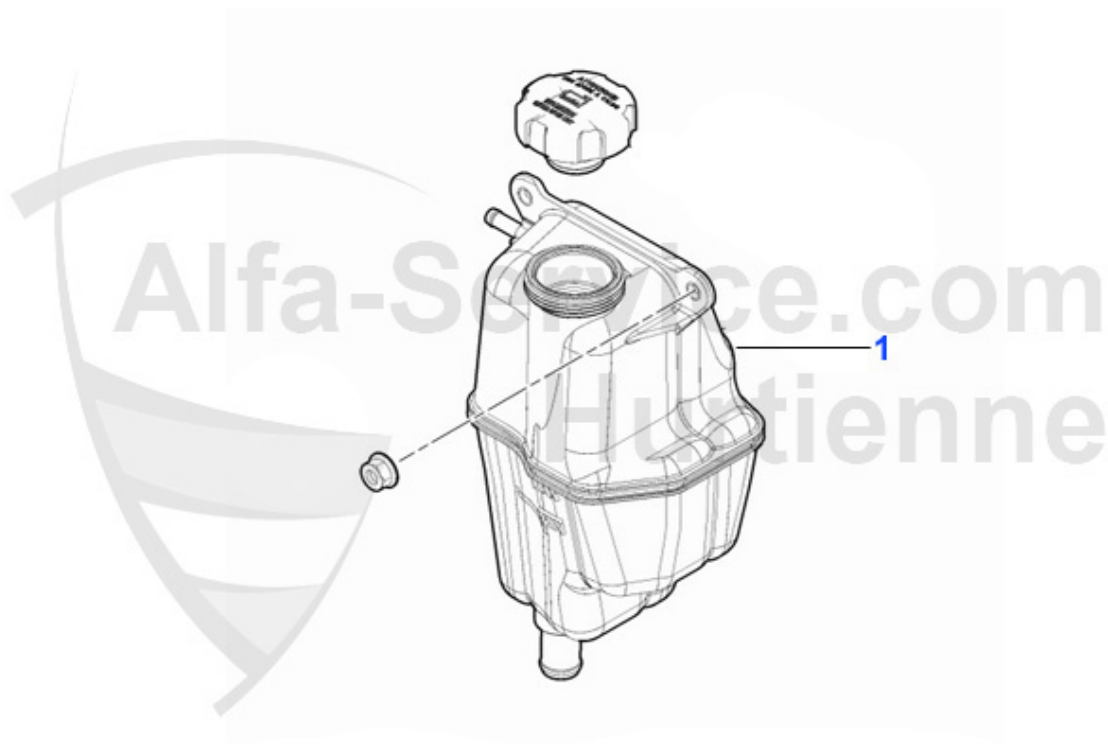
---



---

1 WP01110 OE. 60668488 WATER PUMP 155 2.5 V6,164/ 916 3.0 V6

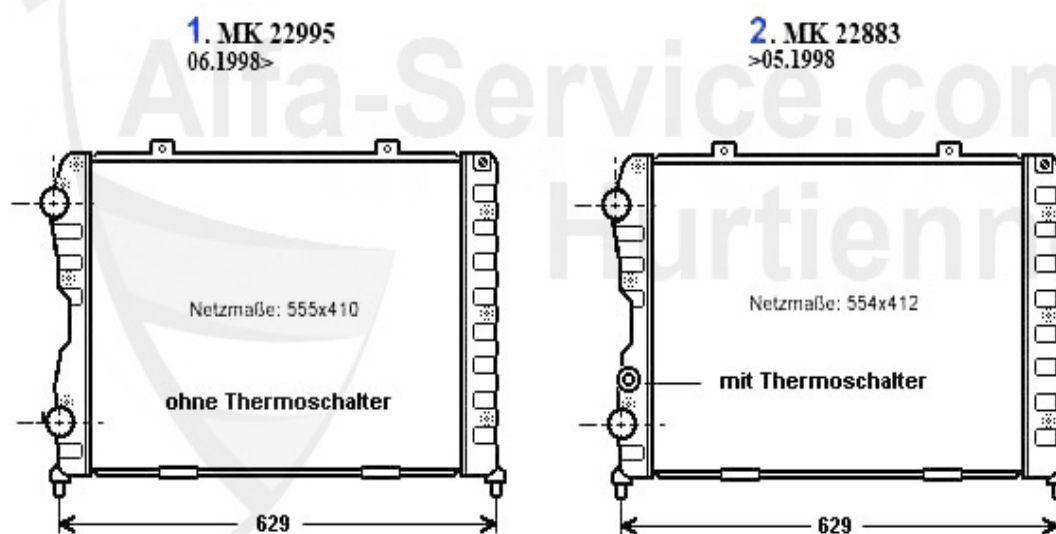
109.50 EUR



1 KWB16508 OVERFLOW CONTAINER 159 05-10/BRERA 05-10/SPIDER 06-10

29.50 EUR

## Motorkühler/Radiator gtv/spider (916) 3.0 V6



1	MK22995	OE. 60628578 RADIATOR	359.00 EUR
2	MK22883	RADIATOR GTV/SPIDER (916) 2.0 V6 Turbo, 3.0 V6 all 1.8/2.0 16V TS UNTIL # 6023907	***

## Thermostat gtv/spider (916) 3.0 V6

---

1. TH 657187



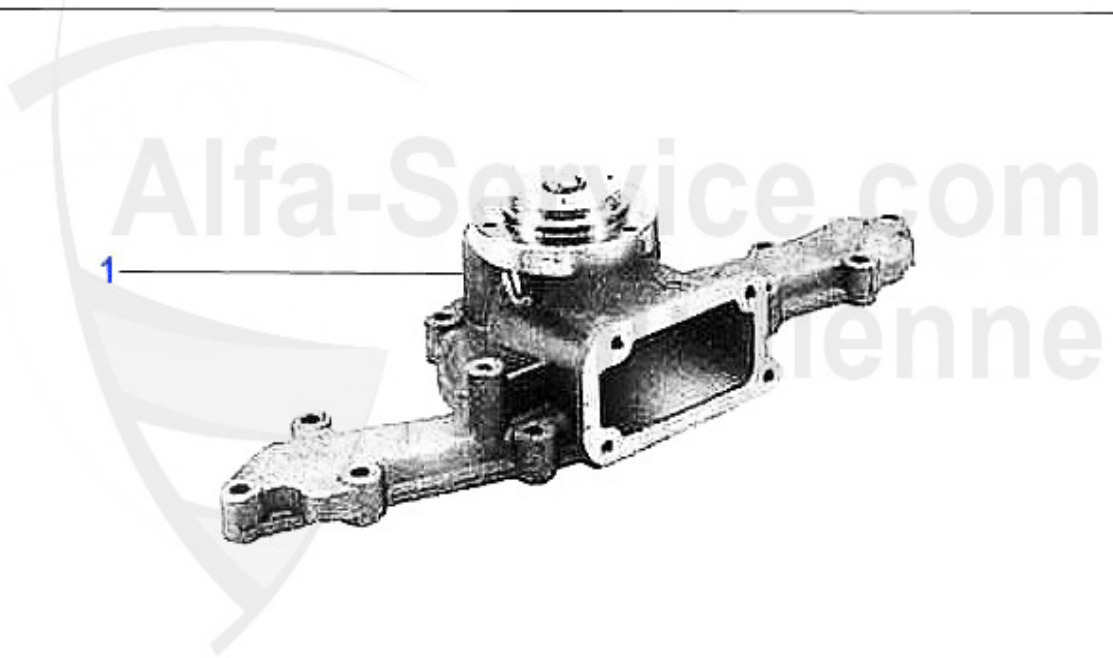
---

1 TH657187 THERMOSTAT 155,156,166,GTV,SPIDER (916) 6 CYL. (WITH HOUSING)

59.00 EUR

Wasserpumpe/Waterpump gtv/spider (916) 3.0 V6

---

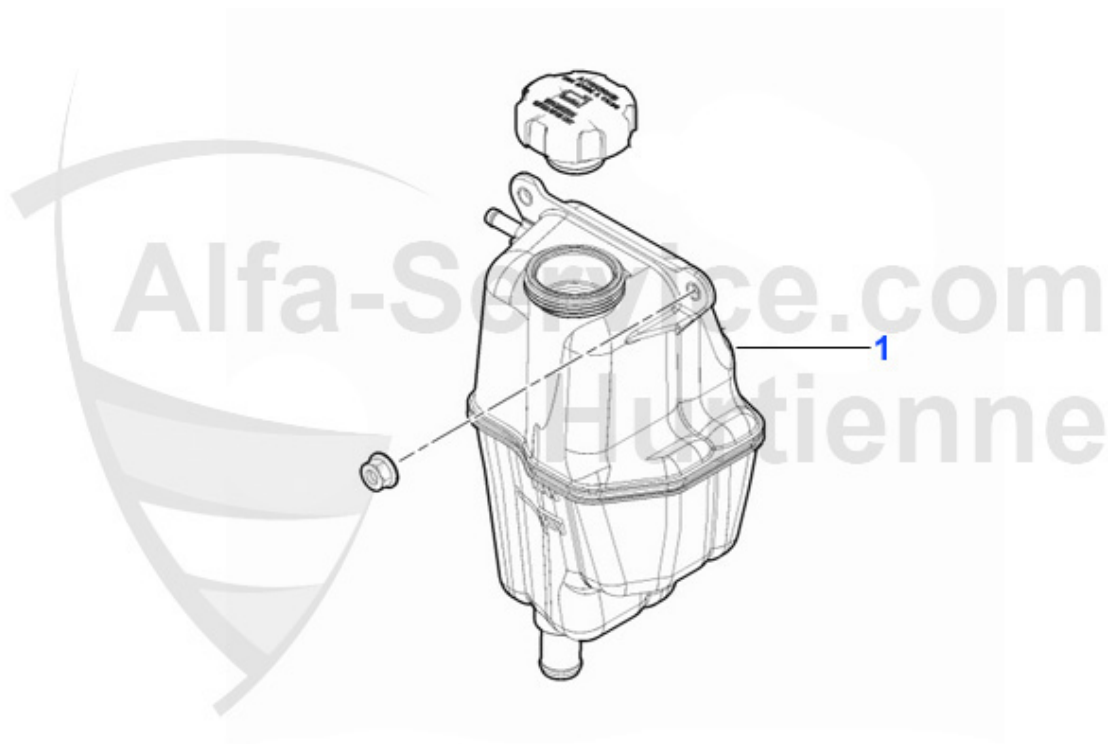


---

1 WP01110 OE. 60668488 WATER PUMP 155 2.5 V6,164/ 916 3.0 V6

109.50 EUR

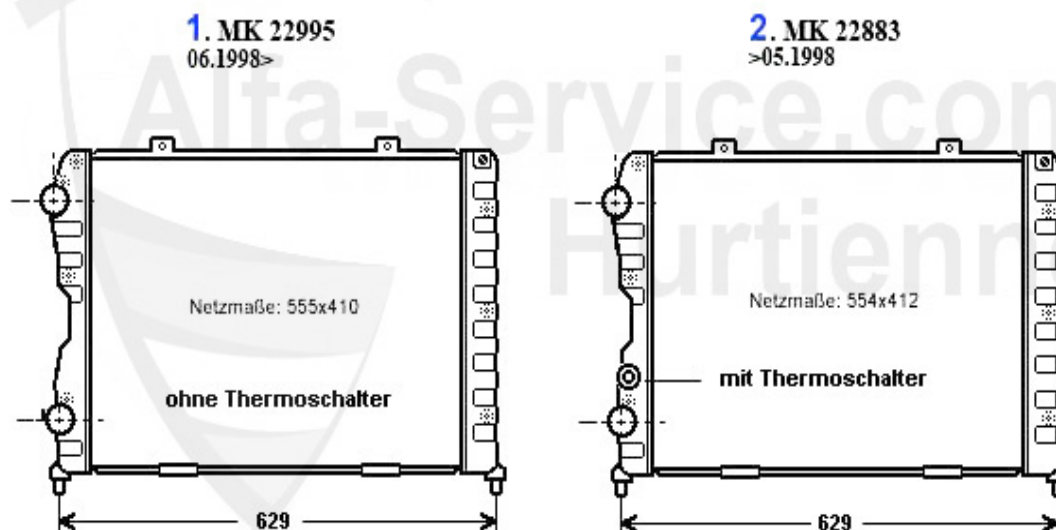




1 KWB16508 OVERFLOW CONTAINER 159 05-10/BRERA 05-10/SPIDER 06-10

29.50 EUR

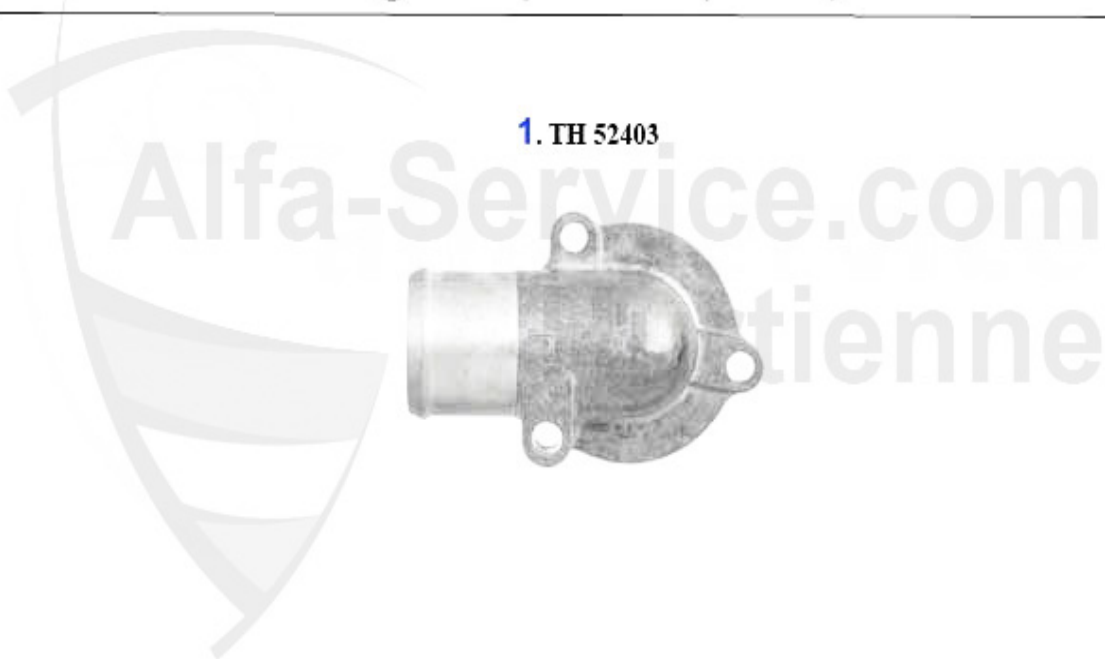
## Motorkühler/Radiator gtv/spider (916) V6 24V



1	MK22995	OE. 60628578 RADIATOR	359.00 EUR
2	MK22883	RADIATOR GTV/SPIDER (916) 2.0 V6 Turbo, 3.0 V6 all 1.8/2.0 16V TS UNTIL # 6023907	***

## Thermostat gtv/spider (916) V6 24V

---



1. TH 52403

---

1 TH52403 OE. 60652403 THERMOSTAT 3.2 V6 24V/GTA

75.90 EUR

Wasserpumpe/Waterpump gtv/spider (916) V6 24V

---

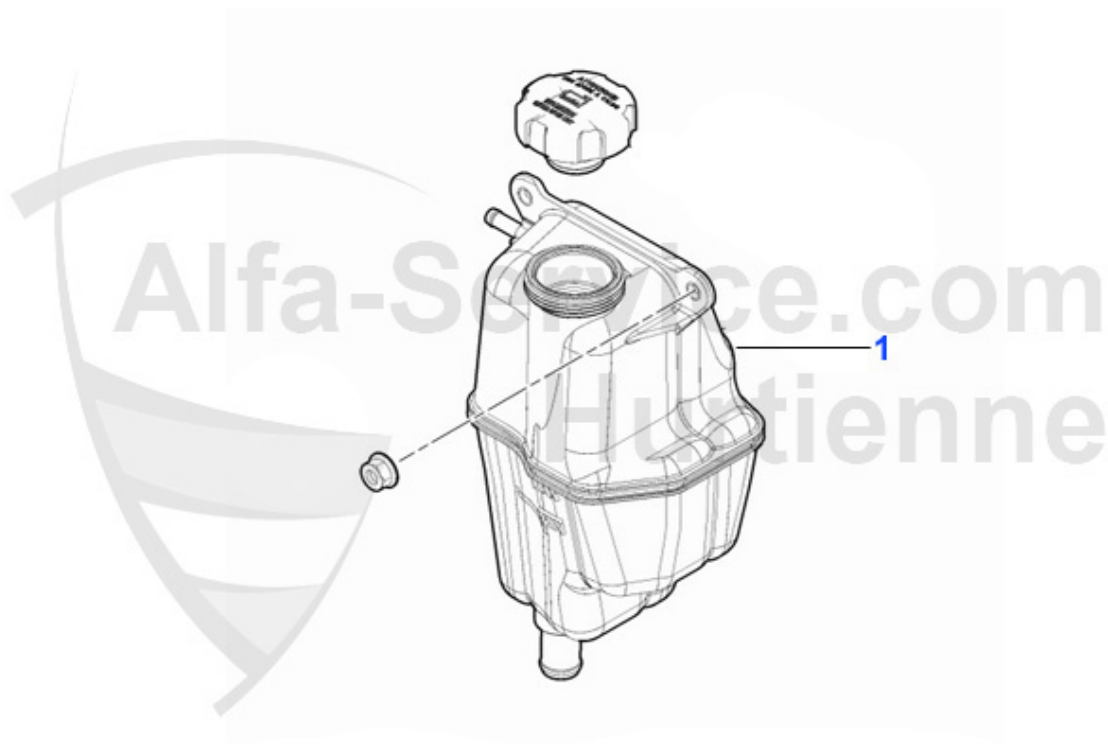
1. WP 81355



---

1 WP81355 OE. 60816018 WATER PUMP V6 24V

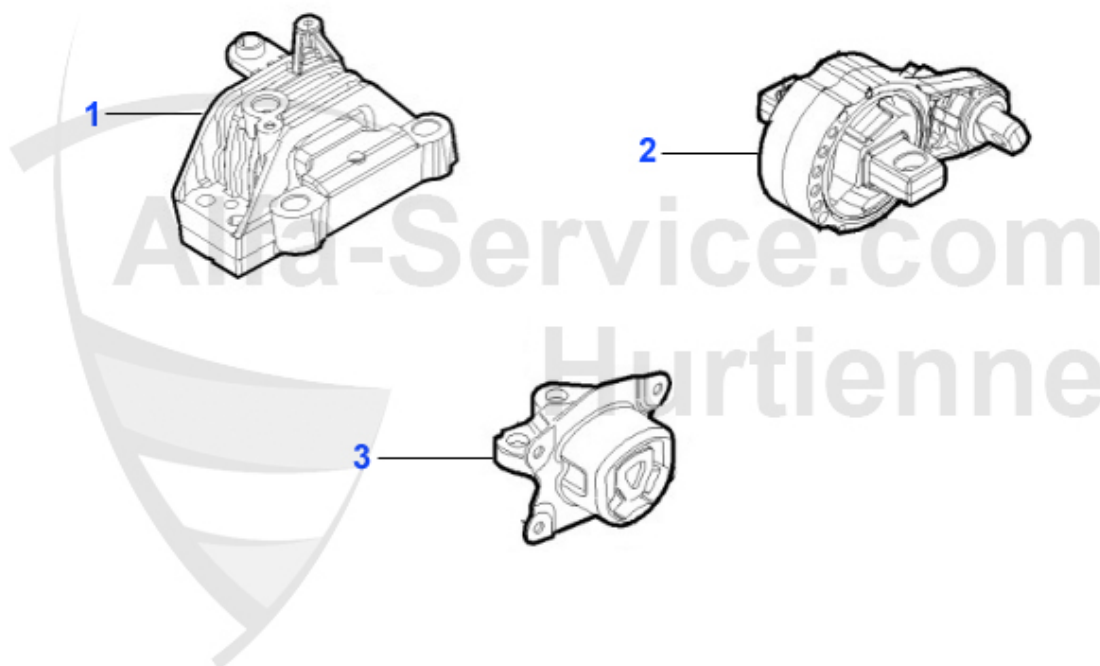
149.00 EUR



1 KWB16508 OVERFLOW CONTAINER 159 05-10/BRERA 05-10/SPIDER 06-10

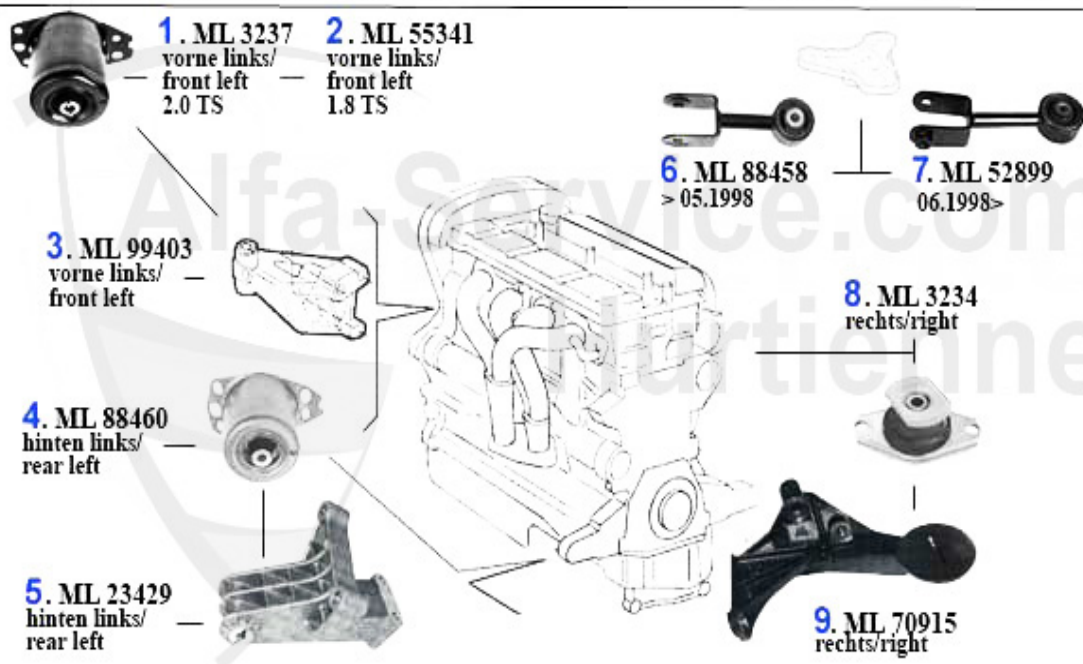
29.50 EUR

Brera/Spider (939) > ENGINE > ENGINE MOUNT > 2.2 JTS 16V



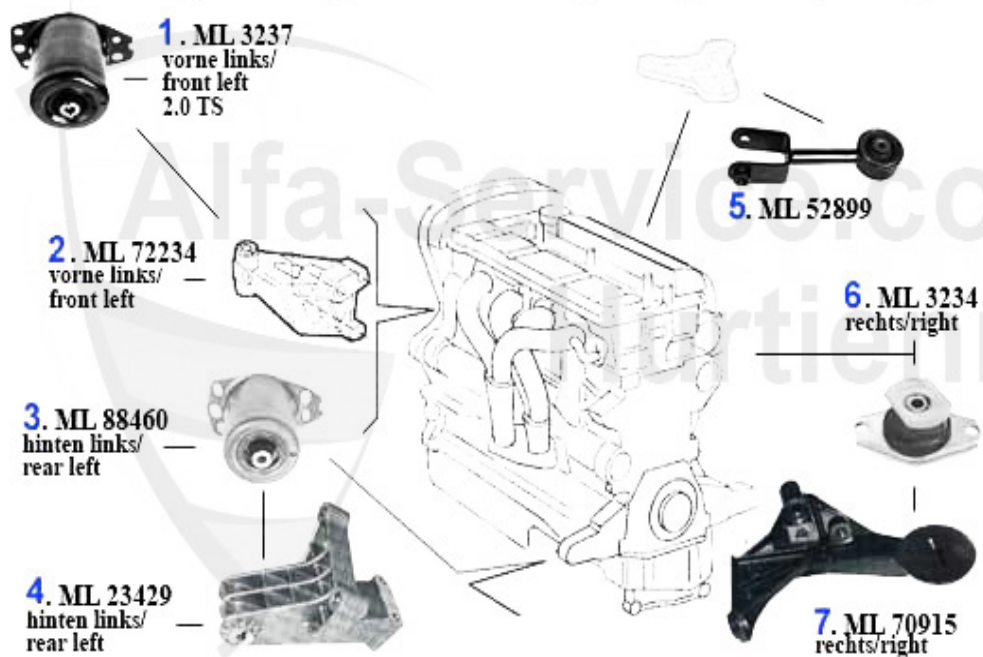
1	ML94071	FRONT UPPER ENGINE MOUNT ALFA 159 05-10, BRERA 05-10, SPIDER 06-10 1.9/2.2 BZ	***
2	ML01607	LOWER ENGINE MOUNT 159, BRERA, SPIDER 2.2 JTS CF4 (05-11)	54.50 EUR
2	ML01608	ENGINE CONNECTING ROD 159, BRERA, SPIDER 2.2 JTS CF4 (05-11)	***
3	ML05985	REAR ENGINE MOUNT ALFA 159, BRERA, SPIDER 1.9 JTS 16V/2.2 JTS 16V/3.2 V6 GEARBOX SIDE	***

Motorlager/Enginemount gtv/spider (916) 1.8/2.0 TS



1	ML3237	FRONT ENGINE MOUNT 145/6,155 all TS MODELS 16V & 6 CYL.,GTV/Spider (916) 4 CYL.	50.78 EUR
2	ML55341	OE. 60655341 ENGINE MOUNT FL 156, gtv/spider (916) 1.8 TS 16V	***
3	ML99403	OE. 60672234/60599403 ENGINE MOUNT	109.00 EUR
4	ML88460	ENGINE MOUNT 145/6,147 (74KW),155,156, GTV/SPIDER (916)	45.01 EUR
5	ML23429	OE. 46423429 SUPPORT	***
6	ML88458	Motorzugstange 145/6,155,gtv/spider (916) 2.0 TS 16V	***
7	ML52899	OE. 60652899 ENGINE MOUNT 145/6 2.0 TS, 147 all,156,gtv/spider (916) 1998>, Nuovo GT TS/JTS (without Selespeed)	***
8	ML3234	OE. 7652240/60808861 ENGINE MOUNT	73.99 EUR
9	ML70915	OE. 7770915 SUPPORT	196.59 EUR

## Motorlager/Enginemount gtv/spider (916) 2.0 JTS



1	ML3237	FRONT ENGINE MOUNT 145/6,155 all TS MODELS 16V & 6 CYL.,GTV/Spider (916) 4 CYL.	50.78 EUR
2	ML72234	OE. 60672234 ENGINEMOUNT FR. 156 2002>, gtv/spider (916) 1998>, Nuovo GT TS 16V	92.50 EUR
3	ML88460	ENGINE MOUNT 145/6,147 (74KW),155,156, GTV/SPIDER (916)	45.01 EUR
4	ML23429	OE. 46423429 SUPPORT	***
5	ML52899	OE. 60652899 ENGINE MOUNT 145/6 2.0 TS, 147 all,156,gtv/spider (916) 1998>, Nuovo GT TS/JTS (without Selespeed)	***
6	ML3234	OE. 7652240/60808861 ENGINE MOUNT	73.99 EUR
7	ML70915	OE. 7770915 SUPPORT	196.59 EUR

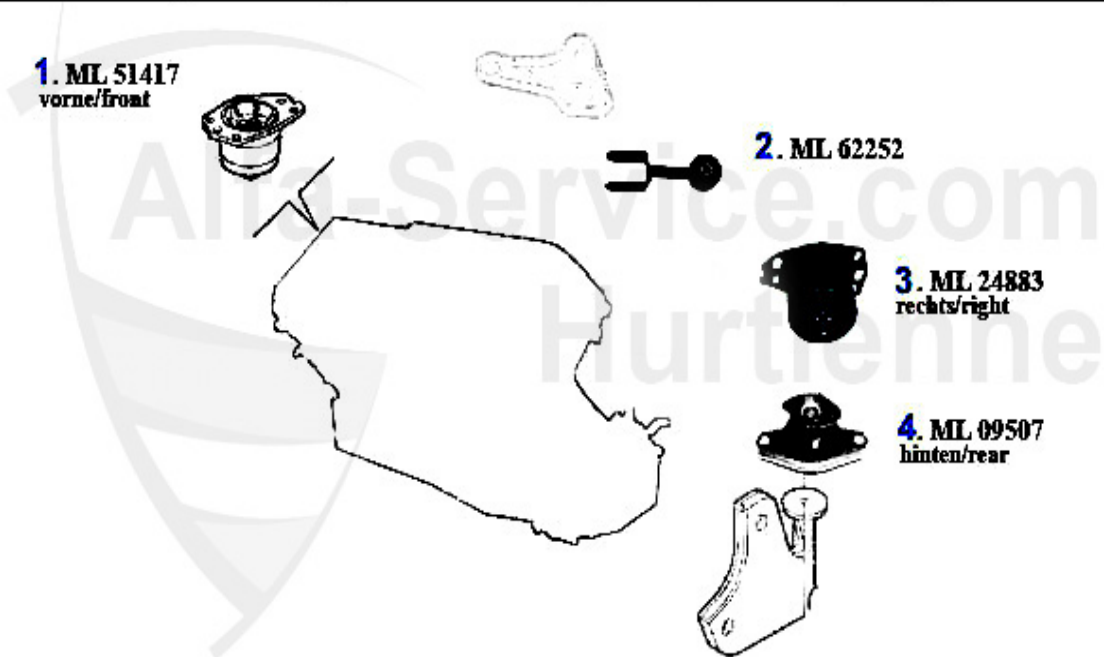


Motorlager/Enginemount gtv/spider (916) 2.0 V6 Turbo



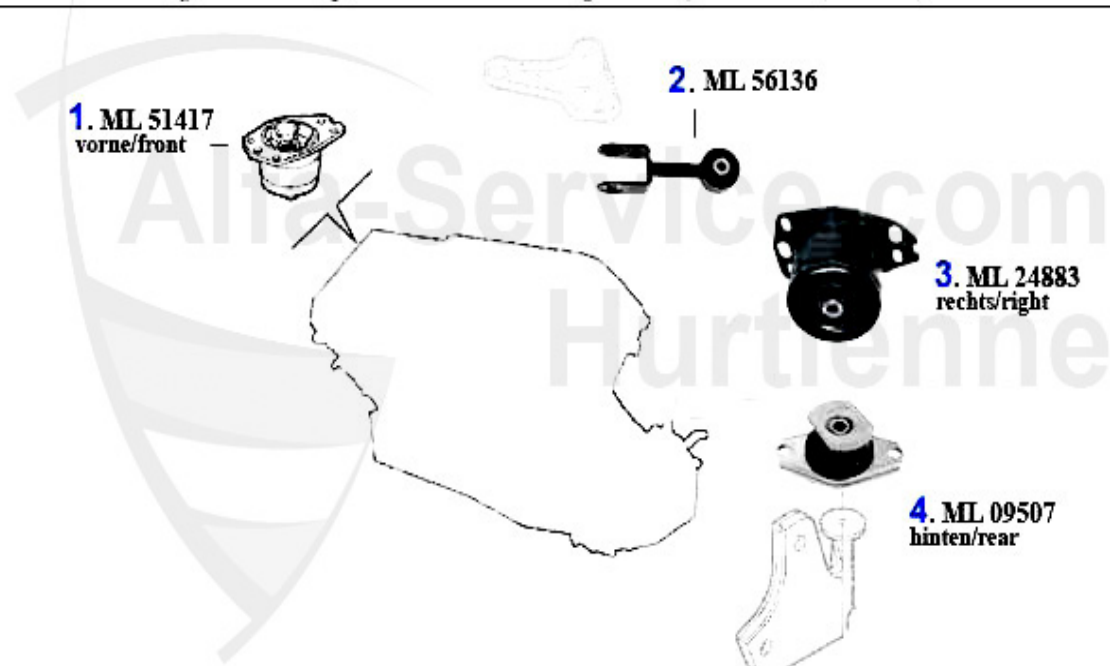
1	ML51417	OE. 60651417 ENGINEMOUNT gtv/spider (916) 2.0 V6 Turbo	***
2	ML62252	OE. 60562252 ENGINE ROD	***
3	ML24883	OE. 60624883 ENGINEMOUNT RR gtv/spider (916) 2.0 V6 Turbo	120.00 EUR
4	ML09507	OE. 60609507 ENGINEMOUNT rear downside gtv/spider (916) 2.0 V6 Turbo	***

## Motorlager/Enginemount gtv/spider (916) 3.0 V6



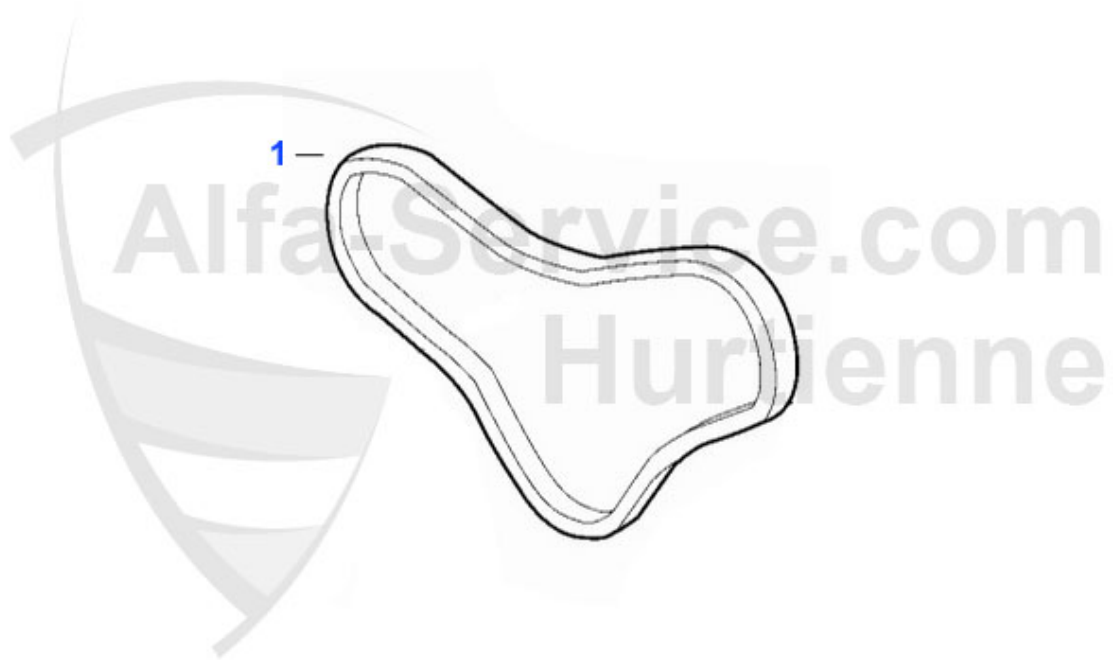
1	ML51417	OE. 60651417 ENGINEMOUNT gtv/spider (916) 2.0 V6 Turbo	***
2	ML62252	OE. 60562252 ENGINE ROD	***
3	ML24883	OE. 60624883 ENGINEMOUNT RR gtv/spider (916) 2.0 V6 Turbo	120.00 EUR
4	ML09507	OE. 60609507 ENGINEMOUNT rear downside gtv/spider (916) 2.0 V6 Turbo	***

## Motorlager/Enginemount gtv/spider (916) V6 24V



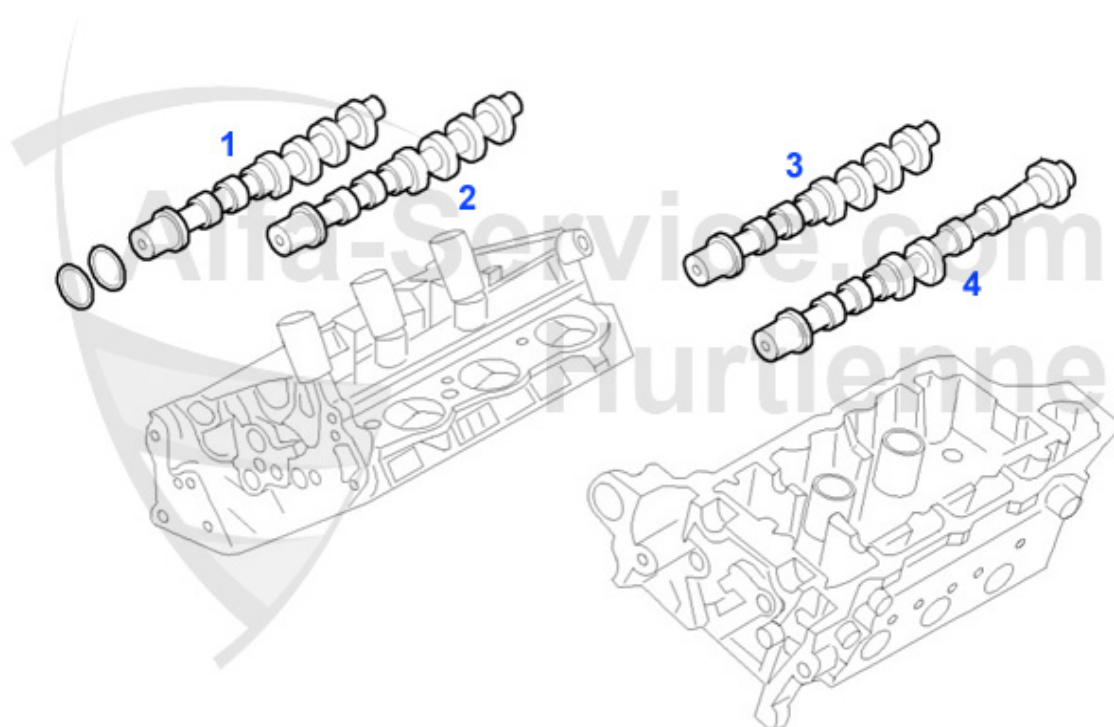
1	ML51417	OE. 60651417 ENGINEMOUNT gtv/spider (916) 2.0 V6 Turbo	***
2	ML56136	OE. 60656136 ENGINEROD gtv/spider (916) V6 24V	***
3	ML24883	OE. 60624883 ENGINEMOUNT RR gtv/spider (916) 2.0 V6 Turbo	120.00 EUR
4	ML09507	OE. 60609507 ENGINEMOUNT rear downside gtv/spider (916) 2.0 V6 Turbo	***

Brera/Spider (939) > ENGINE > VALVE GEAR > 3.2 JTS > TIMING CHAIN



1	STK1163	Steuerkette 3,2 V6 Brera, Spider 939, 159, (05-11) O.E.71741163	130.00 EUR
1	STK1262	Steuerkette 3,2 (HOLDEN) Brera,Spider 939,AR159	***

Brera/Spider (939) > ENGINE > VALVE GEAR > 3.2 JTS > CAMSHAFT

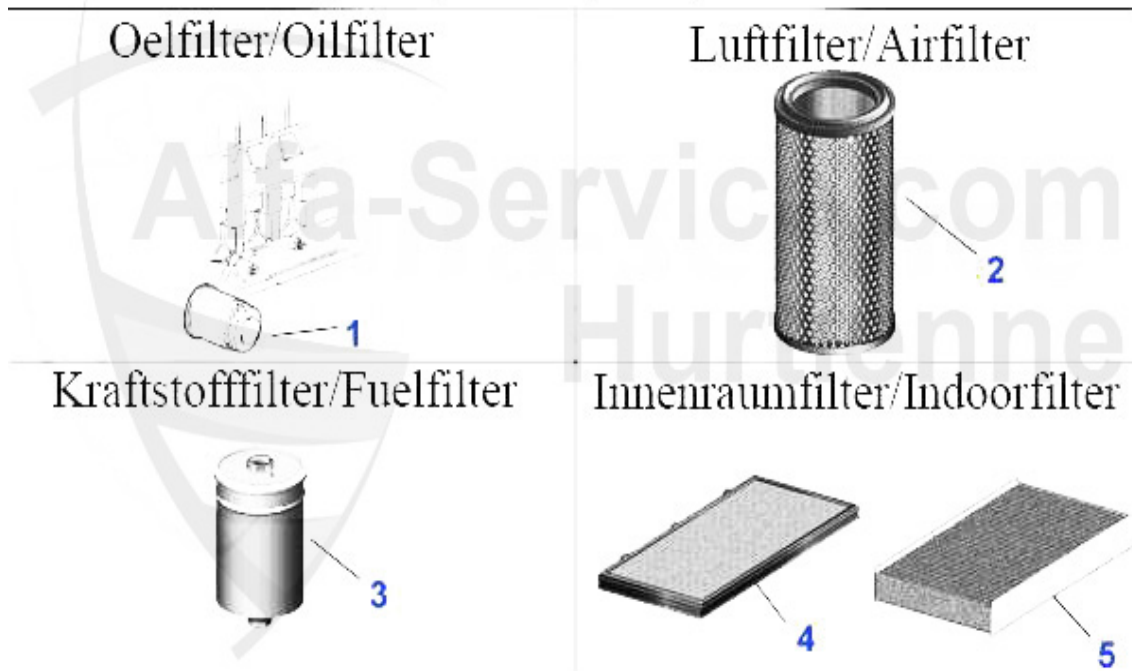


1	NKW1593	Nockenwelle Auslass 3,2 CF4 159/Brera/Spider 05-10 Rechter Zylinderkopf! 71741087	280.00 EUR
2	NKW1594	Nockenwelle Einlass 3,2 CF4 159/Brera/Spider 05-10 Rechter Zylinderkopf!	280.00 EUR
3	NKW1595	Nockenwelle Einlass 3,2 CF4 159/Brera/Spider 05-10 Linker Zylinderkopf!	280.00 EUR
4	NKW1596	Nockenwelle Auslass 3,2 CF4 159/Brera/Spider 05-10 Linker Zylinderkopf!	280.00 EUR

**Brera/Spider (939) > ENGINE > VALVE GEAR > 2.2 JTS > CAMSHAFT**

<b>1</b>	<b>NKW1592</b>	<b>EXHAUST CAMSHAFT 2.2 JTS AR159/BRERA/ SPIDER (05-10)</b>	<b>479.00 EUR</b>
<b>2</b>	<b>NKW1597</b>	<b>Nockenwelle Einlass 2,2 JTS AR159/Brera/Spider (05-10)</b>	<b>498.99 EUR</b>

## Filter gtv/spider (916) 1.8/2.0 TS



1	OF519	OE. 46808398/71736159 OILFILTER	8.90 EUR
1	OF352	OE.46808398 OIL FILTER GTV/SPIDER (916) TS, SPIN ON TYPE VERSION	7.18 EUR
1	OF128	OIL FILTER GIULIETTA 1.8TB/MITO 1.6/ BRERA 1.8TB 159 1.8/1.9/2.0	6.95 EUR
2	LF93	OE. 60811342 AIR FILTER	26.50 EUR
3	KF86	OE.60506968 FUEL FILTER 75, 164 SUPER, GTV/SPIDER (916) SCREW ON TYPE	25.89 EUR
4	IF309	OE.60810570 INDOOR FILTER 145/6/155 >96 GTV Spider(916) >98, SQUARE	26.91 EUR
5	IF314	OE.60812197 CABIN FILTER 145/6/155 96> GTV/SPIDER (916) 98> SQUARE	26.91 EUR

## Filter gtv/spider (916) 2.0 JTS

Oelfilter/Oilfilter

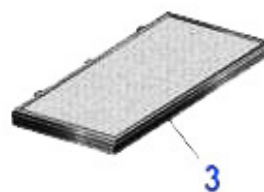


Luftfilter/Airfilter



Kraftstofffilter/Fuelfilter

Innenraumfilter/Indoorfilter



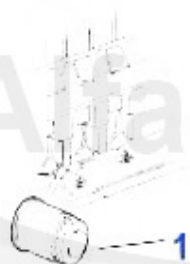
1	OF519	OE. 46808398/71736159 OILFILTER	8.90 EUR
2	LF93	OE. 60811342 AIR FILTER	26.50 EUR
3	IF309	OE.60810570 INDOOR FILTER 145/6/155 >96 GTV Spider(916) >98, SQUARE	26.91 EUR



## Filter gtv/spider (916) 2.0 V6 Turbo

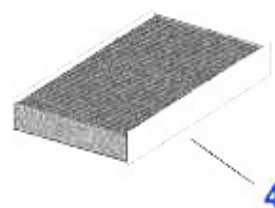
Oelfilter/Oilfilter

Luftfilter/Airfilter



Kraftstofffilter/Fuelfilter

Innenraumfilter/Indoorfilter



1	OF124	OE. 46805830 OILFILTER	9.13 EUR
2	LF280	AIR FILTER 155 TS/ TD/V6/Q4/GTV/SPIDER(916)2.0 V6 TURBO,SQUARE	13.34 EUR
3	KF86	OE.60506968 FUEL FILTER 75, 164 SUPER, GTV/SPIDER (916) SCREW ON TYPE	25.89 EUR
4	IF314	OE.60812197 CABIN FILTER 145/6/155 96> GTV/SPIDER (916) 98> SQUARE	26.91 EUR

## Filter gtv/spider (916) 3.0 V6

Oelfilter/Oilfilter



Luftfilter/Airfilter



Kraftstofffilter/Fuelfilter

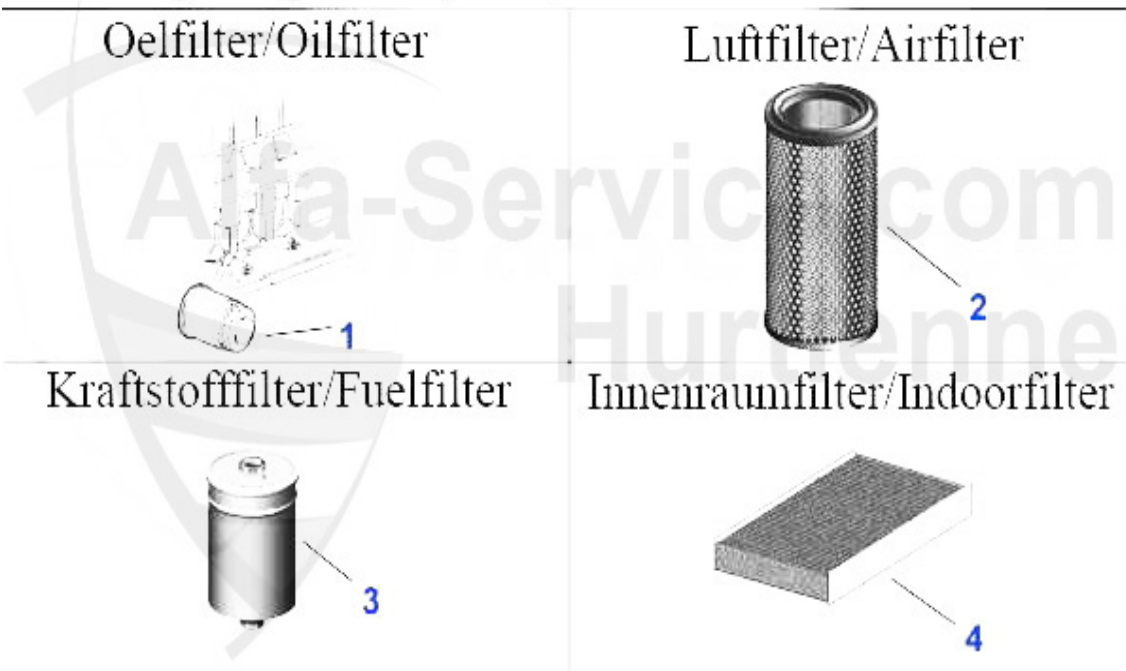


Innenraumfilter/Indoorfilter



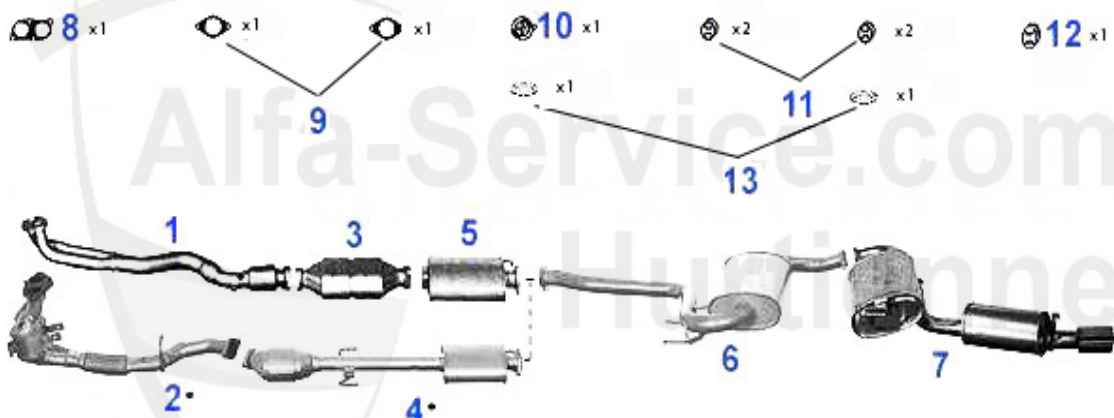
1	OF124	OE. 46805830 OILFILTER	9.13 EUR
2	LF93	OE. 60811342 AIR FILTER	26.50 EUR
3	KF86	OE.60506968 FUEL FILTER 75, 164 SUPER, GTV/SPIDER (916) SCREW ON TYPE	25.89 EUR
4	IF314	OE.60812197 CABIN FILTER 145/6/155 96> GTV/SPIDER (916) 98> SQUARE	26.91 EUR

## Filter gtv/spider (916) 3.0/3.2 V6 24V/GTA



1	OF124	OE. 46805830 OILFILTER	9.13 EUR
1	OF128	OIL FILTER GIULIETTA 1.8TB/MITO 1.6/ BRERA 1.8TB 159 1.8/1.9/2.0	6.95 EUR
2	LF350	Luftfilter gtv/spider (916) V6 24V	36.14 EUR
3	KF86	OE.60506968 FUEL FILTER 75, 164 SUPER, GTV/SPIDER (916) SCREW ON TYPE	25.89 EUR
4	IF314	OE.60812197 CABIN FILTER 145/6/155 96> GTV/SPIDER (916) 98> SQUARE	26.91 EUR

Abgasanlage/Exhaust System gtv/spider (916) 1.8/2.0 TS



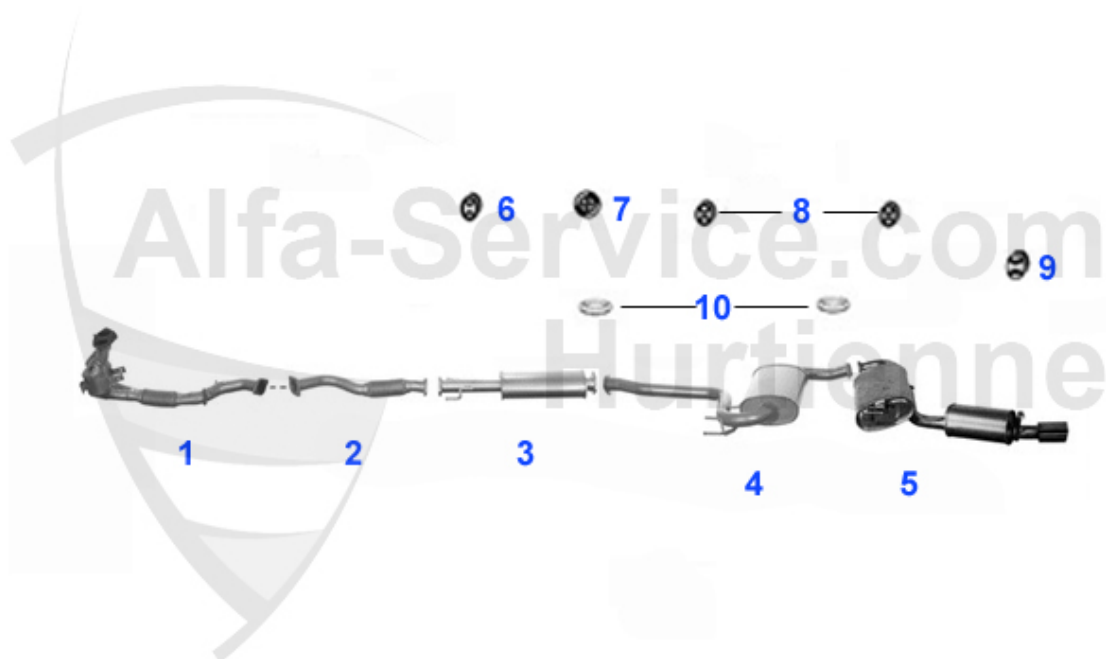
SPIDER / GTV 16V TWIN SPARK 1.8i/2.0i

• 2.0 (EURO 3) (02/02-)

'95-

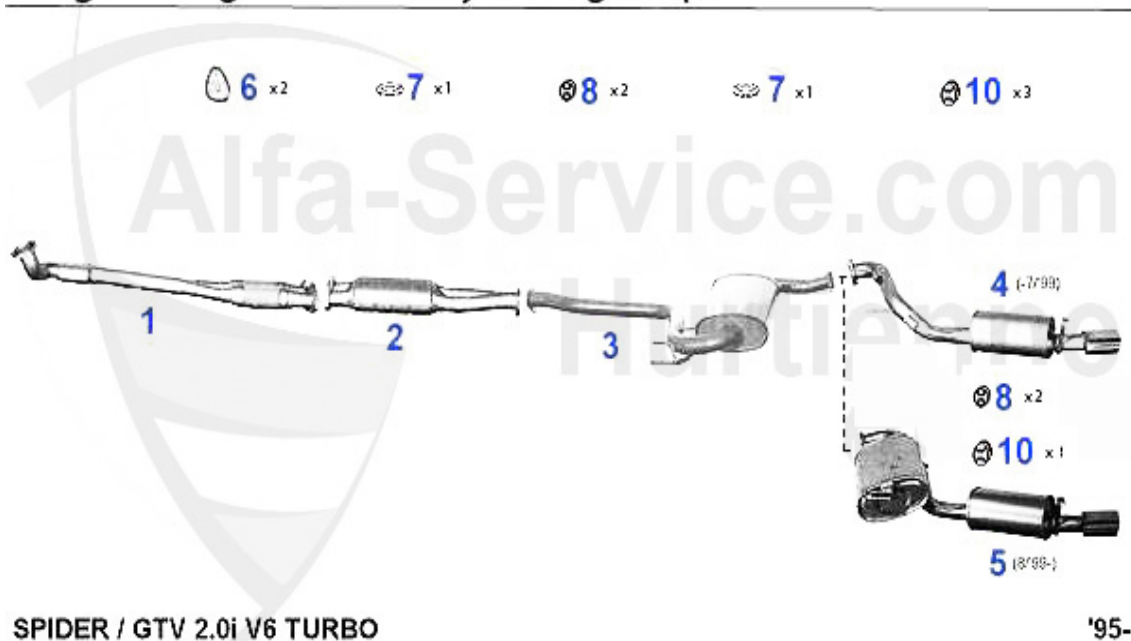
1	VSD102101 FRONT MUFFLER SPIDER/GTV (916) 1.8 & 2.0 TS 95> 145/6,155 2.0 16V TS 95-96	188.14 EUR
2	KAT74780 OE. 60674780 EXHAUST PIPE CATALIZED gtv/spider (916) 2.0 TS > #7014390 VERSION: "MARELLI/DESCAMP"	***
2	KAT78256 OE. 60678256 EXHAUST PIPE CATALIZED gtv/spider (916) 2.0 TS CF3 > #7014390 VERSION: "ZEUNA"	***
3	KAT113133 CATALYST SPIDER/GTV (916) 1.8 & 2.0 TS 95>,155 2.0 ie TS (CAT AND CENTRE 2 PIECES)	689.00 EUR
4	KAT67547 OE.60667547 SILENCER CATALIZED gtv/spider (916) 2.0 TS CF3	660.91 EUR
5	MSD102103 MIDDLE SILENCER GTV/SPIDER (916) 1.8/2.0 TS	118.00 EUR
6	MSD102106 MIDDLE SILENCER GTV/SPIDER 95>	169.00 EUR
7	NSD102109 REAR SILENCER GTV/SPIDER (916) 95 >	215.00 EUR
8	SAT094474 Dichtung VSD spider/gtv (916) 145/6,155,156 2.0 TS 16V	10.77 EUR
9	SAT094487 CATALYST GASKET SPIDER/GTV (916)	5.08 EUR
10	SAT091012 OE 60503033, RUBBER/EXHAUST MOUNTING DIVERSE TYPES	4.00 EUR
11	SAT091143 SILENT BLOC MUFFLER SUSPENSION SPIDER/ GTV (916),156,166,147 1.9JTD 8/16V	3.53 EUR
12	SAT091014 SILENT BLOC REAR SILENCER SUSPENSION SPIDER/GTV (916), 155 (92-96)	4.11 EUR
13	SAT094003 MUFFLER RING FOR VARIOUS MODELS	10.50 EUR

Brera/Spider (939) > EXHAUST SYSTEM > EXHAUST SYSTEM > 2.0 JTS



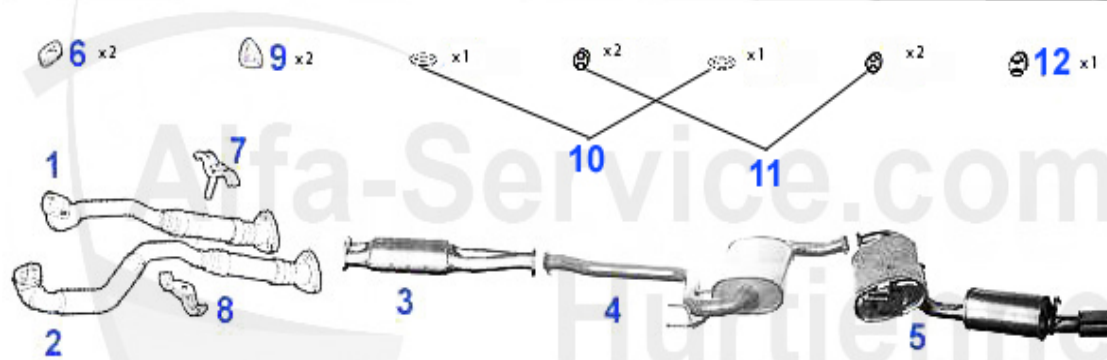
1	KAT84599	OE. 55184589 EXHAUST PIPE CATALIZED gtv/spider (916) 2.0 JTS	2124.15 EUR
2	VR116545	FRONT MUFFLER 156/GTV/SPIDER (916)/NUOVO GT 2.0 JTS	184.65 EUR
3	KAT83428	OE. 55183428 SILENCER CATALIZED gtv/spider (916) 2.0 JTS	***
4	MSD83429	OE. 55183429 MIDDLE SILENCER gtv/spider (916) 2.0 JTS	261.60 EUR
5	NSD83431	OE. 55183431 REAR SILENCER gtv/spider (916) 2.0 JTS	399.05 EUR
6	SAT091140	Gummi/Auspuffaufhängung 145/6 ESD 16V TS,155 2.0 16V TS	4.19 EUR
7	SAT091012	OE 60503033, RUBBER/EXHAUST MOUNTING DIVERSE TYPES	4.00 EUR
8	SAT091143	SILENT BLOC MUFFLER SUSPENSION SPIDER/ GTV (916),156,166,147 1.9JTD 8/16V	3.53 EUR
9	SAT091014	SILENT BLOC REAR SILENCER SUSPENSION SPIDER/GTV (916), 155 (92-96)	4.11 EUR
10	SAT094003	MUFFLER RING FOR VARIOUS MODELS	10.50 EUR

Abgasanlage/Exhaust System gtv/spider (916) 2.0 V6 Turbo



1	VR654442	OE. 60654442 EXHAUST PIPE CATALIZED gtv/spider (916) 2.0 V6 TURBO 1995-98	***
1	VR656242	OE.60656242 EXHAUST PIPE CATALIZED gtv/spider (916) 2.0 V6 TURBO	696.55 EUR
2	KAT56116	OE. 60656116 SILENCER CATALIZED gtv/spider (916) 2.0 V6 TURBO 1998>	***
2	KAT53561	OE. 60653561 SILENCER CATALIZED gtv/spider V6 12/24V CF3	1277.20 EUR
2	KAT102233	OE. 60583950 KATALYSATOR gtv/spider (916) V6 3.0 12/24V CF2, 2.0 V6 Turbo CF2 >1998	***
3	MSD102106	MIDDLE SILENCER GTV/SPIDER 95>	169.00 EUR
4	NSD102207	Endtopf gtv/spider (916) 2.0 turbo Bj. 95-07.99	230.82 EUR
5	NSD102109	REAR SILENCER GTV/SPIDER (916) 95 >	215.00 EUR
6	SAT573540	FRONT PIPE/CAT GASKET 164 SUPER,GTV/ SPIDER (916) 3.0 V6	5.13 EUR
7	SAT094003	MUFFLER RING FOR VARIOUS MODELS	10.50 EUR
8	SAT091143	SILENT BLOC MUFFLER SUSPENSION SPIDER/ GTV (916),156,166,147 1.9JTD 8/16V	3.53 EUR
10	SAT091014	SILENT BLOC REAR SILENCER SUSPENSION SPIDER/GTV (916), 155 (92-96)	4.11 EUR

Abgasanlage/Exhaust System gtv/spider (916) 3.0 V6 12V

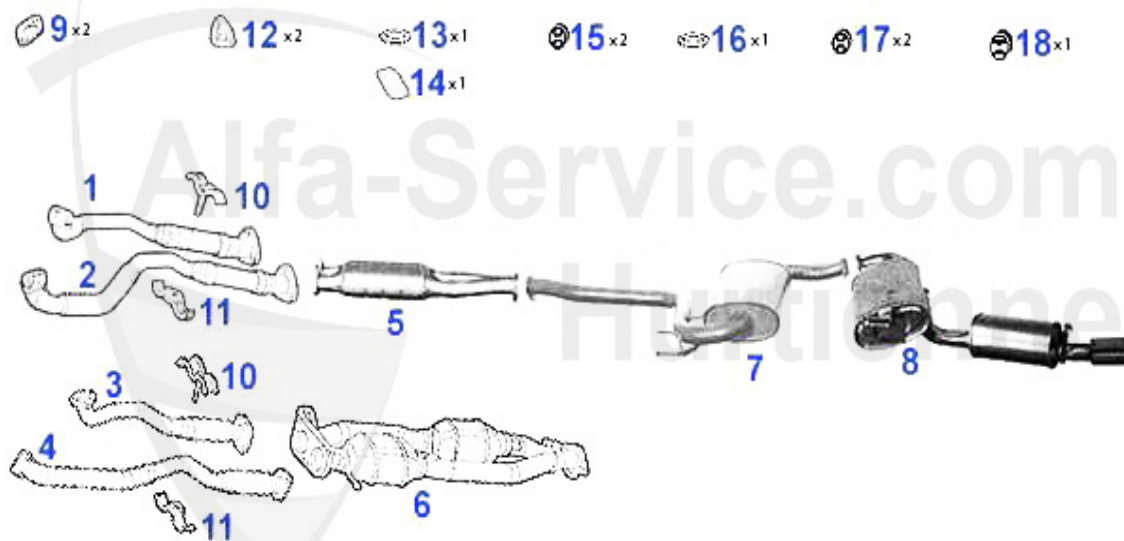


SPIDER 3.0i V6 12V / GTV 3.0i

'95-

1	VR656461	OE. 60656461	EXHAUST PIPE gtv/spider (916) 3.0 V6 RIGHT	***
2	VR656464	OE. 60656464	EXHAUST PIPE gtv/spider (916) 3.0 V6 LEFT	***
3	KAT53561	OE. 60653561	SILENCER CATALIZED gtv/spider V6 12/24V CF3	1277.20 EUR
3	KAT102233	OE. 60583950	KATALYSATOR gtv/spider (916) V6 3.0 12/24V CF2, 2.0 V6 Turbo CF2 >1998	***
4	MSD102106		MIDDLE SILENCER GTV/SPIDER 95>	169.00 EUR
5	NSD102109		REAR SILENCER GTV/SPIDER (916) 95 >	215.00 EUR
6	SAT094414		GASKET FRONT MUFFLER 164/SUPER,RZ/SZ, GTV/SPIDER (916) 3.0 V6	4.94 EUR
7	SAT809014		Oberteil f. Klemmhalter Vorderrohr 164 Super,gtv/spider (916) 3.0 V6	***
8	SAT809013		Unterteil f. Klemmhalter Vorderrohr 164 Super,gtv/spider (916) 3.0 V6	***
9	SAT573540		FRONT PIPE/CAT GASKET 164 SUPER,GTV/ SPIDER (916) 3.0 V6	5.13 EUR
10	SAT094003		MUFFLER RING FOR VARIOUS MODELS	10.50 EUR
11	SAT091143		SILENT BLOC MUFFLER SUSPENSION SPIDER/ GTV (916),156,166,147 1.9JTD 8/16V	3.53 EUR
12	SAT091014		SILENT BLOC REAR SILENCER SUSPENSION SPIDER/GTV (916), 155 (92-96)	4.11 EUR

Abgasanlage/Exhaust System gtv/spider (916) 3.0 V6 24V



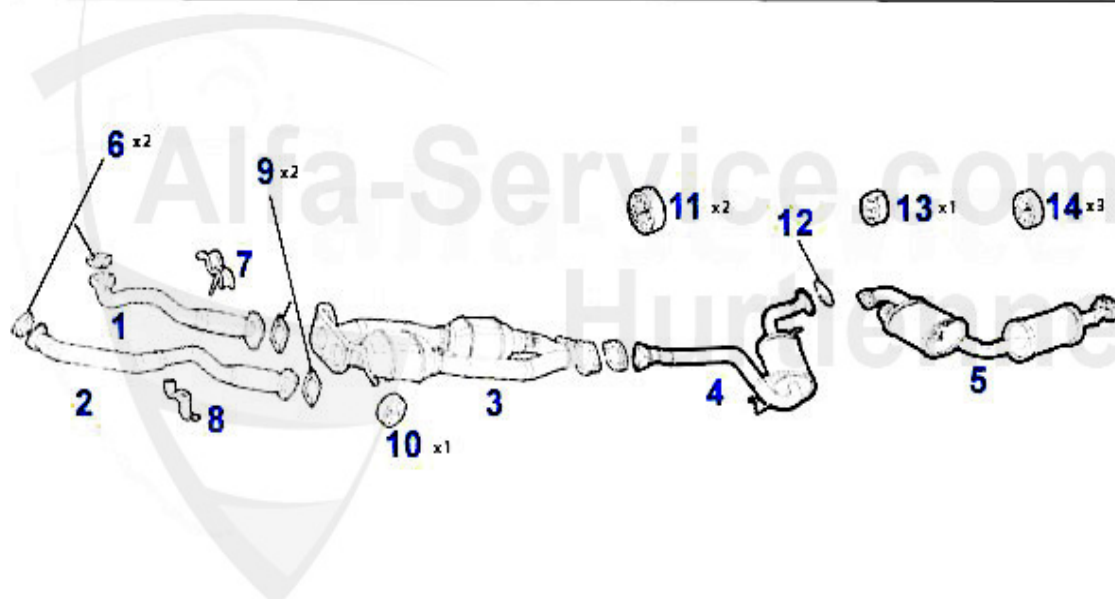
gtv/spider (916) 3.0 V6 24V

'95-

1	VR620490	OE. 60620490 EXHAUST PIPE gtv (916) 3.0 V6 24V 1995-98	428.40 EUR
1	VR656119	OE. 60656119 EXHAUST PIPE gtv (916) 3.0 V6 24V 1998>	320.00 EUR
2	VR658028	OE. 60658028 EXHAUST PIPE gtv (916) V6 24V	416.50 EUR
3	VR69658	OE. 60669658 EXHAUST PIPE FR 147 GTA	265.70 EUR
4	VR69659	OE. 60669659 EXHAUST PIPE FL 147 GTA	327.25 EUR
5	KAT102233	OE. 60583950 KATALYSATOR gtv/spider (916) V6 3.0 12/24V CF2, 2.0 V6 Turbo CF2 >1998	***
6	KAT70380	OE. 60670380 KATALYSATOR gtv/spider (916) 3.0/3.2 V6 24V CF3	1064.85 EUR
7	MSD102106	MIDDLE SILENCER GTV/SPIDER 95>	169.00 EUR
8	NSD102109	REAR SILENCER GTV/SPIDER (916) 95 >	215.00 EUR
9	SAT54239	GASKET 156,164 SUPER,166,GTV/SPIDER (916) V6 24V (OE 60654239)	10.14 EUR
10	SAT809014	Oberteil f. Klemmhalter Vorderrohr 164 Super,gtv/spider (916) 3.0 V6	***
11	SAT809013	Unterteil f. Klemmhalter Vorderrohr 164 Super,gtv/spider (916) 3.0 V6	***
12	SAT573540	FRONT PIPE/CAT GASKET 164 SUPER,GTV/ SPIDER (916) 3.0 V6	5.13 EUR
13	SAT094003	MUFFLER RING FOR VARIOUS MODELS	10.50 EUR
14	SAT094484	Dichtung VSD/Kat Diverse	9.75 EUR
15	SAT091143	SILENT BLOC MUFFLER SUSPENSION SPIDER/ GTV (916),156,166,147 1.9JTD 8/16V	3.53 EUR
16	SAT091014	SILENT BLOC REAR SILENCER SUSPENSION SPIDER/GTV (916), 155 (92-96)	4.11 EUR



Abgasanlage/Exhaust System gtv/spider (916) 3.2 V6 24V/GTA

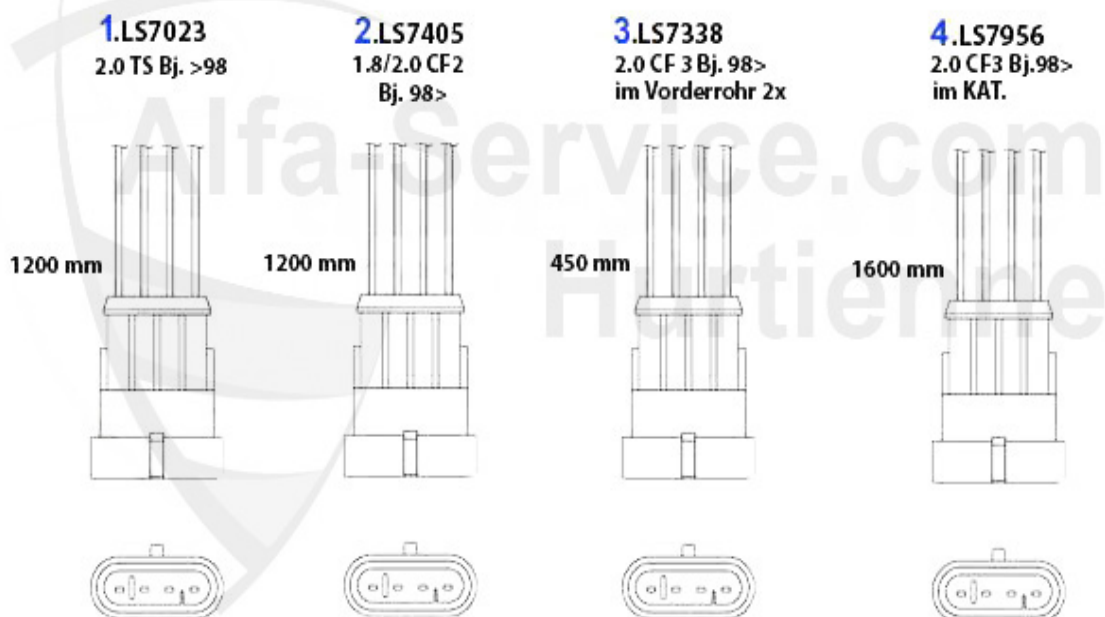


gtv/spider (916) 3.2/GTA

'03-

1	VR69658	OE. 60669658 EXHAUST PIPE FR 147 GTA	265.70 EUR
2	VR69659	OE. 60669659 EXHAUST PIPE FL 147 GTA	327.25 EUR
3	KAT70380	OE. 60670380 KATALYSATOR gtv/spider (916) 3.0/3.2 V6 24V CF3	1064.85 EUR
4	MSD84807	OE. 55184807 MIDDLE SILENCER gtv/spider (916) 3.2 V6 24V	***
5	NSD84808	OE. 55184808 REAR SILENCER gtv/spider (916) 3.2 V6 24V	***
6	SAT54239	GASKET 156,164 SUPER,166,GTV/SPIDER (916) V6 24V (OE 60654239)	10.14 EUR
7	SAT809014	Oberteil f. Klemmhalter Vorderrohr 164 Super,gtv/spider (916) 3.0 V6	***
8	SAT809013	Unterteil f. Klemmhalter Vorderrohr 164 Super,gtv/spider (916) 3.0 V6	***
9	SAT573540	FRONT PIPE/CAT GASKET 164 SUPER,GTV/ SPIDER (916) 3.0 V6	5.13 EUR
10	SAT091012	OE 60503033, RUBBER/EXHAUST MOUNTING DIVERSE TYPES	4.00 EUR
11	SAT091031	RUBBER EXHAUST	4.00 EUR
12	SAT094484	Dichtung VSD/Kat Diverse	9.75 EUR
13	SAT091014	SILENT BLOC REAR SILENCER SUSPENSION SPIDER/GTV (916), 155 (92-96)	4.11 EUR
14	SAT091143	SILENT BLOC MUFFLER SUSPENSION SPIDER/ GTV (916),156,166,147 1.9JTD 8/16V	3.53 EUR

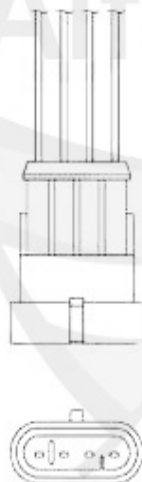
Lambda-Sonde/Lambda Probe gtv/spider (916) 1.8/2.0 TS



1	LS7023	Lambda-Sonde 145/6 2.0 16V TS bj. 11.96>,156 1.6 16V TS ># 0023373, 164 Super 2.0 TS/3.0 V6/24V bj. 10.96>,Spider/gtv (916) 2.0 TS/3.0 V6/24V	78.99 EUR
2	LS7405	LAMBDA PROBE 145/6 1.4/1.6/1.8/16V TS/2.0 QV,156 1.6 16V TS #0023373> 156 1.8/2.0/16V TS/2.5 V6 24V,166 6-CYL.,SPIDER/GTV (916) 1.8/ FOUR-CORE CABLE	127.00 EUR
3	LS7956	Lambda-Sonde gtv/spider (916) 2.0 16V TS bj. 08.00>,4-adrig	165.41 EUR

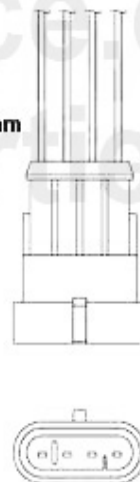
Lambda-Sonde/Lambda Probe gtv/spider (916) 2.0 JTS

1.LS811311  
im Vorderrohr 2x



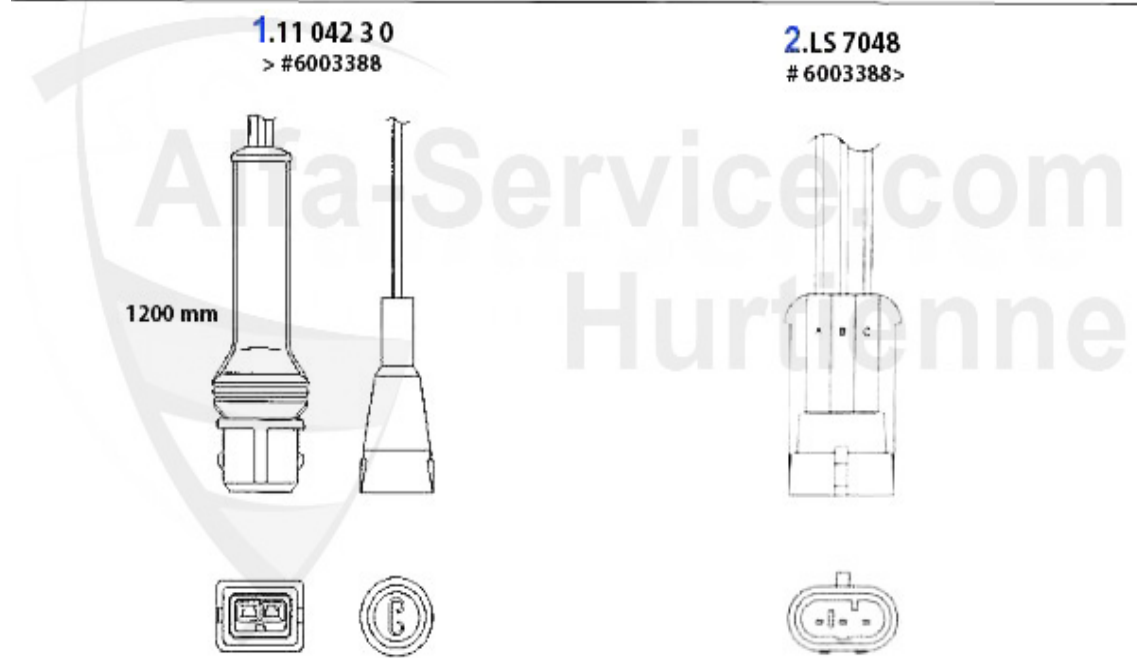
2.LS7212  
im KAT.

650 mm



1	LS811311	OE. 46811311 LAMBDA PROBE 156, 166, gtv/spider (916), Nuovo GT 2.0 TS CF3/ JTS >05.2005	149.00 EUR
2	LS7212	Lambda-Sonde 147 1.6 16V TS,156 2.0 JTS/2.5 V,166 2.0 TS,gtv/spider (916) 3.0 V6 24V,4-adrig	66.00 EUR

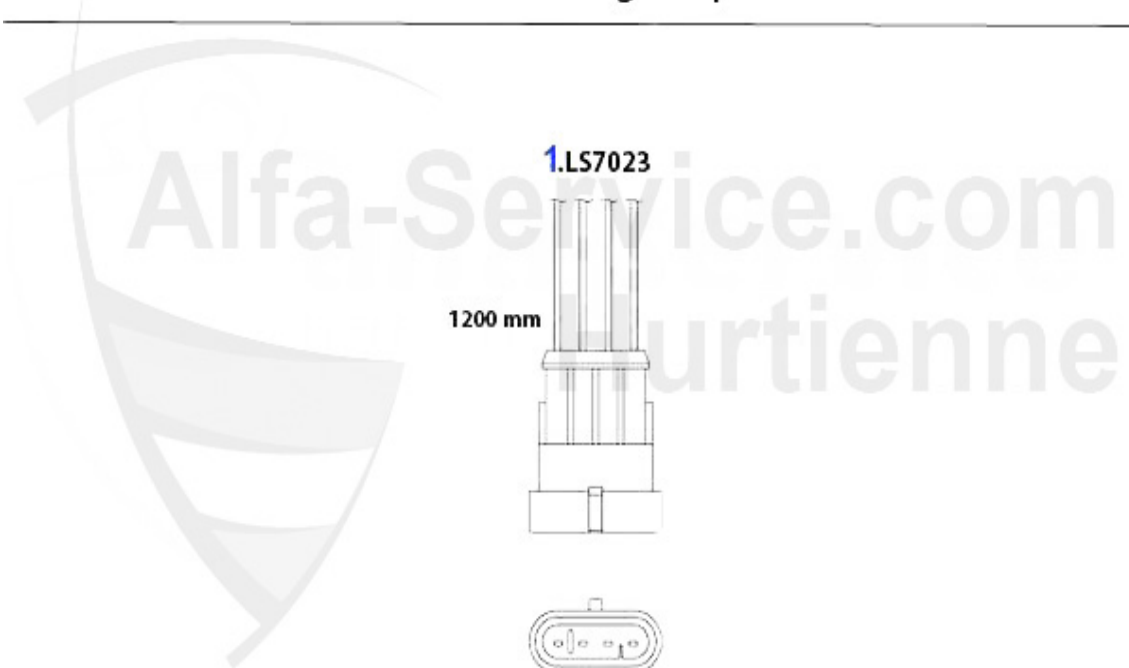
Lambda-Sonde/Lambda Probe gtv/spider (916) 2.0 V6 Turbo



1	11 042 3 0	OE. 7654221 LAMBDA-PROBE	95.00 EUR
2	LS7048	Lambda-Sonde gtv/spider (916) 2.0 V6 turbo, 3-adrig	128.23 EUR

Lambda-Sonde/Lambda Probe gtv/spider (916) 3.0V6 12V

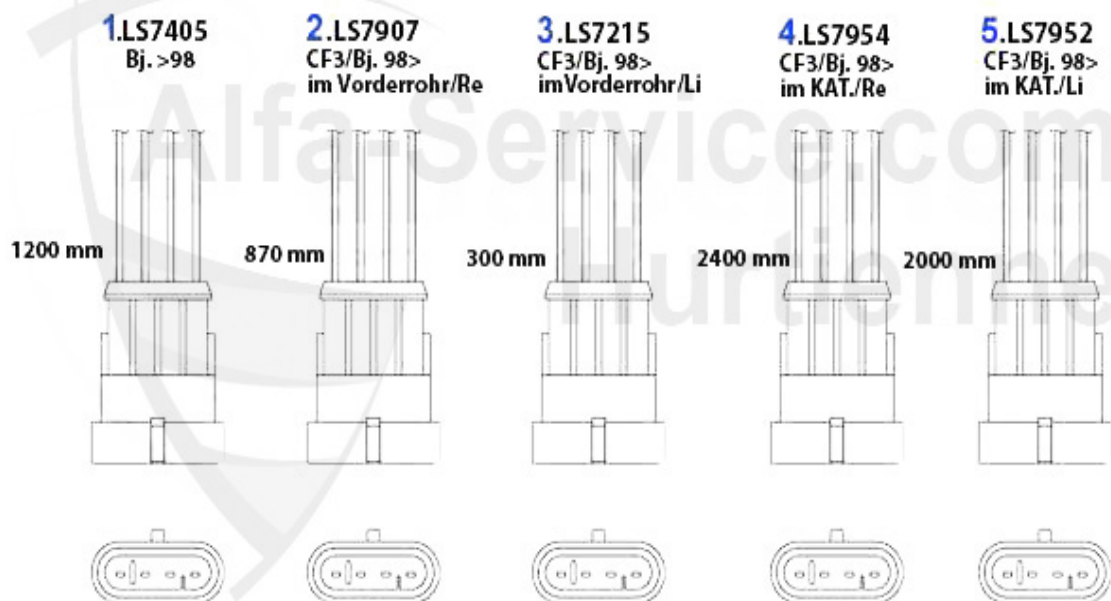
---



- 
- |   |        |  |
|---|--------|--|
| 1 | LS7023 | Lambda-Sonde 145/6 2.0 16V TS bj. 11.96>,156 1.6 16V TS ># 0023373,<br>164 Super 2.0 TS/3.0 V6/24V bj. 10.96>,Spider/gtv (916) 2.0 TS/3.0 V6/24V |
|---|--------|--|

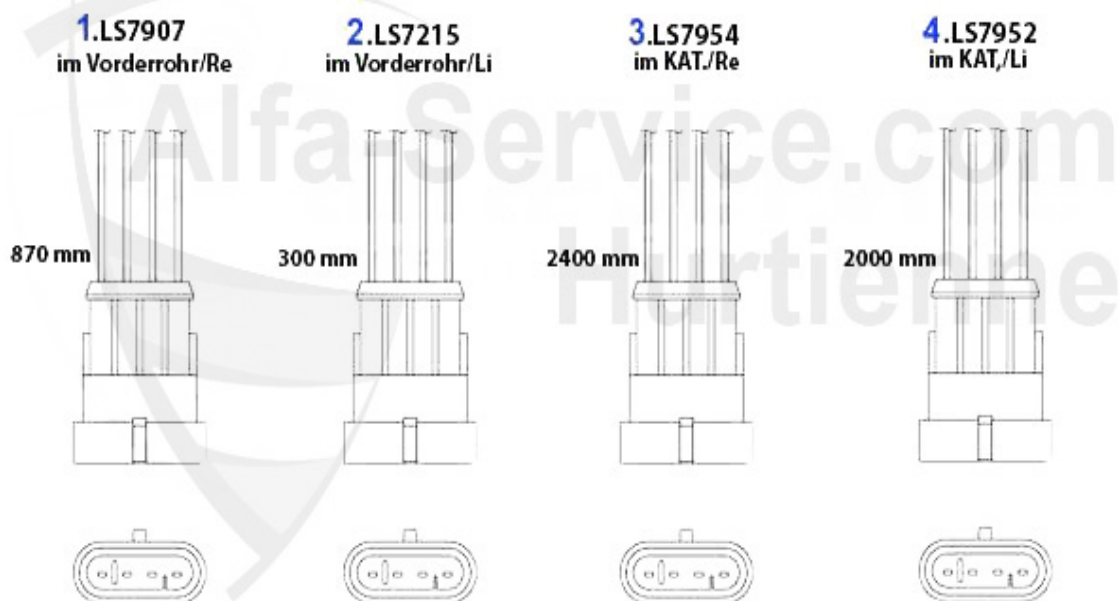
78.99 EUR

Lambda-Sonde/Lambda Probe gtv/spider (916) 3.0 V6 24V



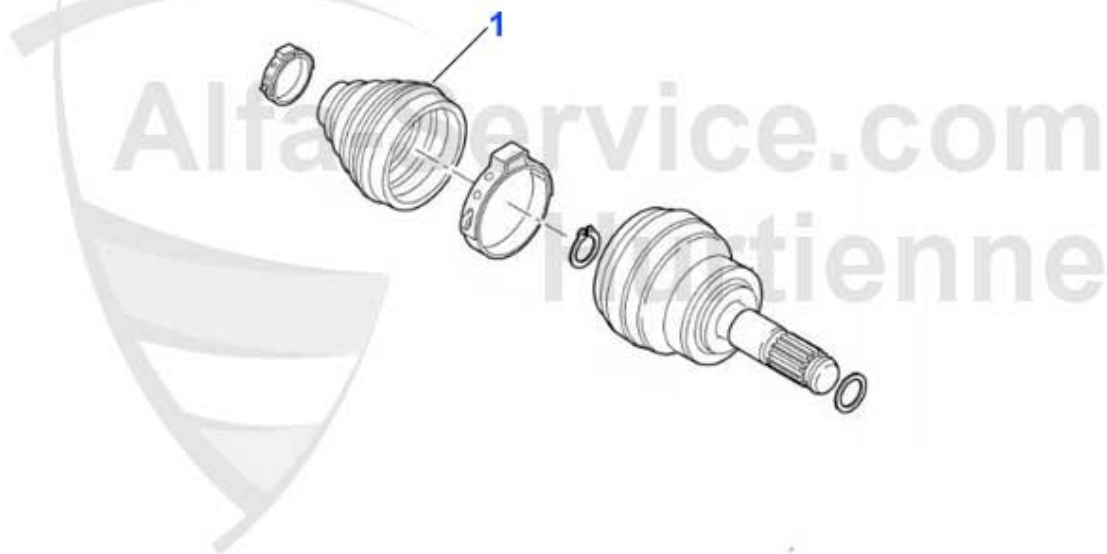
1	LS7405	LAMBDA PROBE 145/6 1.4/1.6/1.8/16V TS/2.0 QV,156 1.6 16V TS #0023373> 156 1.8/2.0/16V TS/2.5 V6 24V,166 6-CYL.,SPIDER/GTV (916) 1.8/ FOUR-CORE CABLE	127.00 EUR
2	LS7907	Lambda-Sonde 147 GTA,156 2.5 V6 24V bj. 10.00>/3.2 GTA,gtv/spider (916) 3.2 V6 24V,GT Nuovo 3.2 V6 24V 4-adrig	108.00 EUR
3	LS7215	Lambda-Sonde 147 1.6 16V TS ECO, 3.2 V6 24V GTA 166 2.5/3.0 V6 24 V, spider (916) 3.0 V6 bj. 10.00>,4-adrig	111.82 EUR
4	LS7954	Lambda-Sonde 147 GTA,156 2.5 V6 24V bj. 01.02>/ 3.2 GTA bj.03.02>,166 3.2 V6 24V, gtv/spider (916) 3.2 V6 24V, GT Nuovo 3.2 V6 24V,4-adrig	109.00 EUR
5	LS7952	Lambda-Sonde 147 GTA,156 2.5 V6 24V bj. 01.02>/3.2 GTA,GT Nuovo 3.2 V6 24V,gtv/spider 3.2 V6 24V,4-adrig	99.00 EUR

Lambda-Sonde/Lambda Probe gtv/spider (916) 3.02 V6 24V/GTA



1	LS7907	Lambda-Sonde 147 GTA,156 2.5 V6 24V bj. 10.00>/3.2 GTA,gtv/spider (916) 3.2 V6 24V,GT Nuovo 3.2 V6 24V 4-adrig	108.00 EUR
2	LS7215	Lambda-Sonde 147 1.6 16V TS ECO, 3.2 V6 24V GTA 166 2.5/3.0 V6 24 V, spider (916) 3.0 V6 bj. 10.00>,4-adrig	111.82 EUR
3	LS7954	Lambda-Sonde 147 GTA,156 2.5 V6 24V bj. 01.02>/ 3.2 GTA bj.03.02>,166 3.2 V6 24V, gtv/spider (916) 3.2 V6 24V, GT Nuovo 3.2 V6 24V,4-adrig	109.00 EUR
4	LS7952	Lambda-Sonde 147 GTA,156 2.5 V6 24V bj. 01.02>/3.2 GTA,GT Nuovo 3.2 V6 24V,gtv/spider 3.2 V6 24V,4-adrig	99.00 EUR

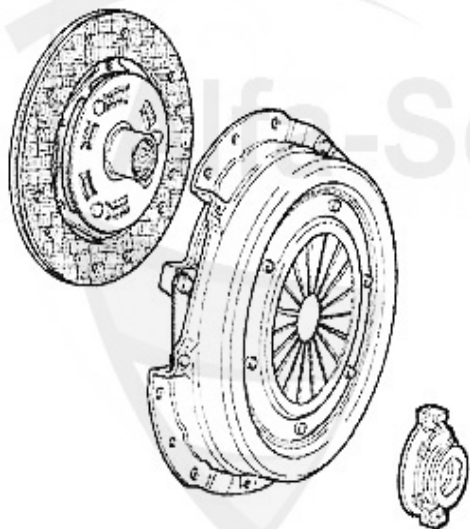
Brera/Spider (939) > DRIVETRAIN > DRIVE SHAFT > 2.4 JTD



1	AMS15480-2AXLE BOOT AR159 2.4JTD/BRERA 05<,SPIDER 06< (WHEEL SIDE) NOT FOR Q4	22.00 EUR
1	AMS15480-1AXLE BOOT AR159 1.8 WHEEL SIDE	13.99 EUR
1	AMS15480 AXLE BOOT AR159 1.9/2.2/1.9JTD/WHEEL SIDE (BRERA 05< + SPIDER 06<	17.90 EUR



Kupplungs-Kit/Clutch Set gtv/spider (916) 1.8/2.0 TS

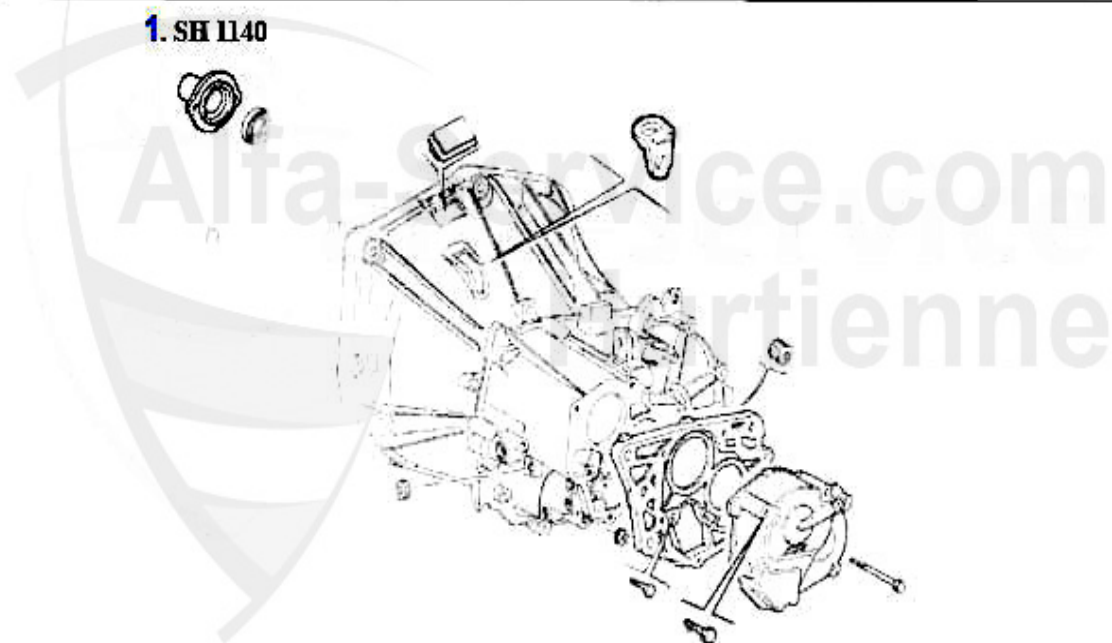


1. KK 576001  
Ø 215 mm  
1.8 TS

2. KK 789001  
Ø 230 mm  
2.0 TS

1	KK576001	CLUTCH SET 145/6 1.4/1.6/1.8 TS,GTV/ Spider (916)/155 1.6/1.8 TS 16V,2.0 TS 8V 92-99	199.00 EUR
2	KK789001	OE. 71734766 CLUTCH KIT 2.0 TS 16V 230 mm	269.00 EUR

## Ausrücker/Sleeve Bearing gtv/spider (916) 1.8/2,0 TS

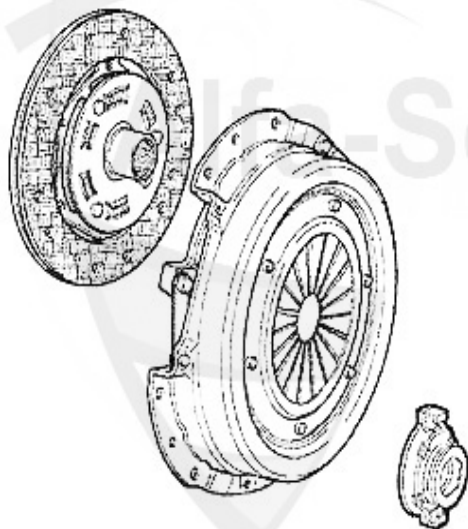


1 FH1140 Schiebehülse für Ausrücker 145/6, 147,155,156,gtv/spider (916)

19.49 EUR

## Kupplungs-Kit/Clutch Set gtv/spider (916) 2.0 JTS

---



1. KK 190116  
Ø 230 mm

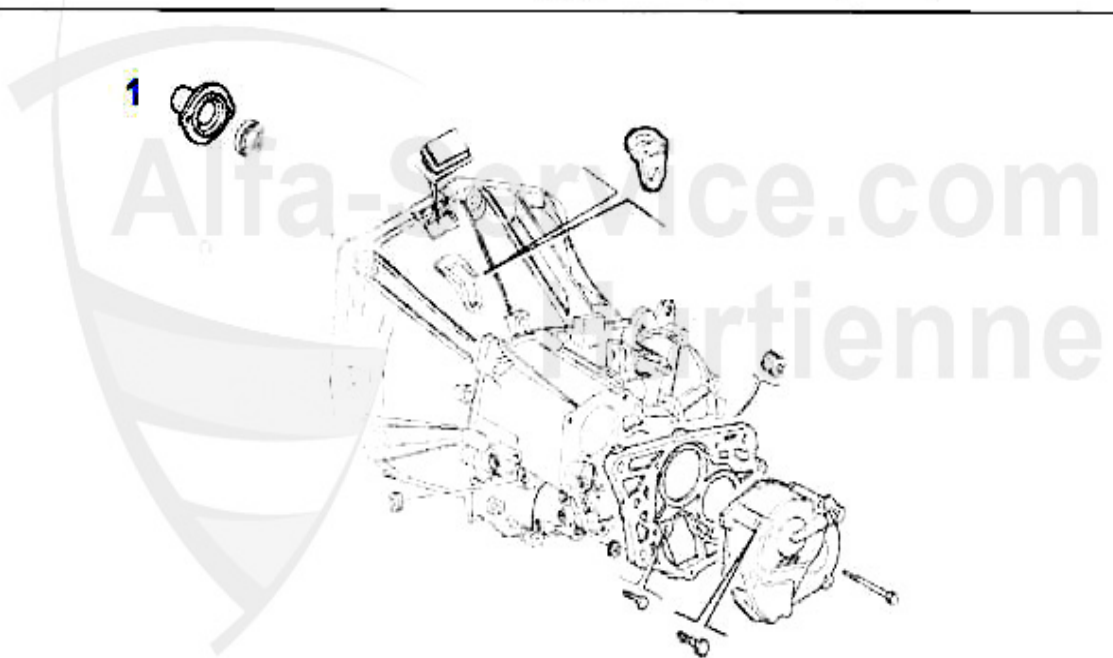
---

1 KK190116 OE. 55190116 KIT CLUTCH gtv/spider (916) 2.0 JTS

324.73 EUR

## Ausrücker/Sleeve Bearing gtv/spider (916) 2.0 JTS

---

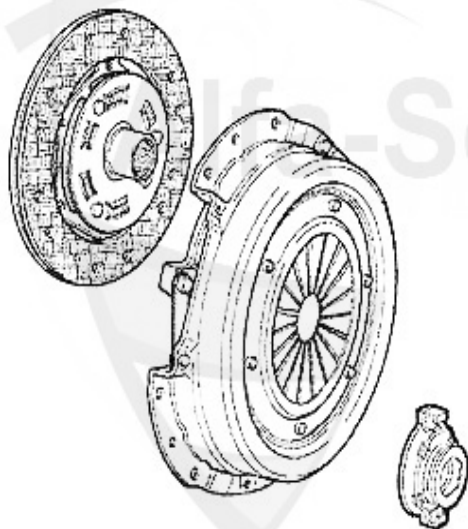


---

1 FH1140 Schiebehülse für Ausrücker 145/6, 147,155,156,gtv/spider (916)

19.49 EUR

Kupplungs-Kit/Clutch Set gtv/spider (916) 2.0 V6 Turbo



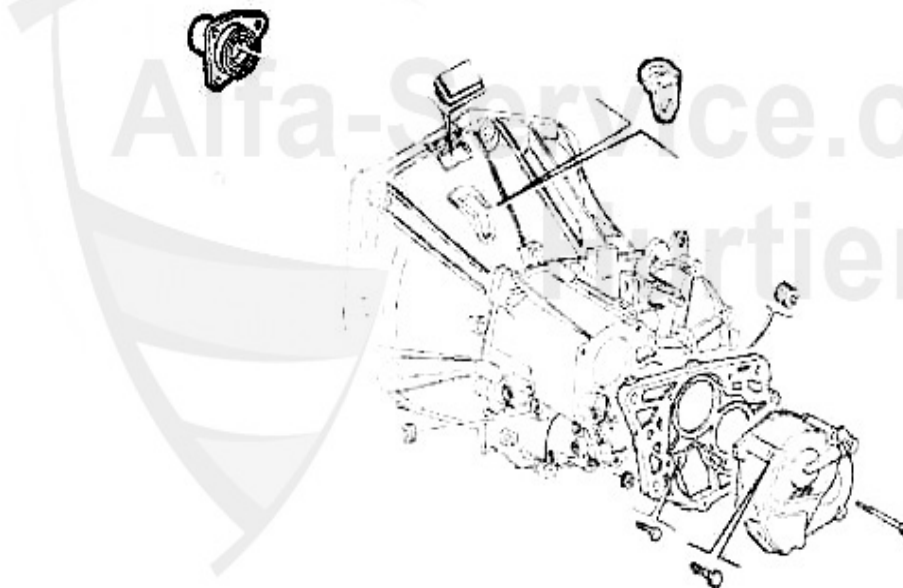
1. KK 790001  
Ø 230 mm  
gtv Bj >98

2. KK 727001  
Ø 235 mm  
gtv/spider Bj. 98>

1	KK790001	CLUTCH KIT SPIDER (916) 3.0 V6 06/1995-12/1998, GTV (916) 2.0 V6 Turbo to 1998	412.55 EUR
2	KK727001	CLUTCH-KIT 717 34 944/607 78 039/5896173	355.00 EUR

Ausrücker/Sleeve Bearing gtv/spider (916) 2.0 V6 Turbo

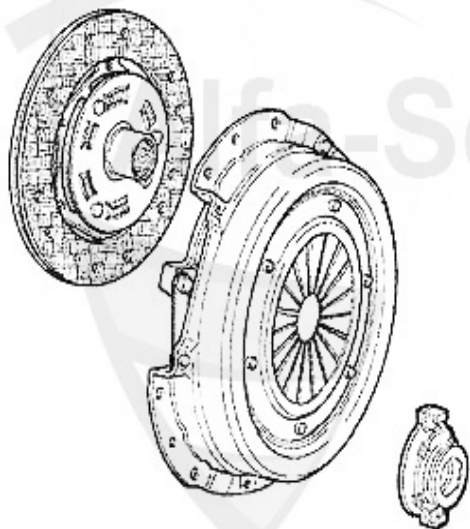
1. FH 11951



1 FH11951 GUIDE BUSH FOR CLUTCH RELEASE BEARING 3 HOLES  
145/6,147,155,164/SUPER

79.00 EUR

## Kupplungs-Kit/Clutch Set gtv/spider (916) 3.0 V6 12V



1. KK 790001  
Ø 230 mm  
Bj.>98

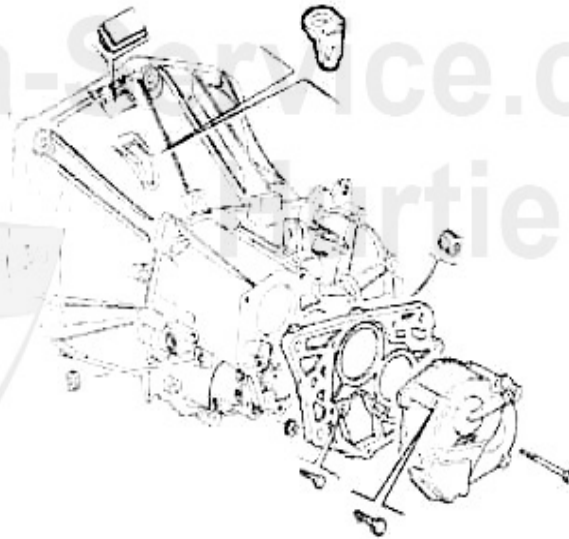
2. KK 727001  
Ø 235 mm  
Bj. 98>

1	KK790001	CLUTCH KIT SPIDER (916) 3.0 V6 06/1995-12/1998, GTV (916) 2.0 V6 Turbo to 1998	412.55 EUR
2	KK727001	CLUTCH-KIT 717 34 944/607 78 039/5896173	355.00 EUR

## Ausrücker/Sleeve Bearing gtv/spider (916) 3.0 V6 12V

---

**1. FH 11951**



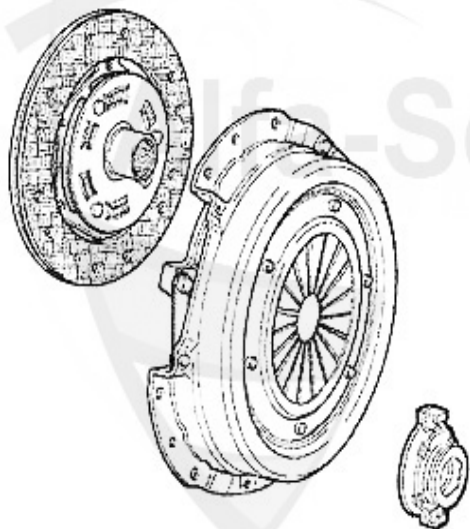
---

**1 FH11951 GUIDE BUSH FOR CLUTCH RELEASE BEARING 3 HOLES**  
145/6,147,155,164/SUPER

**79.00 EUR**



## Kupplungs-Kit/Clutch Set gtv/spider (916) 3.0 V6 24V



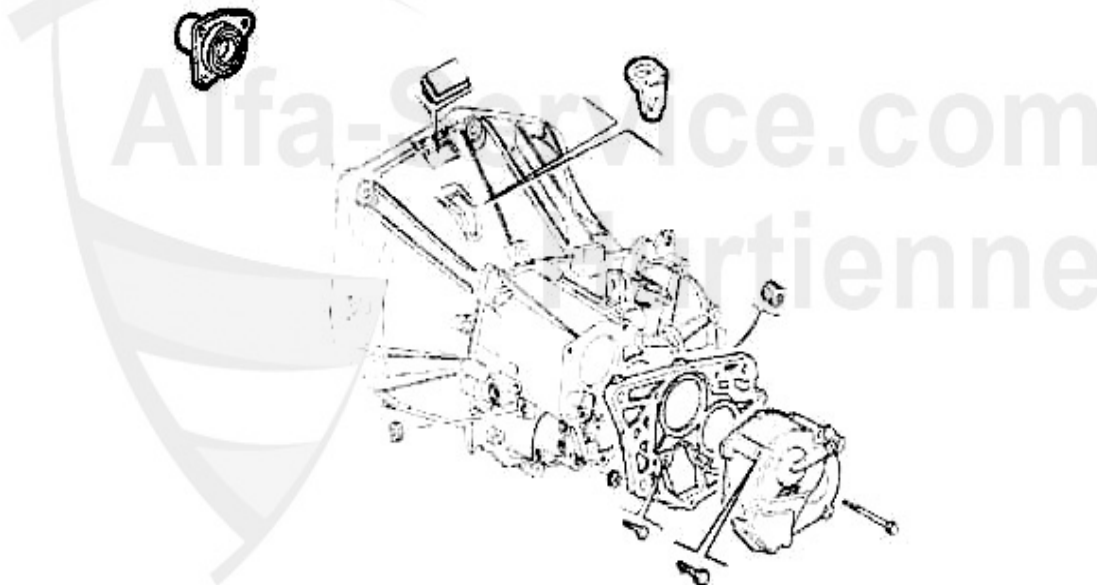
1. KK 727001  
Ø 235 mm  
gtv B.j >98

2. KK 735943  
Ø 235 mm  
gtv/spider Bj. 98>

1	KK727001	CLUTCH-KIT 717 34 944/607 78 039/5896173	355.00 EUR
2	KK735943	OE. 71735943 CLUTCH KIT 166,gtv/spider (916) 3.0 V6 24V = OE. 71718090	368.28 EUR

## Ausrücker/Sleeve Bearing gtv/spider (916) 3.0 V6 24V

1. FH 11951

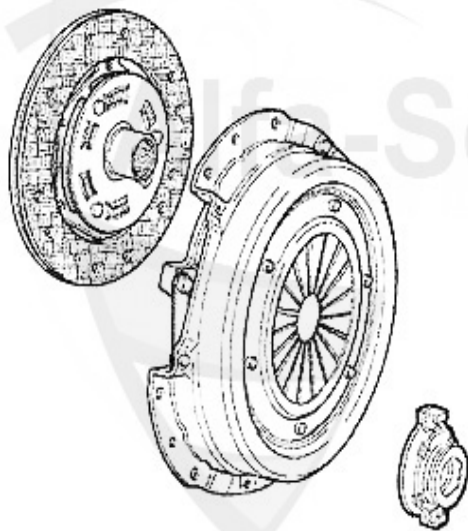


1 FH11951 GUIDE BUSH FOR CLUTCH RELEASE BEARING 3 HOLES  
145/6,147,155,164/SUPER

79.00 EUR

Kupplungs-Kit/Clutch Set gtv/spider (916) 3.2 V6 24V

---



1. KK 739521  
Ø 235 mm

---

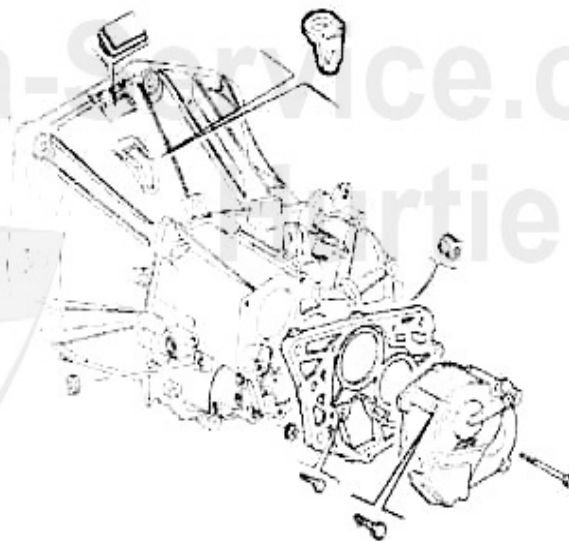
1 KK739521 OE. 71739521 CLUTCH KIT 147,156,916 GTA

559.36 EUR

## Ausrücker/Sleeve Bearing gtv/spider (916) 3.2 V6 24V

---

1. FH 11951



---

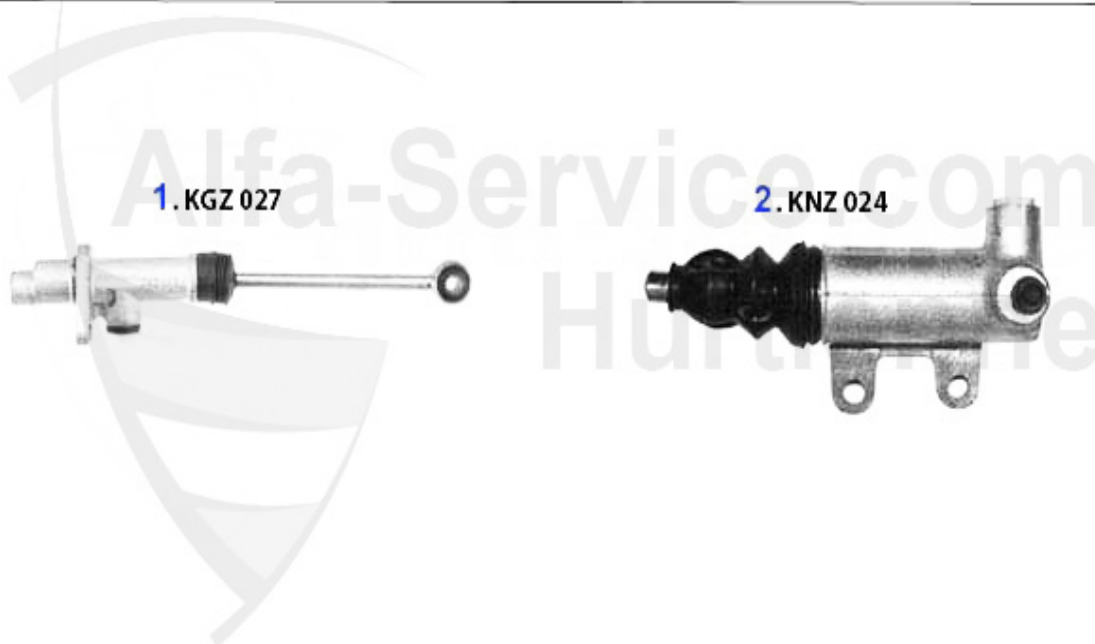
1 FH11951 GUIDE BUSH FOR CLUTCH RELEASE BEARING 3 HOLES  
145/6,147,155,164/SUPER

79.00 EUR

## Brera/Spider (939) > DRIVETRAIN > CLUTCH ACTUATION > 1.8/2.0 TS

Kupplungsbetätigung/Clutch Actuation gtv/spider (916) 1.8/2.0 TS

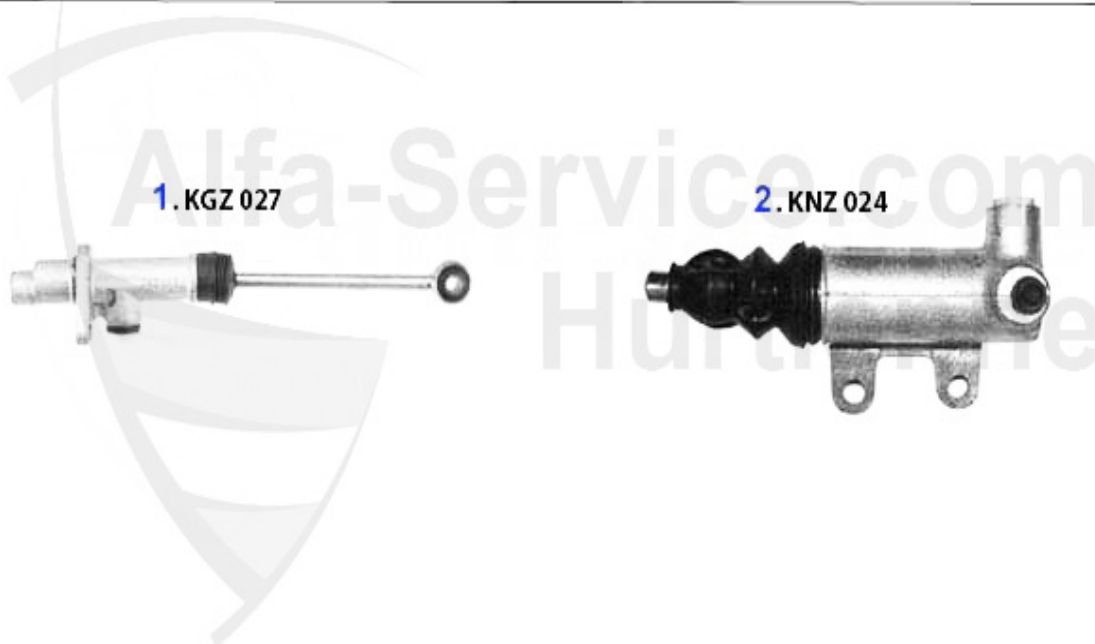
---



1	KGZ027	OE.60814827,CLUTCH MASTER CYLINDER 145/6,155,GTV/SPIDER(916)	89.00 EUR
2	KNZ008	OE. 60502665 CLUTCH SLAVE CYLINDER	59.00 EUR
2	KNZ024	OE.71739541 CLUTCH SLAVE CYL.145/6 155,0075933>,GTV/SPIDER(916) 07.95>	49.90 EUR

Kupplungsbetätigung/Clutch Actuation gtv/spider (916) 2.0 JTS

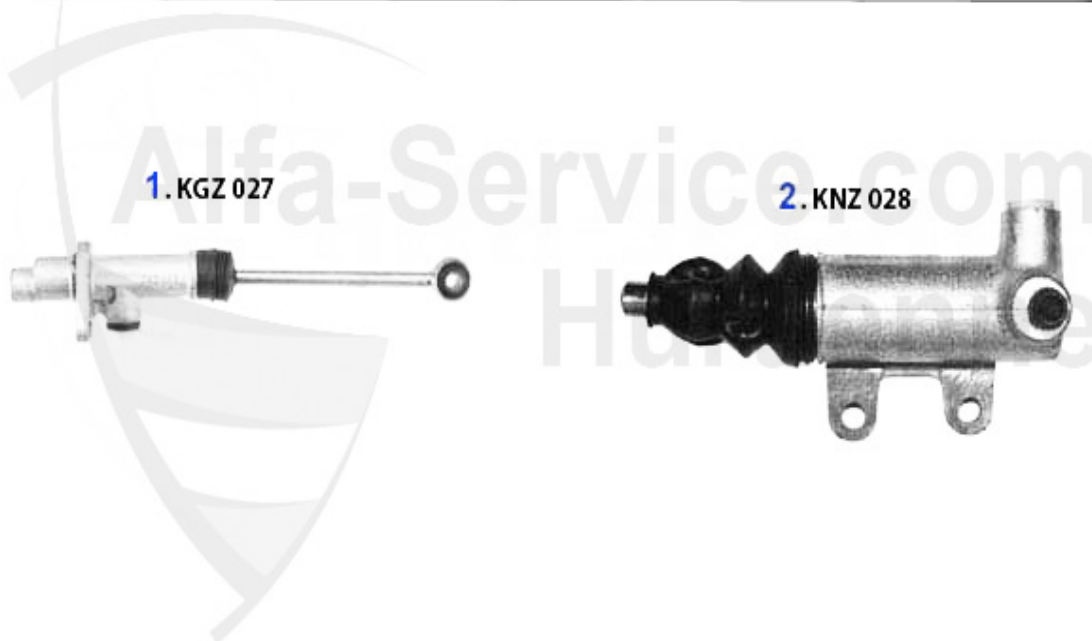
---



1	KGZ027	OE.60814827,CLUTCH MASTER CYLINDER 145/6,155,GTV/SPIDER(916)	89.00 EUR
2	KNZ008	OE. 60502665 CLUTCH SLAVE CYLINDER	59.00 EUR
2	KNZ024	OE.71739541 CLUTCH SLAVE CYL.145/6 155,0075933>,GTV/SPIDER(916) 07.95>	49.90 EUR

Kupplungsbetätigung/Clutch Actuation gtv/spider (916) 2.0 V6 Turbo

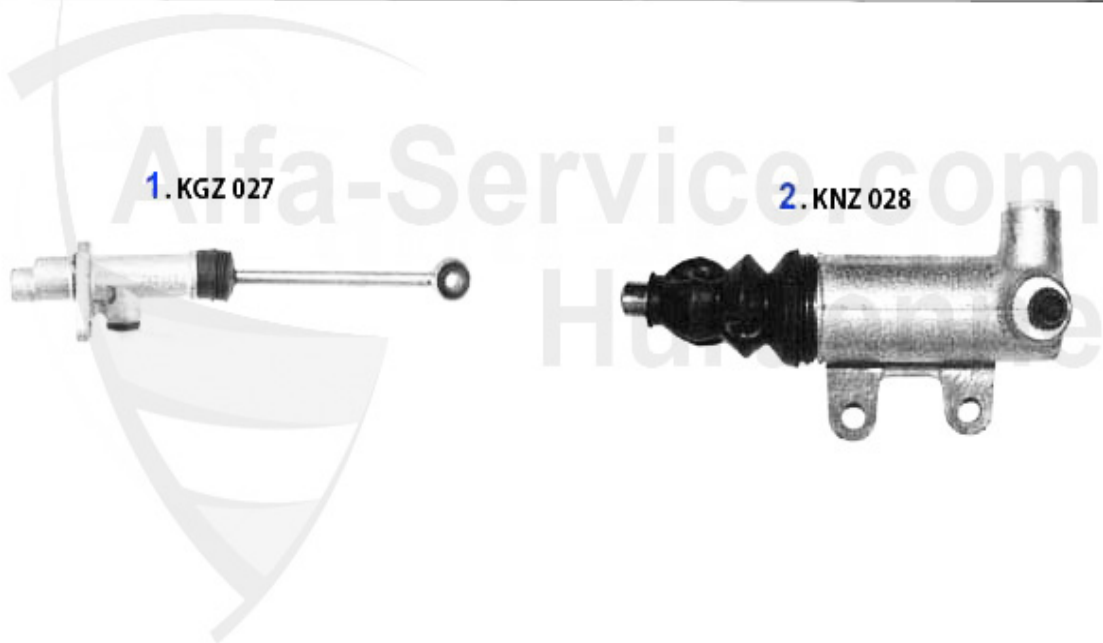
---



1	KGZ027	OE.60814827,CLUTCH MASTER CYLINDER 145/6,155,GTV/SPIDER(916)	89.00 EUR
2	KNZ028	OE. 60801577 CLUTCH SLAVE CYLINDER	51.50 EUR
2	KNZ008	OE. 60502665 CLUTCH SLAVE CYLINDER	59.00 EUR

Kupplungsbetätigung/Clutch Actuation gtv/spider (916) 3.0 V6 12V

---

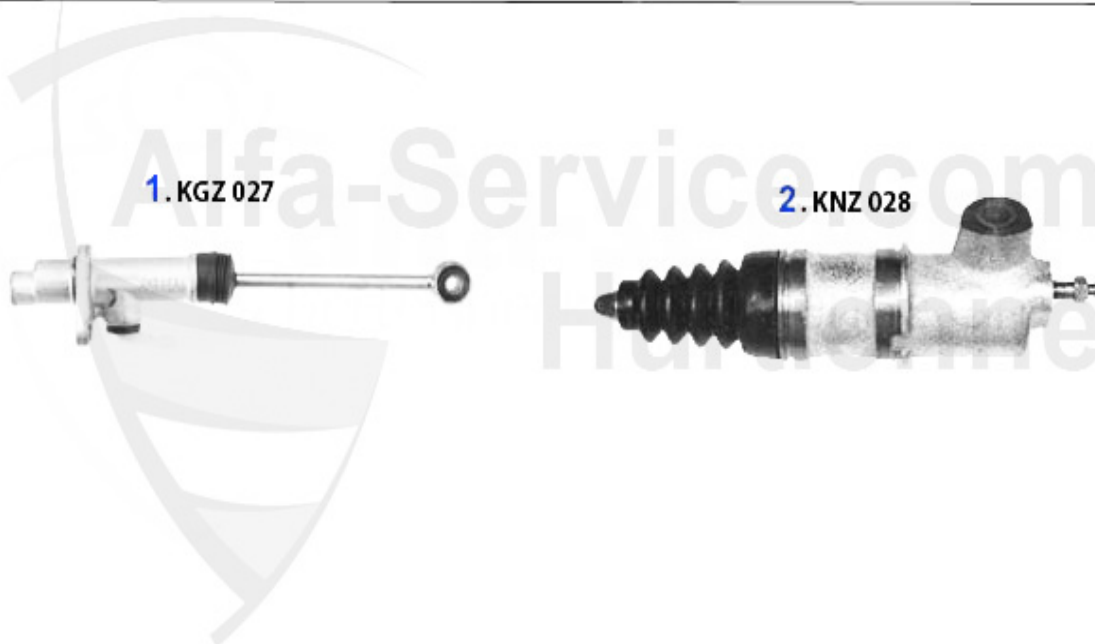


1	KGZ027	OE.60814827,CLUTCH MASTER CYLINDER 145/6,155,GTV/SPIDER(916)	89.00 EUR
2	KNZ028	OE. 60801577 CLUTCH SLAVE CYLINDER	51.50 EUR
2	KNZ008	OE. 60502665 CLUTCH SLAVE CYLINDER	59.00 EUR



Kupplungsbetätigung/Clutch Actuation gtv/spider (916) 3.0 V6 24V

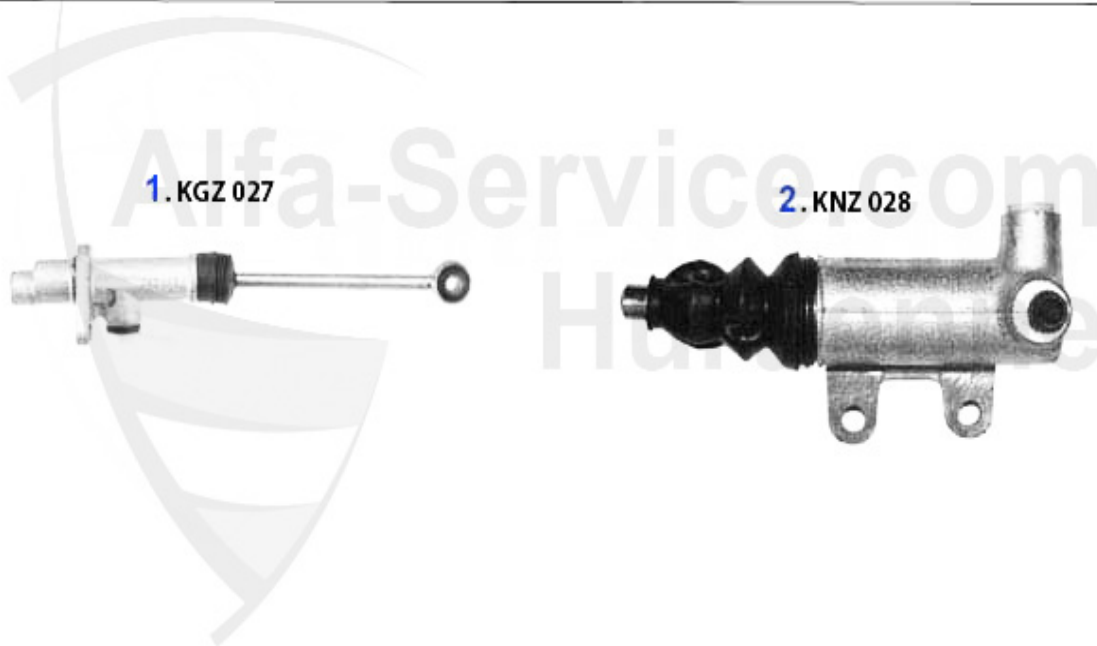
---



1	KGZ027	OE.60814827,CLUTCH MASTER CYLINDER 145/6,155,GTV/SPIDER(916)	89.00 EUR
2	KNZ028	OE. 60801577 CLUTCH SLAVE CYLINDER	51.50 EUR
2	KNZ008	OE. 60502665 CLUTCH SLAVE CYLINDER	59.00 EUR

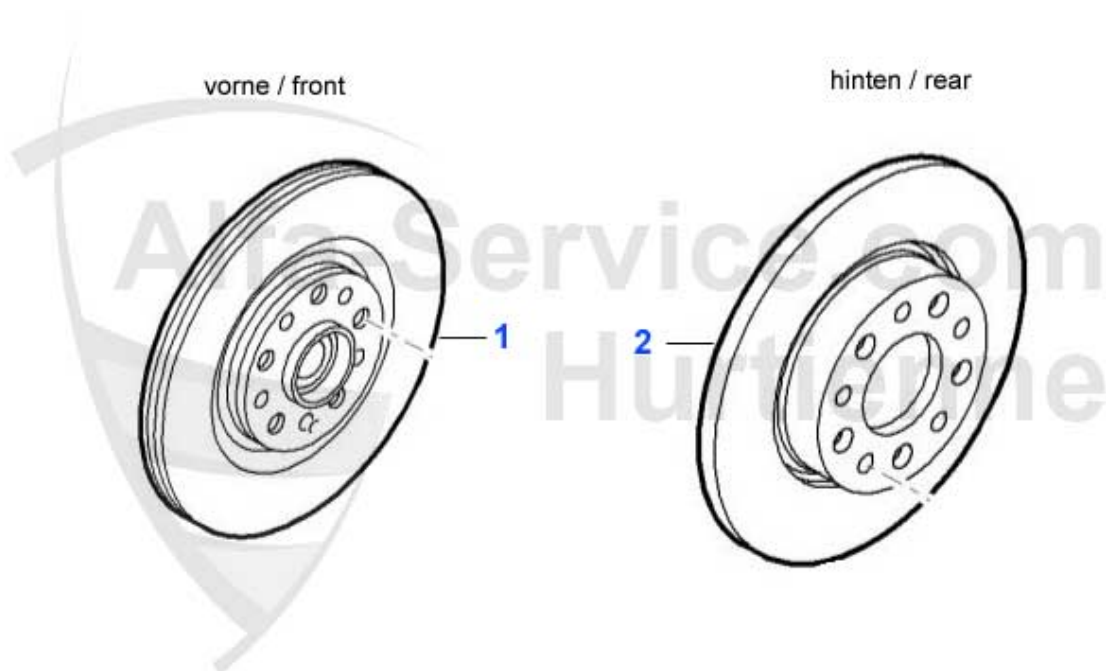
Kupplungsbetätigung/Clutch Actuation gtv/spider (916) 3.2 V6 24V

---



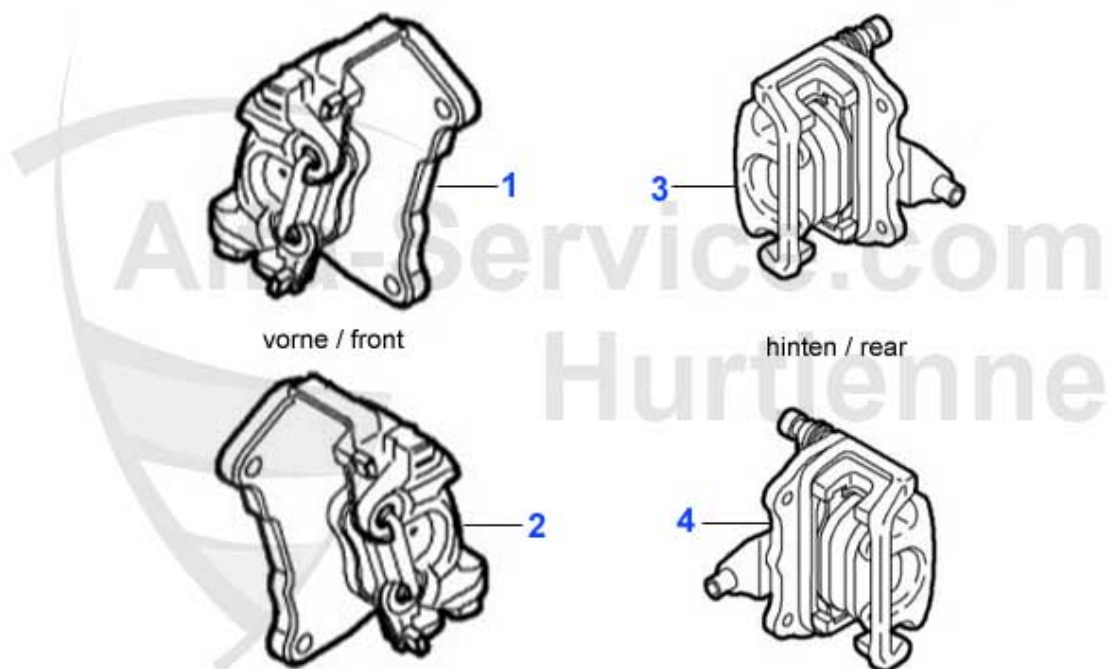
1	KGZ027	OE.60814827,CLUTCH MASTER CYLINDER 145/6,155,GTV/SPIDER(916)	89.00 EUR
2	KNZ028	OE. 60801577 CLUTCH SLAVE CYLINDER	51.50 EUR
2	KNZ008	OE. 60502665 CLUTCH SLAVE CYLINDER	59.00 EUR

## Brera/Spider (939) > BRAKE > BRAKE DISKS



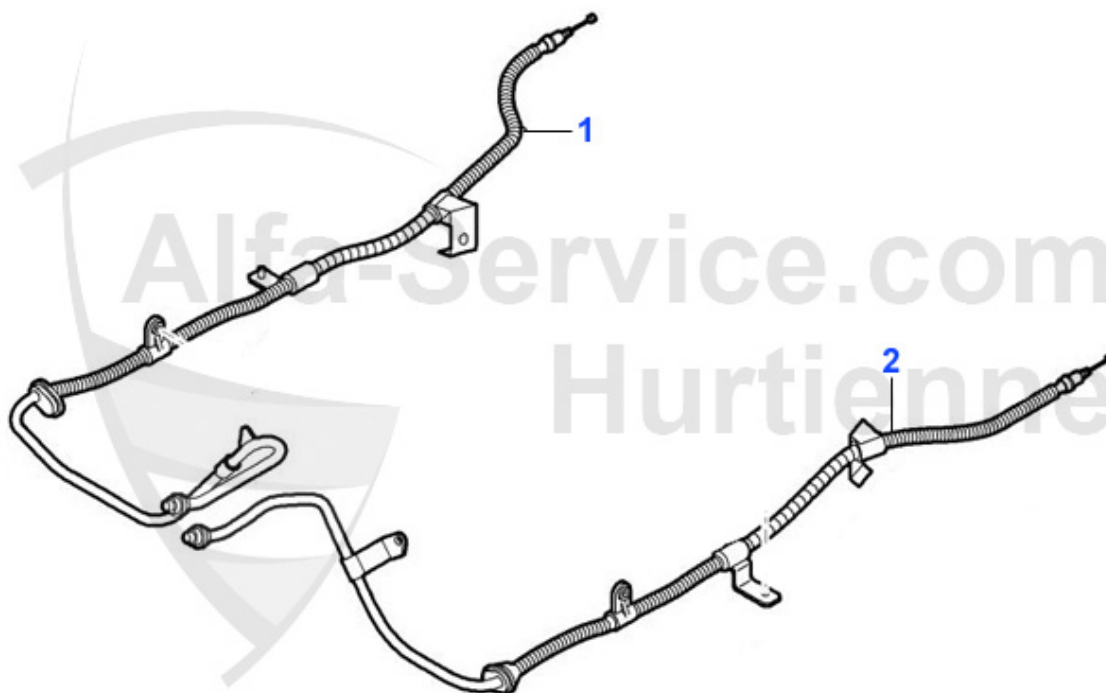
<b>1</b>	<b>BS60621</b>	<b>FRONT BRAKE DISC 156 2,2 JTS 05-08 Brera &gt;05/Spider &gt;06</b>	<b>93.00 EUR</b>
<b>2</b>	<b>BS60273</b>	<b>REAR BRAKE DISC 159 2,2JTS (05-08) BRERA 05&gt;/SPIDER 06&gt;</b>	<b>100.00 EUR</b>

## Brera/Spider (939) > BRAKE > CALIPERS



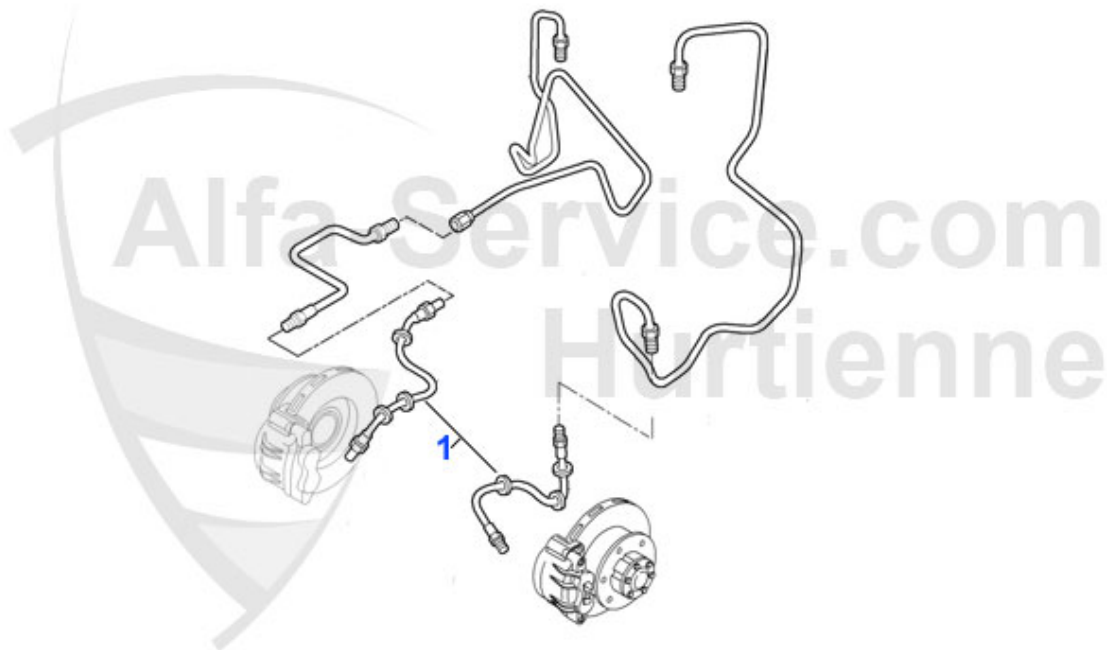
1	BZ416380	BRAKE CALIPER FR ALFA 159 (05-08) 1,8/1,9JTS/2,2JTS/BRERA 05>/SPIDER 06>/	***
2	BZ416379	BRAKE CALIPER FL ALFA 159 (05-08) 1,8/1,9JTS/2,2JTS/BRERA 05>/SPIDER 06>	***
3	BZ3652	Bremssattel hinten rechts 159,Brera Spider (05-09) 1,8TBi/2,4JTDM/3,2JTS/3,2JTS Q4/2,4JTDM Q4	82.24 EUR
4	BZ3651	Bremssattel hinten links 159,Brera, Spider (05-09) 1,8TBi/2,4JTDM/3,2JTS/3,2JTS Q4/2,4JTDM Q4/	82.24 EUR

## Brera/Spider (939) > BRAKE > BRAKE CABLE



1	HS5484	HANDBRAKE CABLE RIGHT BRERA 05-10 SPIDER 06-10	52.50 EUR
2	HS5483	HANDBRAKE CABLE LEFT BRERA 05-10 SPIDER 06-10	52.50 EUR

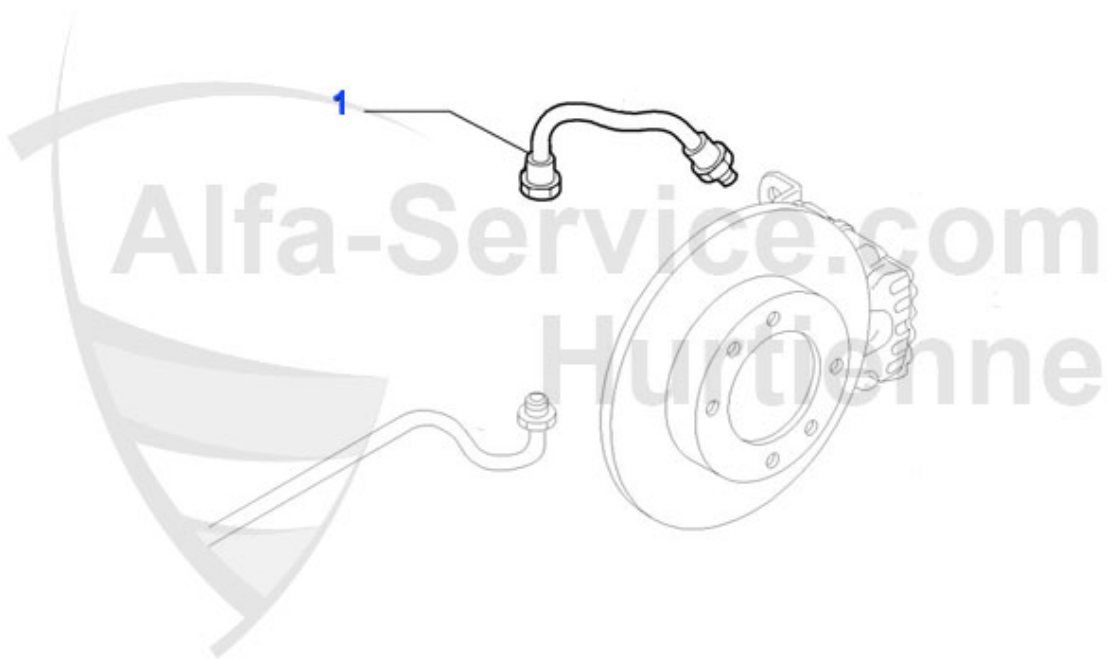
Brera/Spider (939) > BRAKE > BRAKE HOSE FRONT



1 BS511700 Bremsschlauch vorne 159 (05-08) 1,9BZ/1,9TD/2,2BZ Brera/Spider 2,2BZ (05-08)

22.00 EUR

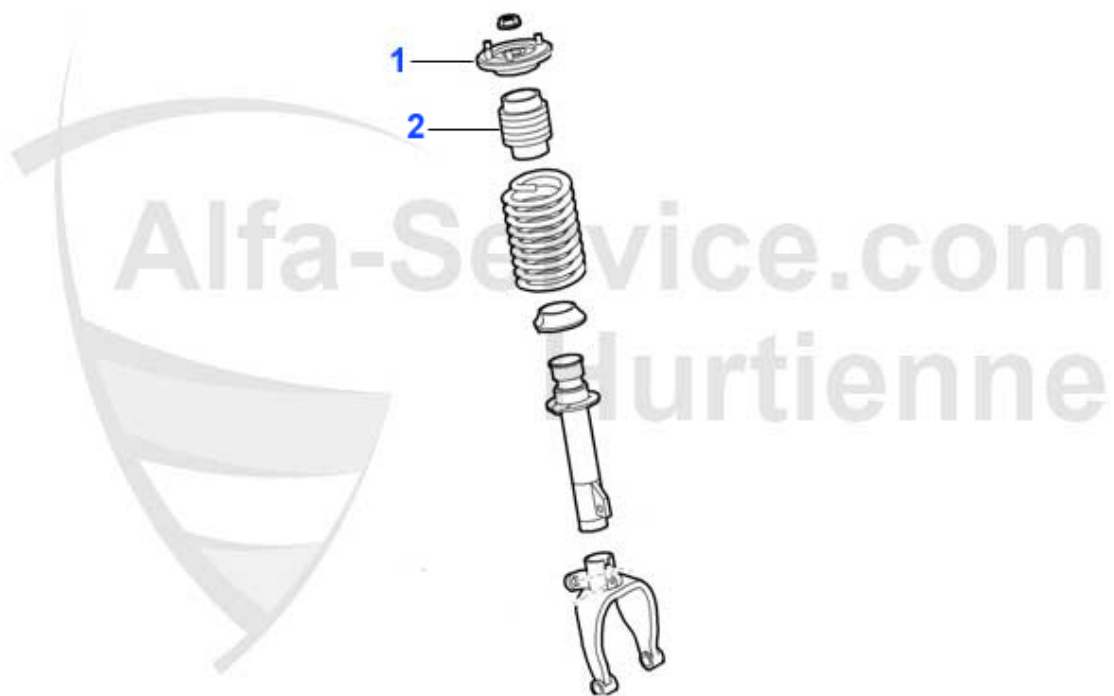
Brera/Spider (939) > BRAKE > BRAKE HOSE REAR



1 BS511710 Bremsschlauch hinten 159 1,9BZ/1,9TD/2,2BZ (05-10) Brera/Spider  
(05-10)

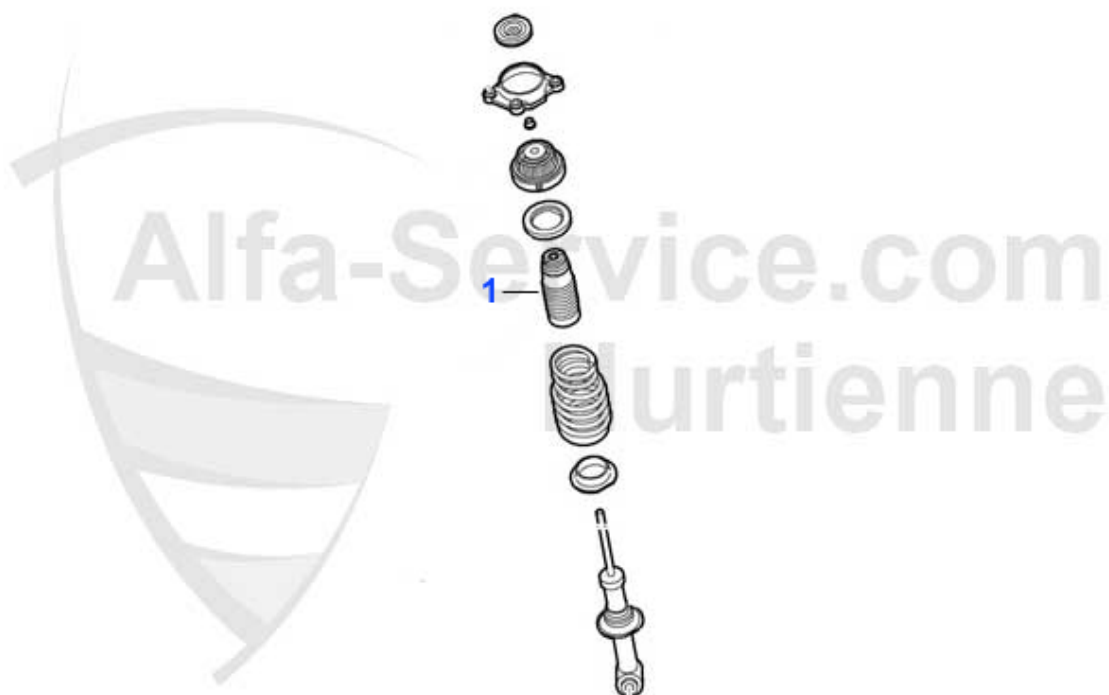
21.00 EUR

## Brera/Spider (939) > SUSPENSION > STRUT FRONT



1	FBL07110	ELASTIC PAD AR159/BRERA/SPIDER 06< (LEFT AND RIGHT ARE THE SAME)	40.96 EUR
2	SK07987	DUST CAP FRONT SPRING STRUT AR 159, BRERA,SPIDER 05-10	24.89 EUR

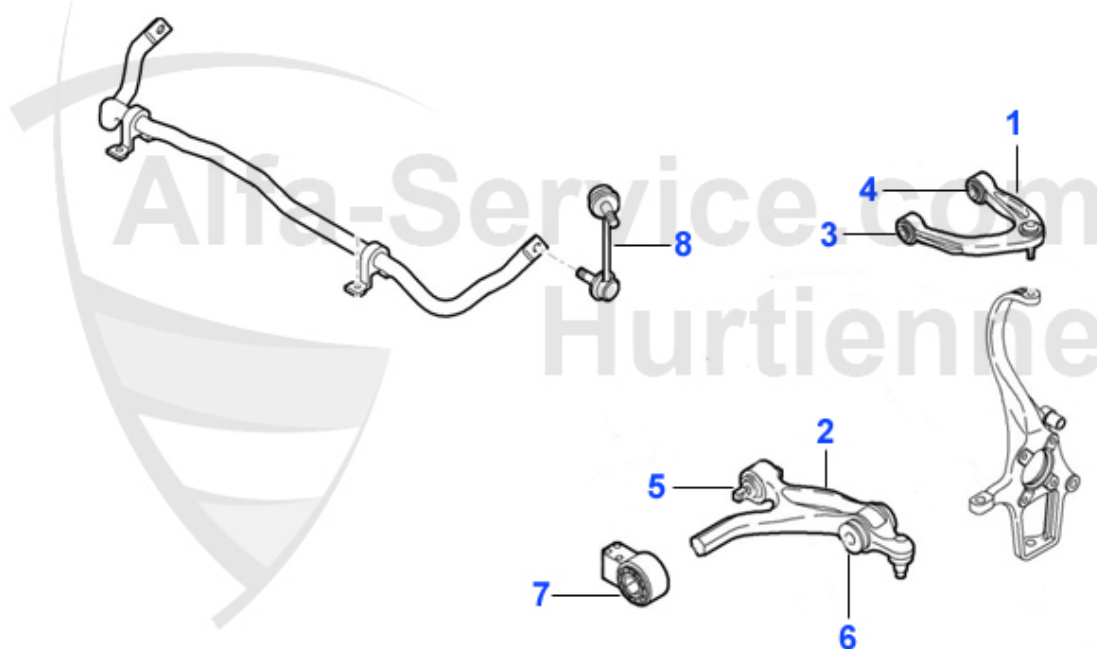




1 SK04752 REAR DUST CAP AR159,BRERA,SPIDER 05-10 (SPING STRUT)

38.00 EUR

## Brera/Spider (939) > SUSPENSION > ATTACHMENT FRONT



1	QL040	CONTROL ARM 159 FRONT UPPER LEFT (BRERA, SPIDER STARTING FROM 2009)	***
1	QL039	CONTROL ARM FRONT UPPER RIGHT 159 (05-08),Brera 05-10,Spider 06-10	135.01 EUR
1	QL038	CONTROL ARM FRONT UPPER LEFT 159,Brera 05-10,Spider 06-10	89.00 EUR
1	QL041	CONTROL ARM 159 FRONT UPPER RIGHT (BRERA,SPIDER STARTING FROM 2009)	***
2	QL029	LOWER SUSPENSION ARM LEFT 159,BRERA AND SPIDER 06-10	149.00 EUR
2	QL030	RIGHT LOWER ARM 159,BRERA AND SPIDER 06-10	149.00 EUR
3	AB40801	Silentbuchse oberer Querlenker VA vorne AR 159, Brera+Spider (05-10)	***
4	AB40802	Silentbuchse oberer Querlenker VA hinten AR 159, Brera+Spider (05-10)	***
5	AB40803	Silentbuchse unterer Querlenker VA am Rahmen hinten AR 159,Brera, Spider 06-10	***
6	AB40804	Silentbuchse Querlenker unten VA Aufnahme Federbein AR 159, Brera, Spider 06-10	***
7	QL1909	LOWER ARM FIXING BUSHING ON THE FRAME 159,BRERA 05-10 SPIDER 06-10 (RIGHT SIDE)	89.00 EUR
7	QL1908	LOWER ARM FIXING BUSHING ON THE FRAME 159 05-10 SPIDER 06-10 (LEFT SIDE)	89.00 EUR
8	SS1508	Pendelstütze VA rechts AR 159 Brera (05-10) Spider (06-10)	30.00 EUR
8	SS1509	Pendelstütze VA links AR 159 Brera (05-10) Spider (06-10)	30.00 EUR

## Radlager/Wheel Bearing gtv/spider (916) - 4 Cyl.

vorne/front:



hinten/rear:



1	RL9051	WHEEL BEARING SET FRONT SPIDER/GTV (916) 145/6,155	59.00 EUR
2	RL15843	FRONT WHEEL BEARING 145/6 99> WITH ABS, GTV/SPIDER (916) #6063042	84.00 EUR
3	RN66910	OE. 82466910 WHEEL HUB FA 916,147	58.99 EUR
4	RN16023	WHEEL HUB SPIDER/GTV 916	99.00 EUR
5	RN6090	REAR WHEEL HUB GTV/SPIDER (916) 4.00> # 6063041 >	***

## Radlager/Wheel Bearing gtv/spider (916) - 6 Cyl.

vorne/front:



hinten/rear:



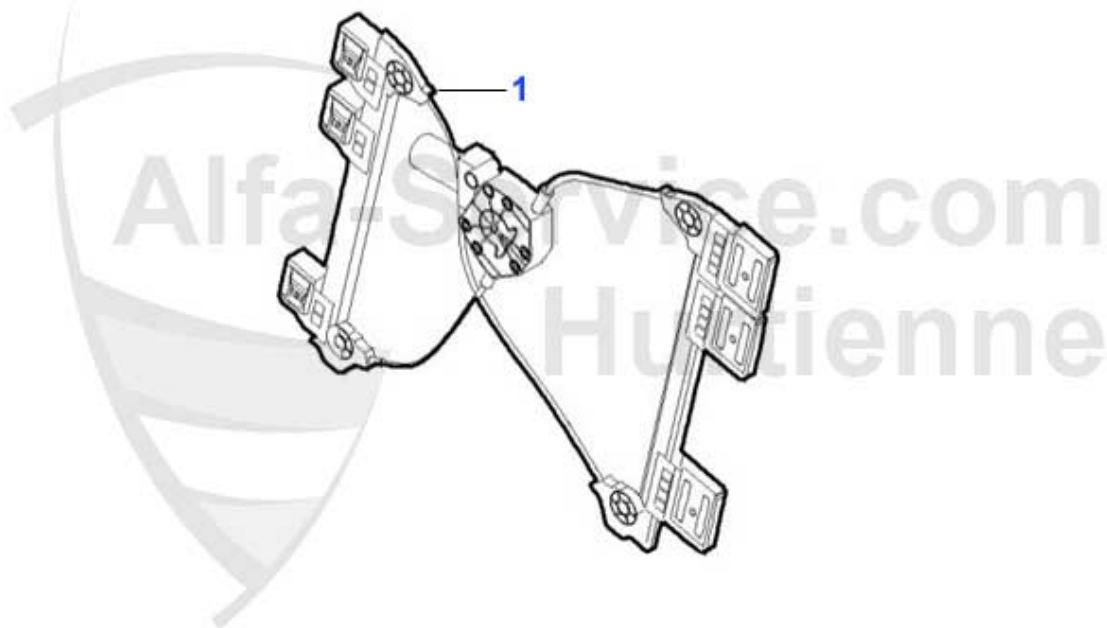
1	RL9054	Radlagersatz VA 155 2.0 16V Turbo, 164/Super 2.0 TS # 0014992 >, 2.0 V6 turbo,3.0 V6/24V/QV,145/6 1.9 JTD (ohne ABS), gtv/spider (916) V6/24V	85.00 EUR
2	RL15843	FRONT WHEEL BEARING 145/6 99> WITH ABS, GTV/SPIDER (916) #6063042	84.00 EUR
3	RN3000	Radnabe vorne 156,gtv/spider (916)	74.99 EUR
4	RN10369	OE. 60510369 HUB 147,156,gtv/spider (916),Nuovo GT V6 24V/GTA	122.08 EUR
5	RN16023	WHEEL HUB SPIDER/GTV 916	99.00 EUR
6	RN6090	REAR WHEEL HUB GTV/SPIDER (916) 4.00> # 6063041 >	***

## Brera/Spider (939) > STEERING > STEERING PARTS



1	AG1305	Axialgelenk AR159,Brera,Spider	***
2	SSK63706	TRACK ROD END LEFT AR159 (05-08) BRERA (05-10) SPIDER (06-10)	22.40 EUR
3	SSK63707	TRACK ROD END AR159 (05-08) BRERA (05-10) SPIDER (06-08)	22.40 EUR
4	LMS63705	STEERING SLEEVE 159(05-08),BRERA 05<, SPIDER 06<	19.00 EUR

## Brera/Spider (939) > ELECTRIC > WINDOW POWER LIFTER



1	FH09767	Fensterheber kompl. rechts Brera (05-10) Spider (06-10)	279.00 EUR
1	FH09768	Fensterheber kompl. links Brera (05-10) Spider (06-10)	279.00 EUR



---

<b>1</b>	<b>ZI03759</b>	<b>Konsole mit Zusatzinstrumenten (Tank, Uhr, Wassertemperatur) gtv/spider (916) Bj. &gt;98</b>	<b>344.99 EUR</b>
----------	----------------	---	-------------------

## Brera/Spider (939) > ELECTRIC > SWITCHES



---

1 SCH02654 OE. 60602654 SWITCH f. TANK LID gtv/ spider (916)

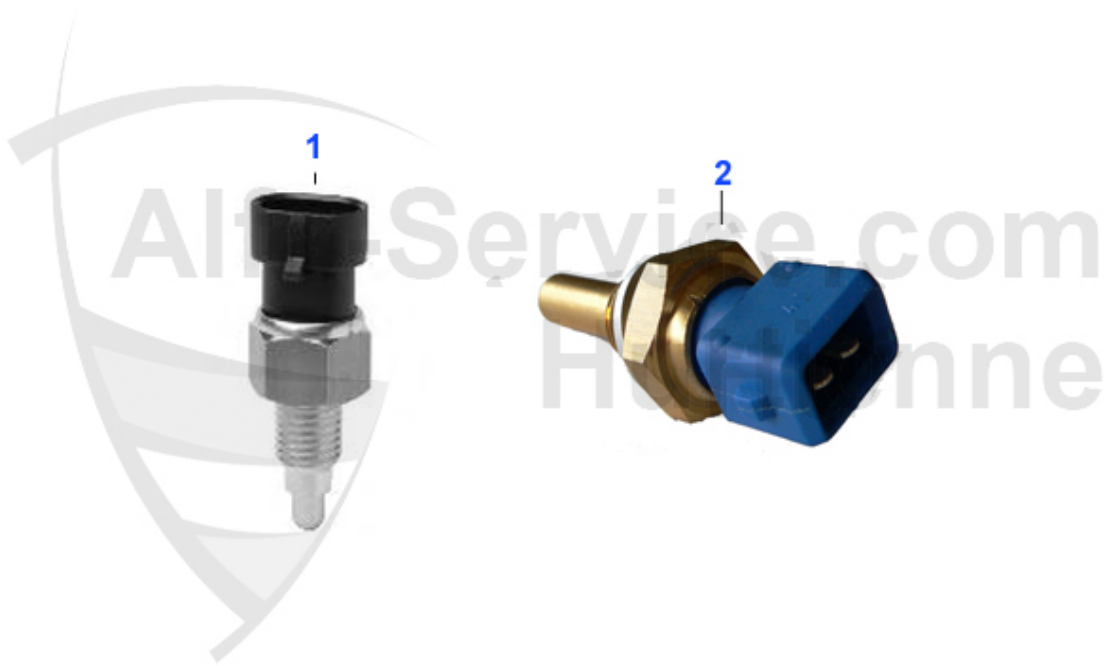
\*\*\*



## Brera/Spider (939) > ELECTRIC > FUSE

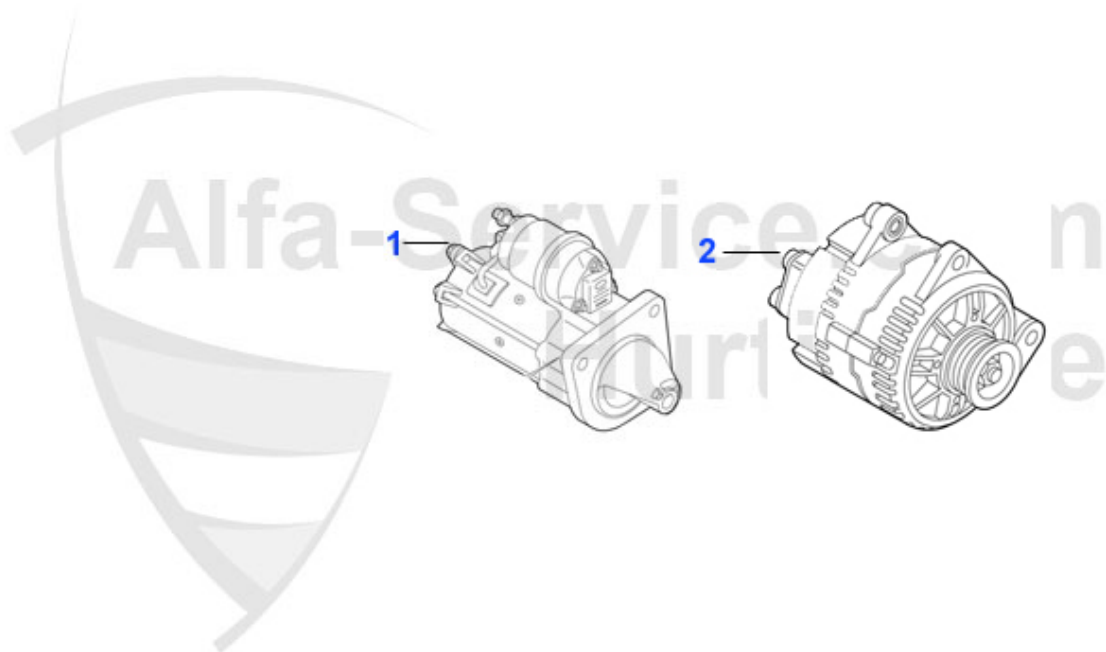


1	FSI075	Flachsteck-Sicherung 7,5 A	0.20 EUR
2	FSI010	Flachsteck-Sicherung 10 A	0.20 EUR
3	FSI020	Flachsteck-Sicherung 20 A	0.20 EUR
4	FSI025	Flachsteck-Sicherung 25 A	0.20 EUR
5	FSI030	Flachsteck-Sicherung 30 A	0.20 EUR ***



<b>1</b>	<b>RFS9099</b>	<b>REVERSING LIGHT SWITCH 159,BRERA,SPIDER, MITO</b>	<b>9.90 EUR</b>
<b>2</b>	<b>WTG60145</b>	<b>TEMPERATUR SENSOR 33(905/7),75,155,164 164 /Super,Spider 115,RZ/SZ, Spider/GTV (916)</b>	<b>13.99 EUR</b>

## Brera/Spider (939) > ELECTRIC > ENGINE ELECTRIC > AGGREGATS



1	AN82321	STARTER AR 159 1,9 JTD 05-08	250.00 EUR
1	AN82340	Anlasser 159, Brera, Spider (05-10) 3,2 V6 AT-Teil mit Pfand	275.00 EUR
1	AN82330	Anlasser 159, Brera, Spider (05-10) 3,2 V6 Neuteil ohne Pfand	650.16 EUR
1	AN82322	Anlasser 159 1,9JTD (05-08) MITO (08-11) GT (03-10) AT-Teil mit Pfand	250.00 EUR
1	AN83906	Anlasser AR 159 2.2JTS + 1,9JTS auch Brera + Spider 05-10 AT-Teil mit Pfand	249.00 EUR
2	LI4290	Lichtmaschine 159,Brera, Spider 05-10 1,9JTS Neuteil kein Pfand	428.00 EUR
2	LI4260	Lichtmaschine 159, Brera, Spider, 2,2JTS (Neuteil kein Pfand)	420.00 EUR
2	LI4390	Lichtmaschine 159, Brera, Spider (05-10) 2,4JTD 20V AT-Teil mit Pfand	310.00 EUR
2	LI4370	ALTERNATOR 159,BRERA,SPIDER (05-10), MITO FROM 2011, NEW PART	410.00 EUR
2	LI4360	Lichtmaschine 159, Brera, Spider (05-10) MITO ab 2011 1,9 JTD 8V AT-Teil m. Pfand	290.00 EUR
2	LI4350	ALTERNATOR 159,BRERA,SPIDER (05-10), MITO FROM 2011 1.9 JTD 8V, NEW PART	410.00 EUR
2	LI4280	Lichtmaschine 159, Brera, Spider, 2,2JTS (AT-Teil m. Pfand)	258.00 EUR
2	LI4320	Lichtmaschine 159, Brera, Spider (05-10) 3,2 V6 AT-Teil mit Pfand	369.99 EUR
2	LI4310	Lichtmaschine 159, Brera, Spider(05-10) 3,2 V6 Neuteil kein Pfand	600.00 EUR
2	LI4300	Lichtmaschine 159, Brera, Spider 05-10 1,9JTS AT-Teil mit Pfand!	258.00 EUR
2	LI4340	Lichtmaschine 159 1,8 16V (05-10) AT-Teil mit Pfand	300.00 EUR

Brera/Spider (939) > INTERIOR PARTS > CAR MAT



- 1 FMS 939 FLOOR MAT SET SPIDER 2006> BLACK/RED LOGO, TUFTVELOURS, LOOPED, REAR COATING: LATEX FINE EMBOSSED WITH ORIGINAL FASTENING

73.49 EUR