

Alfa Romeo Brera/Spider (939)

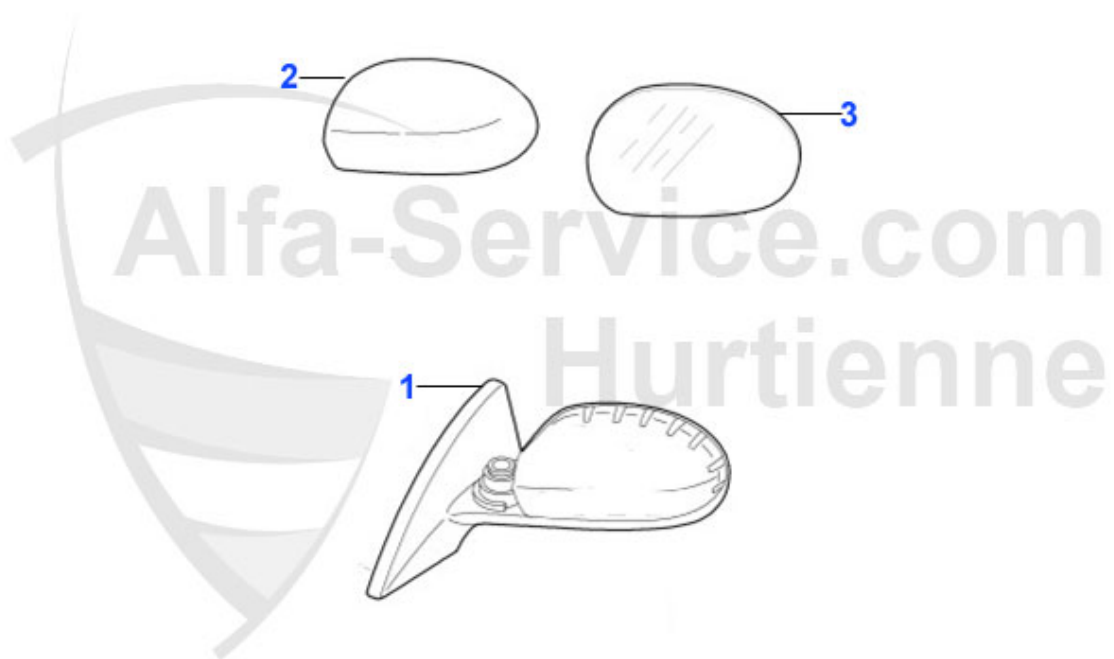
| | |
|---------------------------------|----|
| Brera/Spider (939) | 6 |
| carrocería | 6 |
| retrovisores exteriores..... | 6 |
| alumbrado | 7 |
| alumbrado | 8 |
| piezas carrocería | 9 |
| muellas a gas..... | 10 |
| motor..... | 11 |
| el sistema aéreo..... | 11 |
| correas..... | 12 |
| 1.8/2.0 TS | 12 |
| 2.0 JTS..... | 13 |
| 2.0 V6 Turbo..... | 14 |
| 3.0 V6 | 15 |
| 3.0/3.2 V6 24V | 16 |
| bloque motor..... | 17 |
| Camisas + Pistones | 17 |
| 1.8 TS 16V..... | 17 |
| 3.0 V6 12V | 18 |
| el cárter | 19 |
| circuito carburante | 20 |
| 1.8/2.0 TS | 20 |
| bomba carburante | 20 |
| 2.0 JTS | 21 |
| bomba carburante | 21 |
| 2.0 V6 Turbo..... | 22 |
| bomba carburante | 22 |
| 3.0 V6 | 23 |
| bomba carburante | 23 |
| 3.0/3.2 V6 24V | 24 |
| bomba carburante | 24 |
| juntas motor | 25 |
| 1.8/2.0 TS | 25 |
| juntas motor..... | 25 |
| kit juntas motor..... | 26 |
| kit juntas motor..... | 27 |
| lote de esparragos culata..... | 28 |
| 2.0 JTS..... | 29 |
| juntas motor..... | 29 |
| kit juntas motor..... | 30 |
| 2.0 V6 Turbo..... | 31 |
| juntas motor..... | 31 |
| kit juntas motor..... | 32 |
| kit juntas motor..... | 33 |
| 3.0 V6 | 34 |
| juntas motor..... | 34 |
| kit juntas motor..... | 35 |

| | |
|--------------------------------|----|
| kit juntas motor..... | 36 |
| 3.0/3.2 V6 24V | 37 |
| juntas motor..... | 37 |
| kit juntas motor..... | 38 |
| kit juntas motor..... | 39 |
| lote de esparragos culata..... | 40 |
| circuito agua | 41 |
| 1.8/2.0 TS | 41 |
| radiador agua | 41 |
| termostato | 42 |
| bomba agua..... | 43 |
| vaso de expansion..... | 44 |
| 2.0 JTS | 45 |
| radiador agua | 45 |
| Mangueras agua..... | 46 |
| termostato | 47 |
| bomba agua..... | 48 |
| vaso de expansion..... | 49 |
| 2.0 V6 Turbo..... | 50 |
| radiador agua | 50 |
| termostato | 51 |
| bomba agua..... | 52 |
| vaso de expansion..... | 53 |
| 3.0 V6 | 54 |
| radiador agua | 54 |
| termostato | 55 |
| bomba agua..... | 56 |
| vaso de expansion..... | 57 |
| 3.0/3.2 V6 24V | 58 |
| radiador agua | 58 |
| termostato | 59 |
| bomba agua..... | 60 |
| vaso de expansion..... | 61 |
| soportes motor | 62 |
| 2.2 JTS 16V | 62 |
| 1.8/2.0 TS | 63 |
| 2.0 JTS..... | 64 |
| 2.0 V6 Turbo..... | 65 |
| 3.0 V6 | 66 |
| 3.0/3.2 V6 24V | 67 |
| distribución | 68 |
| 3.2 JTS..... | 68 |
| Cadena de distribucion | 68 |
| arboles de levas..... | 69 |
| 2.2 JTS..... | 70 |
| arboles de levas..... | 70 |
| filtros..... | 71 |
| 1.8/2.0/2.2 TS | 71 |
| 2.0 JTS | 72 |
| 2.0 V6 Turbo..... | 73 |

| | |
|--|-----|
| 3.0 V6 | 74 |
| 3.0/3.2 V6 24V | 75 |
| escape..... | 76 |
| escape..... | 76 |
| 1.8/2.0 TS | 76 |
| 2.0 JTS | 77 |
| 2.0 V6 Turbo..... | 78 |
| 3.0 V6 12V | 79 |
| 3.0 V6 24V | 80 |
| 3.2 V6 24V/GTA | 81 |
| sonda Lambda..... | 82 |
| 1.8/2.0 TS | 82 |
| 2.0 JTS | 83 |
| 2.0 V6 Turbo..... | 84 |
| 3.0 V6 12V | 85 |
| 3.0 V6 24V | 86 |
| 3.2 V6 24V/GTA | 87 |
| transmision..... | 88 |
| eje transmisión..... | 88 |
| 2.4 JTD | 88 |
| embrague | 89 |
| kit embrague 1.8/2.0 TS | 89 |
| guia cojinete de empuje 1.8/2.0 TS | 90 |
| kit embrague 2.0 JTS | 91 |
| guia cojinete de empuje 2.0 JTS | 92 |
| kit embrague 2.0 V6 Turbo..... | 93 |
| guia cojinete de empuje 2.0 V6 Turbo | 94 |
| kit embrague 3.0 V6 12V | 95 |
| guia cojinete de empuje 3.0 V6 | 96 |
| kit embrague 3.0 V6 24V | 97 |
| guia cojinete de empuje 3.0 V6 | 98 |
| kit embrague 3.2 V6 24V | 99 |
| guia cojinete de empuje 3.2 V6 24V | 100 |
| mando embrague..... | 101 |
| 1.8/2.0 TS | 101 |
| 2.0 JTS | 102 |
| 2.0 V6 Turbo..... | 103 |
| 3.0 V6 12V | 104 |
| 3.0 V6 24V | 105 |
| 3.2 V6 24V/GT | 106 |
| frenado | 107 |
| discos de freno | 107 |
| pinzas | 108 |
| cable de freno de mano..... | 109 |
| | 110 |
| | 111 |
| suspension..... | 112 |
| amortiguadores vorne | 112 |
| amortiguadores hinten | 113 |
| suspension delantera..... | 114 |

| | |
|--------------------------------------|-----|
| rodamientos de rueda 4-Zylinder..... | 115 |
| rodamientos de rueda 6-Zylinder..... | 116 |
| direccion | 117 |
| piezas dirección | 117 |
| electricidad..... | 118 |
| alzacristales..... | 118 |
| instrumentos..... | 119 |
| conectador..... | 120 |
| fusible | 121 |
| electricidad motor | 122 |
| sensor..... | 122 |
| alternador/motor de arranque..... | 123 |
| acabado interior | 124 |
| alfombrilla | 124 |

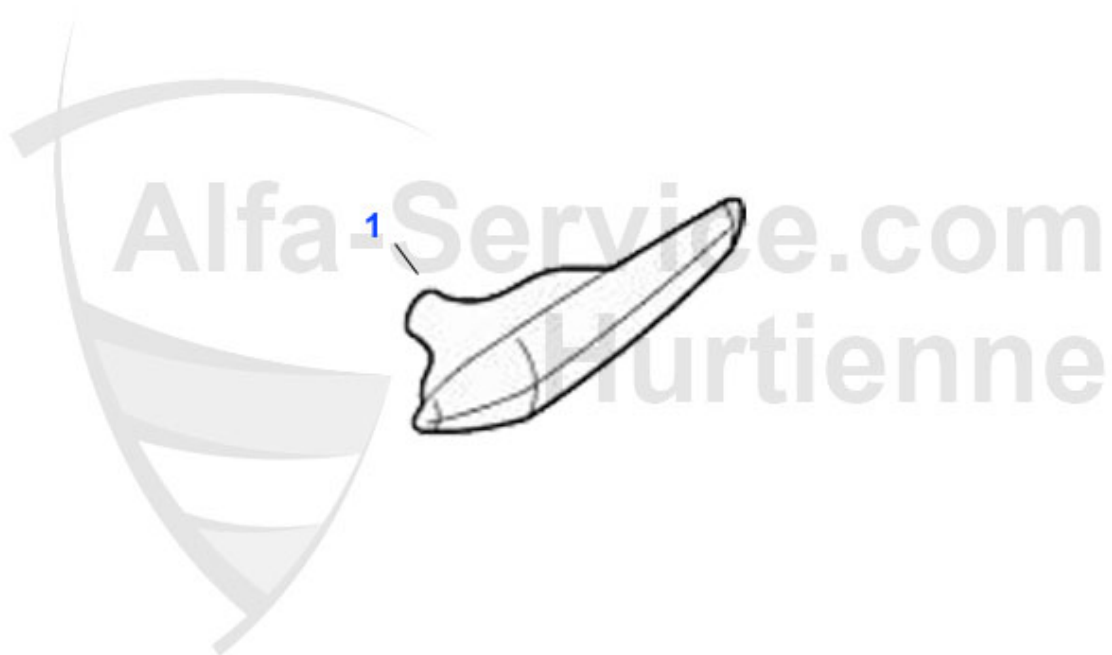
Brera/Spider (939) > carroceria > retrovisores exteriores



3 ASP48264 Spigelglas links Brera, Spider 06-10

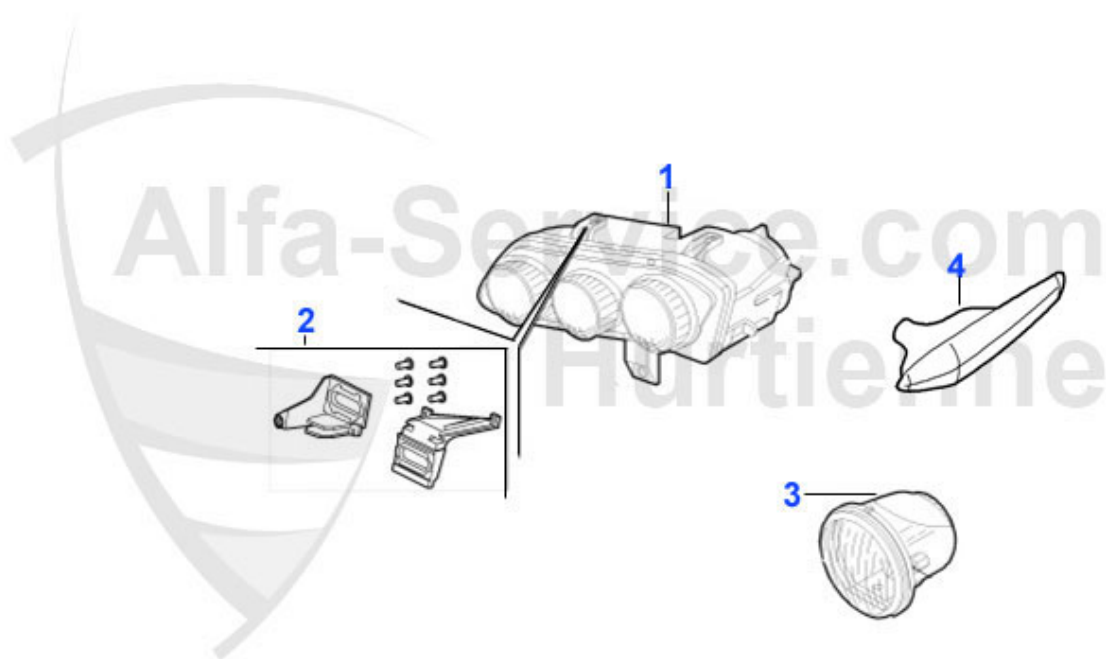
64.00 EUR

Brera/Spider (939) > carroceria > alumbrado



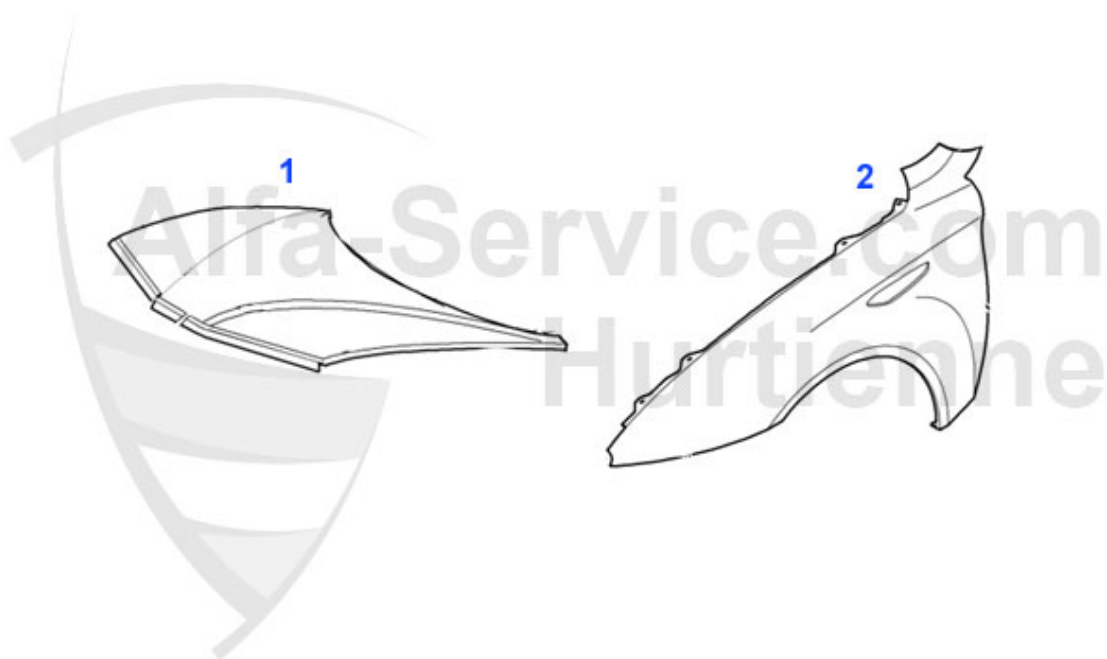
| | | | |
|---|----------|---------------------------------|-----------|
| 6 | ZBL91106 | indicador adicional 159 derecho | 23.50 EUR |
| 6 | ZBL91105 | indicador adicional 159 derecho | 29.00 EUR |

Brera/Spider (939) > carroceria > alumbrado



| | | | |
|---|----------|---|------------|
| 1 | SW83987 | faro XENON ALFA 159 derecho | 879.01 EUR |
| 1 | SW83988 | faro Xenon ALFA 159 izquierdo | 879.01 EUR |
| 1 | SW82088 | Hauptscheinwerfer H1 AR159 rechts Bj.05-08, Brera + Spider Bj.05> | 214.78 EUR |
| 1 | SW82089 | Hauptscheinwerfer H1 AR159 links Bj.05-08, Brera + Spider ab 05> | 214.78 EUR |
| 2 | BFK01080 | kit de fijación faro principal AR159 izq. | 13.61 EUR |
| 3 | NSW04508 | luz antiniebla 159, Brera >05, Spider >06 | 61.24 EUR |
| 4 | ZBL91106 | indicador adicional 159 derecho | 23.50 EUR |
| 4 | ZBL91105 | indicador adicional 159 derecho | 29.00 EUR |

Brera/Spider (939) > carroceria > piezas carroceria



| | | | |
|---|---------|-------------------------------|------------|
| 1 | MH88260 | capo del motor 159 | 386.77 EUR |
| 2 | KF88227 | guardabarros 159 del. izq. | 120.00 EUR |
| 2 | KF88211 | guardabarros 159 del. derecho | 120.00 EUR |

Brera/Spider (939) > carroceria > muellas a gas



| | | | |
|----------|----------------|--|------------------|
| 1 | GF88574 | Gasfeder Motorhaube 159,Brera ab05 Spider ab06 (250N) Länge 600mm | 45.10 EUR |
| 2 | GF4168 | Gasfeder Heckdeckel Spider 06-10 (380N) Länge 270mm | 40.00 EUR |

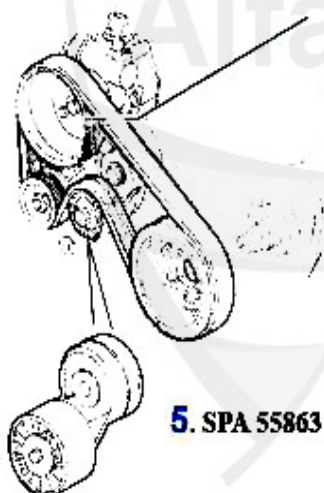
Brera/Spider (939) > motor > el sistema aéreo



| | | | |
|---|----------|--|------------|
| 1 | LR13829 | Leerlauf-Regler/Stellelement f. Drosselklappe 145/6, 156, 166, gtv/spider (916) 2.0 TS 16V | *** |
| 2 | LMS83896 | Luftmassenschlauch gtv/spider(916) V6 12V zwischen Luftmassen+Einspritzanl. | 60.00 EUR |
| 2 | LMS58050 | Luftmassenschlauch gtv/spider (916) 1.8/2.0 TS CF2/3 16V (95-06) mit Resonanzbox | *** |
| 3 | LMM16748 | Luftmassenmesser 164/Super, (916) gtv/spider 3.0 V6 12V | *** |
| 3 | LMM59804 | Luftmassenmesser 156,166,gtv/spider (916) 1.6/1.8/2.0 TS 16V/JTS/1.9/2.4 JTD | 59.00 EUR |
| 4 | LR37024 | Leerlauf-Regler 155,164,gtv/spider (916) Bosch | *** |
| 5 | LR66481 | Leerlauf-Regler Spider'90, 75/164 TS 8V/V6, gtv/spider (916) 2.0 V6 Turbo | 295.00 EUR |
| 6 | LMS58049 | Manguera aire Spider / GTV 98-06 1.8 / 2.0 TS | 46.90 EUR |

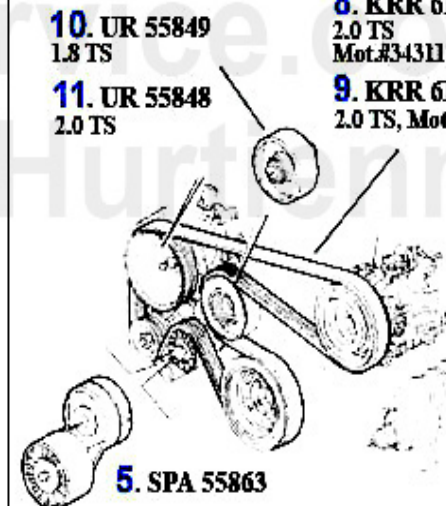
Keilriemen/V-Belt gtv/spider (916) TS 16V

ohne/without
Klimaanlage/AC:



- 1. KRR 6PK1045**
1.8 TS
- 2. KRR 7PK1083**
2.0 TS, >Mot.#1385143
- 3. KRR 6PK1082**
2.0 TS
Mot.#1385144-2835764
- 4. KRR 6PK1062**
2.0 TS, Mot.#2835765>

mit/with
Klimaanlage/AC:



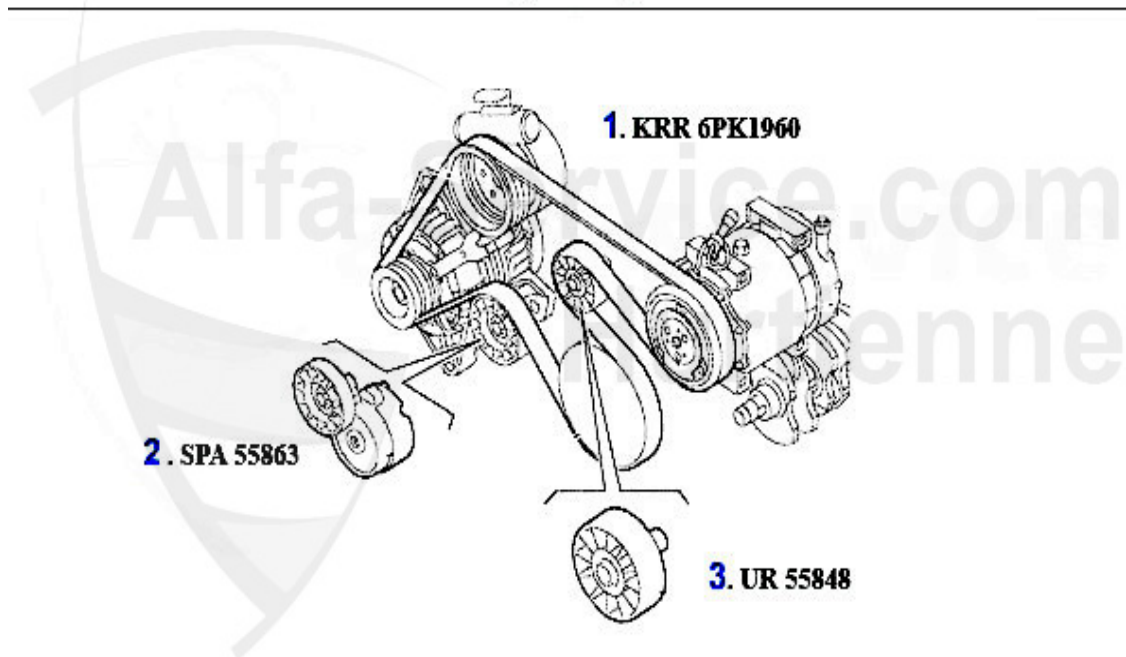
- 6. KRR 6PK1855**
1.8 TS
- 7. KRR 7PK1952**
2.0 TS, >Mot.#343116
- 8. KRR 6PK1975**
2.0 TS
Mot.#343117-2835764
- 9. KRR 6PK1960**
2.0 TS, Mot.#2835765>

5. SPA 55863

5. SPA 55863

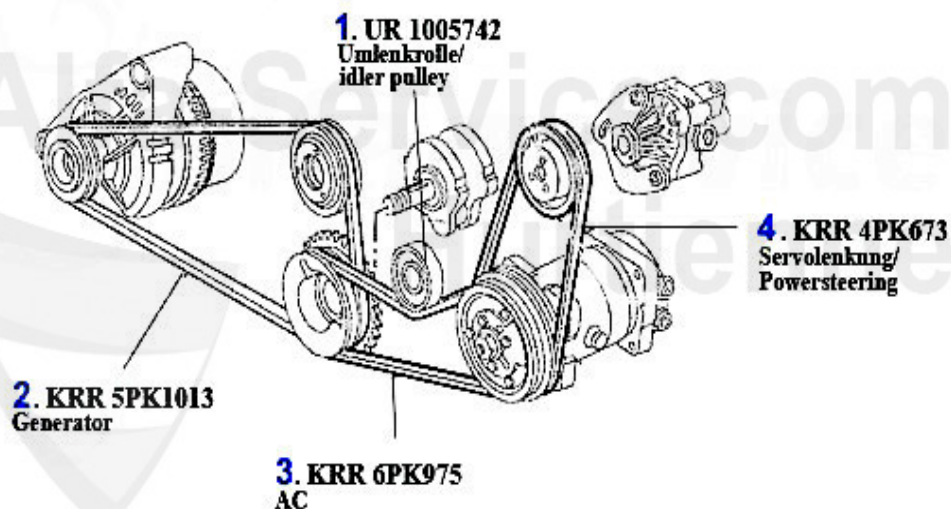
| | | | |
|-----------|-----------------------|---|------------------|
| 1 | KRR6PK104 5 | correa dentada 6PK1045 145/6 97>, 155,156,gtv&spider (916) 1.4/1.6/1.8/TS 16V (sin A/C) alternador/bomba DA | 20.00 EUR |
| 2 | KRR7PK108 3 | correa dentada 7PK1083 145/6, 155,156, 166, gtv/spider (916) -motor #1385143, bomba DA | 28.00 EUR |
| 3 | KRR6PK108 2 | correa dentada 6PK1082 145/6 2.0 TS 16V, 147 2.0 TS/JTS,156/166 2.0 TS gtv/spider (916) 98> 2.0 TS sin A/C, alternador/bomba DA | 25.00 EUR |
| 4 | KRR6PK106 2 | correa dentada 6PK1062 147,156 2.0 16V TS CF 3 (sin A/C) alternador/bomba DA | 22.50 EUR |
| 5 | SPA55863 | brazo tensor correa dentada 145/6/7, 155/6,166,916 varios 4 cil. | 44.49 EUR |
| 6 | KRR6PK185 5 | correa dentada 6PK1855 145/6 1.4/1.8 TS 16V,gtv/spider 1.8 16V TS 98> alternador/bomba DA/compresor clim | 28.50 EUR |
| 7 | KRR7PK195 2 | correa dentada 7PK1952 145/6,155, gtv/spider (916) 2.0 TS 16V a partir du motor #343116, alternador/bomba DA/ compresor clim | 52.50 EUR |
| 8 | KRR6PK197 5 | correa dentada 6PK1975 145/6147/156/166/ gtv/spider (916) CF3 2.0 TS 16V motor #1385143 alternador/bomba DA/ compresor clim | 35.50 EUR |
| 9 | KRR6PK196 0 | correa dentada 6PK1960 147,156,166, gtv/spider (916) 2.0 TS 16V CF3a partir de motor #2835764 alternador/bomba DA/ compresor clim | 40.00 EUR |
| 10 | UR55849 | rodillo correa dentada 145/6/7,155/6, gtv/spider (916) 1.4/1.6/1.8 TS (con A/C) | 34.00 EUR |
| 11 | UR55848 | rodillo correa dentada 145/6/7,155/6, gtv/spider (916) 2.0 TS/JTS (con A/C) | 55.00 EUR |

Keilriemen/V-Belt gtv/spider (916) 2.0 JTS



| | | | |
|----------|-------------------|---|------------------|
| 1 | KRR6PK1960 | | 40.00 EUR |
| | 0 | correa dentada 6PK1960 147,156,166, gtv/spider (916) 2.0 TS 16V CF3a partir de motor #2835764 alternador/bomba DA/ compresor clim | |
| 2 | SPA55863 | brazo tensor correa dentada 145/6/7, 155/6,166,916 varios 4 cil. | 44.49 EUR |
| 3 | UR55848 | rodillo correa dentada 145/6/7,155/6, gtv/spider (916 2.0 TS/JTS (con A/C) | 55.00 EUR |

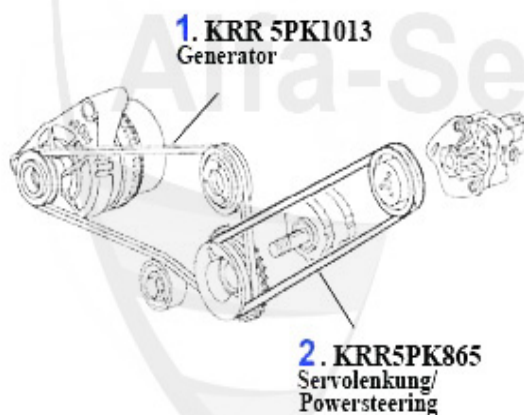
Keilriemen/V-Belt gtv/spider (916) 2.0 V6 Turbo



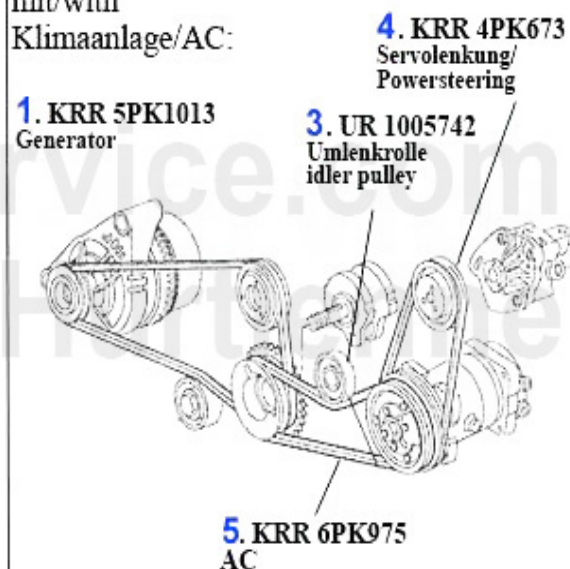
| | | |
|----------|--|-------------------|
| 1 | UR1005742 rodillo correa dentada 155,164 Super, gtv/Spider (916) | 175.00 EUR |
| 2 | KRR5PK1013 | 19.90 EUR |
| 3 | correa dentada 5PK1013 155 2.5 V6 10.92-12.97 spider/gtv (916)2.0 V6 Turbo/3.0 V6 alternador | |
| 3 | KRR6PK975correa dentada 6PK975 155 2.5 V6 gtv/spider (916) V6, compressor A/C | 26.50 EUR |

Keilriemen/V-Belt gtv/spider (916) 3.0 V6 12V

ohne/without
Klimaanlage/AC:

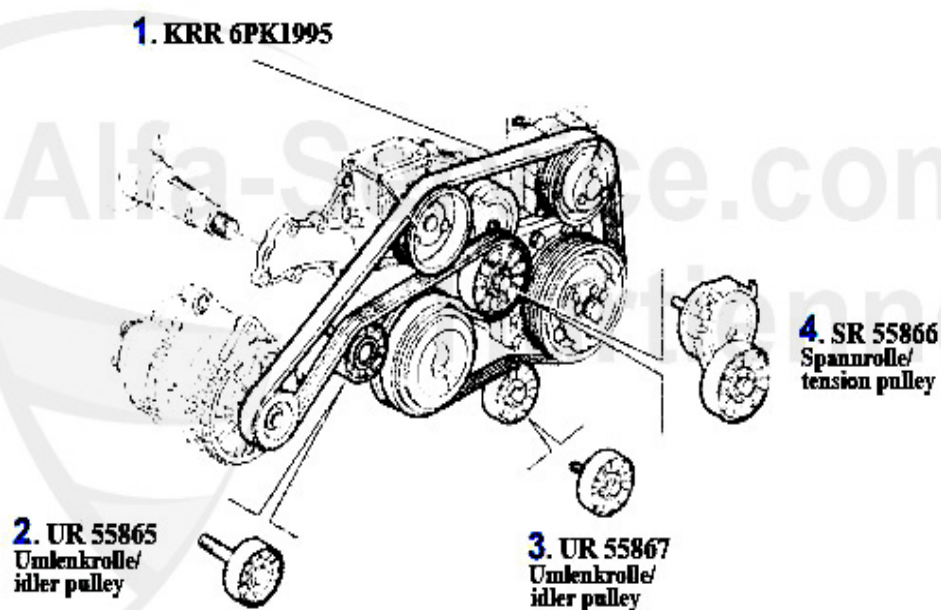


mit/with
Klimaanlage/AC:



| | | | |
|---|----------------|--|------------|
| 1 | KRR5PK101 3 | correa dentada 5PK1013 155 2.5 V6 10.92-12.97 spider/gtv (916)2.0 V6 Turbo/3.0 V6 alternador | 19.90 EUR |
| 2 | KRR5PK865 | correa dentada 5PK865 spider (916) 3.0 V6 bomba DA, 145/6 1.4/1.6ie > bomba aqua/alternador | 16.07 EUR |
| 3 | UR1005742 | rodillo correa dentada 155,164 Super, gtv/Spider (916) | 175.00 EUR |
| 5 | KRR6PK975 | correa dentada 6PK975 155 2.5 V6 gtv/spider (916) V6, compressor A/C | 26.50 EUR |

Keilriemen/V-Belt gtv/spider (916) 3.0/3.2 V6 24V



| | | | |
|----------|-----------------------|---|-------------------|
| 1 | KRR6PK199 5 | correa dentada 6PK1995 147,156,166, gtv/spider (916) Nuova GT alle V6 24V aussi GTA alternador/bomba DA/ compresor clim | 29.00 EUR |
| 2 | UR55865 | rodillo correa dentada 156,166, gtv/spider (916) V6 | 42.70 EUR |
| 3 | UR55867 | rodillo correa dentada 156,166, gtv/spider (916) V6 | 48.00 EUR |
| 4 | SR55866 | rodillo tensor 156,166 V6 24V/GTA | 149.00 EUR |



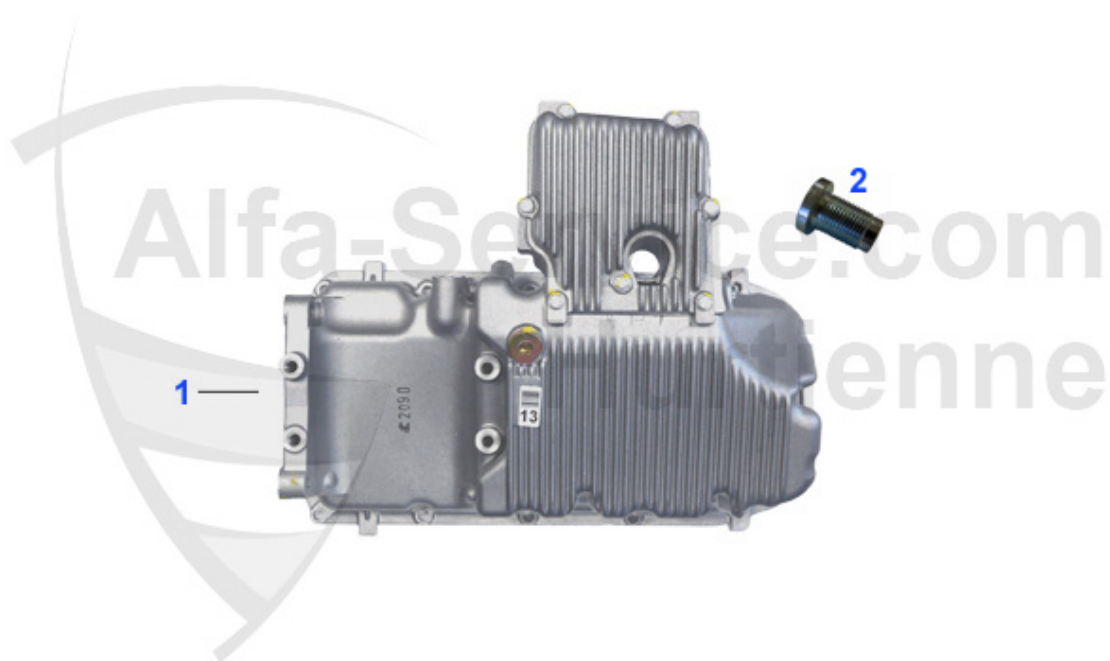
1 KB24126 piston 145/6,155,156,GTV/Spider (916) 1.8 TS 16V (AR32301)

159.01 EUR



1 KB4044 Kolben mit Buchse 75,164,gtv/spider (916) 3.0 V6 12V

Brera/Spider (939) > motor > bloque motor > el cárter



1 OW90209 cárter 145/6/7,155,156,gtv/Spider model (916) OE 55190209

Kraftstoffpumpe/Fuel Pump gtv/spider (916) 1.8/2.0 TS



| | | | |
|---|--------|--|------------|
| 1 | KP6416 | bomba carburante 145/6,155,gtv/spider (916) Boxer/TS 16V/V6 Turbo > 98 | 95.00 EUR |
| 2 | KP6563 | bomba carburante GTV/Spider (916) 1.8/ 2.0 TS/V6 24V CF2/3 98> | 285.01 EUR |

Brera/Spider (939) > motor > circuito carburante > 2.0 JTS > bomba carburante

Kraftstoffpumpe/Fuel Pump gtv/spider (916) 2.0 JTS



1 KP4361 bomba carburante GTV/Spider (916) 2.0 JTS

236.98 EUR

Kraftstoffpumpe/Fuel Pump gtv/spider (916) 2.0 V6 Turbo

1. KP 6416
>1998



2. KP 6504
1998>



| | | | |
|---|--------|--|-----------|
| 1 | KP6416 | bomba carburante 145/6,155,gtv/spider (916) Boxer/TS 16V/V6 Turbo > 98 | 95.00 EUR |
| 2 | KP6504 | Kraftstoffpumpe gtv/spider (916) 2.0 V6 Turbo Bj. 98> | *** |

Kraftstoffpumpe/Fuel Pump gtv/spider (916) 3.0 V6

1. KP 6416
>1998



2. KP 6504
1998>



| | | | |
|---|--------|--|-----------|
| 1 | KP6416 | bomba carburante 145/6,155,gtv/spider (916) Boxer/TS 16V/V6 Turbo > 98 | 95.00 EUR |
| 2 | KP6504 | Kraftstoffpumpe gtv/spider (916) 2.0 V6 Turbo Bj. 98> | *** |

Kraftstoffpumpe/Fuel Pump gtv/spider (916) 3.0/3.2 V6 24V

1. KP 6416
>1998

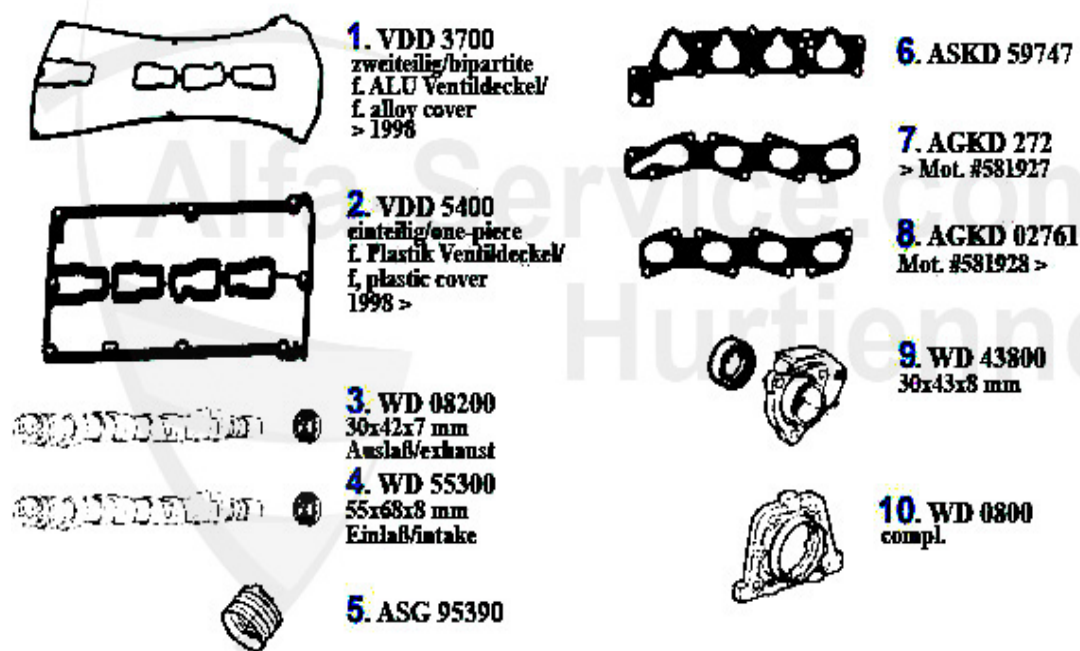


2. KP 6563
1998>



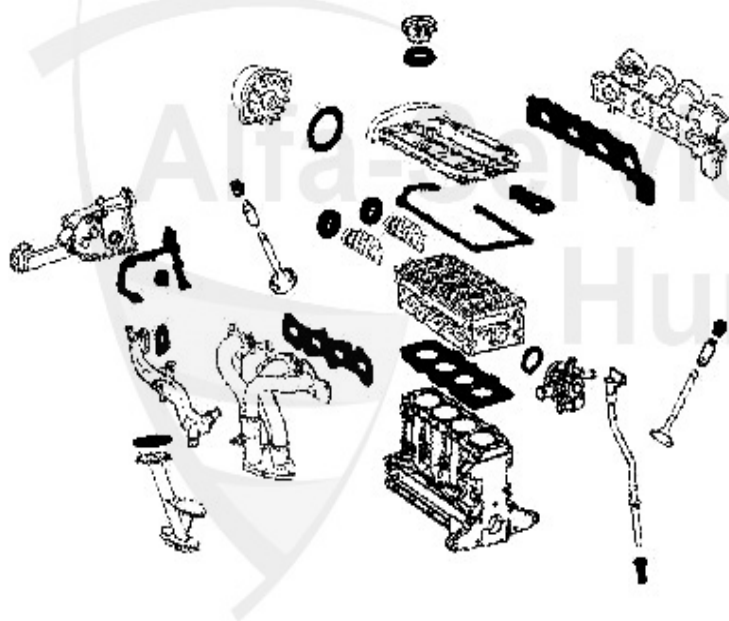
| | | | |
|---|--------|--|------------|
| 1 | KP6416 | bomba carburante 145/6,155,gtv/spider (916) Boxer/TS 16V/V6 Turbo > 98 | 95.00 EUR |
| 2 | KP6563 | bomba carburante GTV/Spider (916) 1.8/ 2.0 TS/V6 24V CF2/3 98> | 285.01 EUR |

Dichtungen Motor/Gaskets Engine gtv/spider (916) TS 16V



| | | | |
|----|-----------|--|-----------|
| 1 | VDD3700 | junta cubre-culata (2 partes) para cubre-culata Alu 145/6,155,156,166 varios 4 cyl. >03.98 | 33.90 EUR |
| 2 | VDD5400 | junta cubre-culata 1 parte (para cubre-culata plasico) 145/6,156,gtv, spider (916) 04.98> | 33.50 EUR |
| 3 | WD08200 | retén arbol de levas 145/6,155,156,gtv/ spider (916), 166 varios 96-01 | 15.51 EUR |
| 4 | WD55300 | retén arbol de levas 145/6,155,156 1.6 1.7/1.8/2.0 16V TS | 17.90 EUR |
| 5 | ASG95390 | Ansauggummi 145/6,147,155,156,166, gtv/spider (916),Nuovo GT TS 16V | 8.72 EUR |
| 6 | ASKD59747 | junta colector admision 145/6,147, 155,156,166,gtv/spider (916), Nuova GT #0165088>TS 16V | 25.13 EUR |
| 7 | AGKD272 | Abgaskrümmer-Dichtung 145/6 2.0 16V TS bj. 95-01,155 2.0 16V TS bj. 92 -97,spider/gtv (916) 2.0 TS 16V bj. 95-98 | 24.49 EUR |
| 8 | AGKD02761 | junta colector escape 145/6,147,155,156 166,gtv,spider (916) TS/JTS 16V 98> | 24.00 EUR |
| 9 | WD43800 | retén ciguenal delantero (polea) 145/6, 1.9 TD 94-99, 147 2.0 TS 155 1.9 TD 93-97, 155 2.0 TS 16V 2.0 16V Turbo | 9.75 EUR |
| 10 | WD0800 | retén ciguenal trasero (volante-motor) 147 1.6 TS 16V/1.9 JTD 03>,156 1.9/ 2.4 JTD | 47.50 EUR |

Kopfdichtsatz/Head Set gtv/spider (916) TS 16V



- 1. ZKDS 61700**
1.8 TS 16V
- 2. ZKDS 40800**
2.0 TS 16V/CF2 > Mot. 581927
m. ALU Ventildeckel/
w. alloy valve cover
- 3. ZKDS 60800**
2.0 TS 16V/CF2, Mot. 581928->
m. Plastik Ventildeckel/
w. plastic valve cover
- 4. ZKDS 5740**
2.0 TS 16V/CF3
m. Plastik Ventildeckel/
w. plastic valve cover

| | | |
|----------|--|-------------------|
| 1 | ZKDS61700 kit juntas motor-parte alta 145/6,156 gtv,spider (916) 1.6-1.8 ie 16V TS 97-> cubre-culata plastico | 132.34 EUR |
| 2 | ZKDS40800 kit juntas motor-parte alta 145/6,155, gtv,Spider (916) 2.0 TS 110KW 95-01 cubre-culata alu | 164.99 EUR |
| 3 | ZKDS60800 kit juntas motor-parte alta 145/6,156 gtv,spider (916) 2.0 16V Ts 97-01 cubre-culata plastico | 111.82 EUR |
| 4 | ZKDS5740 kit juntas motor-parte alta, Nuovo GT 1.8/2.0 TS CF3 | 165.01 EUR |

Brera/Spider (939) > motor > juntas motor > 1.8/2.0 TS > kit juntas motor

Motordichtsatz/Full Set gtv/spider (916) 2.0 TS 16V



1. MDS 74900
1.8 TS 16V

2. MDS 54200
2.0 TS 16V/CF2, >Mot. 581927
m. ALU Ventildeckel/
w. alloy valva cover

3. MDS 54300
2.0 TS 16V/CF2, Mot. 581928>
m. Plastik Ventildeckel/
w. plastic Ventildeckel

4. MDS 3100
2.0 TS 16V/CF3
m. Plastik Ventildeckel/
w. plastic Ventildeckel

| | | | |
|----------|-----------------|---|-------------------|
| 1 | MDS74900 | kit juntas motor 145/6,156,gtv,spider (916) 1.6-1.8 16V TS 97> cubre-culata plastico | 155.00 EUR |
| 2 | MDS54200 | kit juntas motor 145/6,155,156,166, 1.6-1.8 TS 16V >98 cubre-culata alu | 155.00 EUR |
| 3 | MDS54300 | kit juntas motor 145/6,155,gtv,spider (916) 2.0 TS 95-01 110KW cubre-culata alu | 175.00 EUR |
| 4 | MDS3100 | kit juntas motor 166 2.0 TS CF3 110 KW>#2557364 | 229.00 EUR |

Kopfschraubensatz/Head Srew Set gtv/spider (916) TS 16V



1. ZKSS 152080

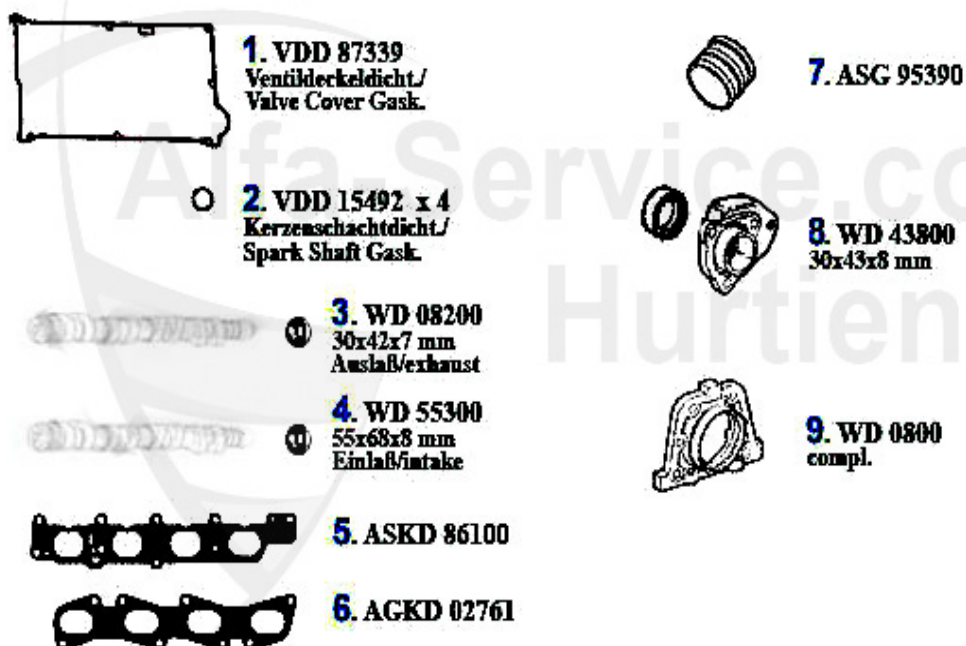
1 ZKSS15208

0

juego de esparragos 145/6,147,155,156, 166,gtv,spider (916), Nuovo GT
TS 16V

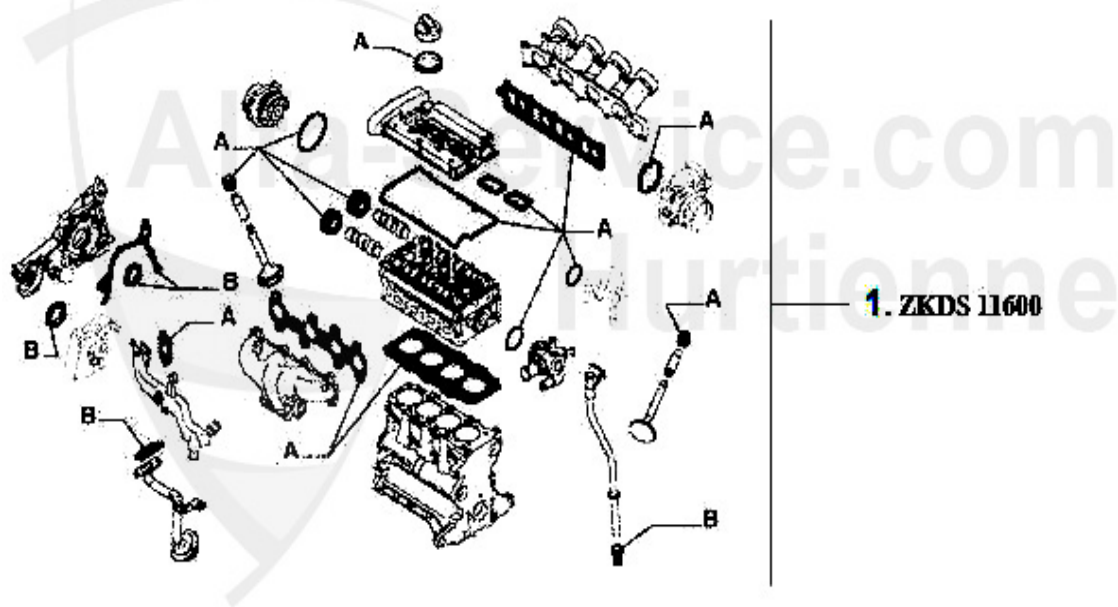
69.00 EUR

Dichtungen Motor/Gaskets Engine gtv/spider (916) JTS



| | | | |
|---|-----------|---|-----------|
| 1 | VDD87339 | junta cubre-culata 2.0 JTS 156, gtv/spider (916), Nuovo GT + 4 aros de guarnición | 35.00 EUR |
| 2 | VDD15492 | junta pozo de bujia TS 16V | 3.69 EUR |
| 3 | WD08200 | retén arbol de levas 145/6,155,156,gtv/ spider (916), 166 varios 96-01 | 15.51 EUR |
| 4 | WD55300 | retén arbol de levas 145/6,155,156 1.6 1.7/1.8/2.0 16V TS | 17.90 EUR |
| 5 | ASKD86100 | junta colector admision 156, gtv/spider (916), Nuovo GT 2.0 JTS | 57.49 EUR |
| 6 | AGKD02761 | junta colector escape 145/6,147,155,156 166,gtv,spider (916) TS/JTS 16V 98> | 24.00 EUR |
| 7 | ASG95390 | Ansauggummi 145/6,147,155,156,166, gtv/spider (916),Nuovo GT TS 16V | 8.72 EUR |
| 8 | WD43800 | retén ciguenal delantero (polea) 145/6, 1.9 TD 94-99, 147 2.0 TS 155 1.9 TD 93-97, 155 2.0 TS 16V 2.0 16V Turbo | 9.75 EUR |
| 9 | WD0800 | retén ciguenal trasero (volante-motor) 147 1.6 TS 16V/1.9 JTD 03>,156 1.9/ 2.4 JTD | 47.50 EUR |

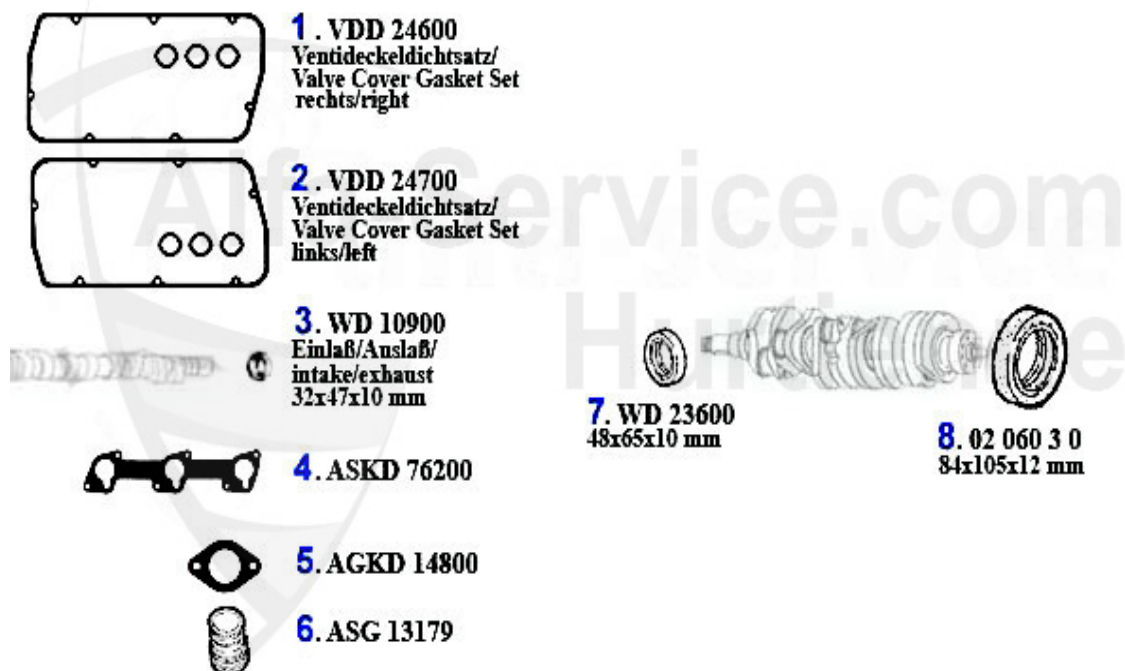
Kopfdichsatz/Head Set gtv/spider (916) JTS



1 ZKDS11600 kit juntas motor-parte alta 156.gtv/ spider (916) Nuovo GT 2.0 JTS

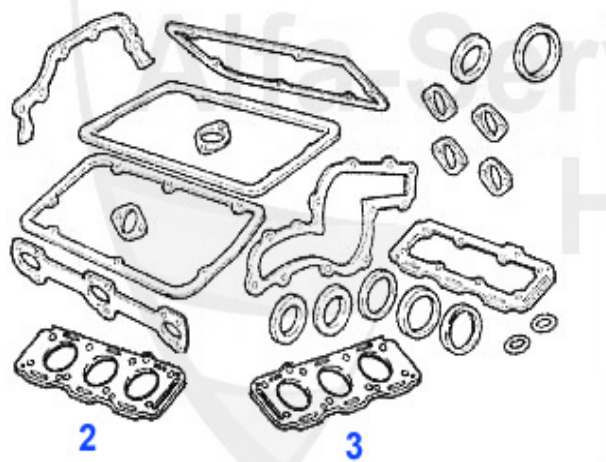
169.00 EUR

Dichtungen Motor/Gaskets Engine gtv/spider (916) 2.0 V6 Turbo



| | | | |
|---|------------|---|-----------|
| 1 | VDD24600 | junta cubre-culata der. 6,75,90, GTV(116) 164, GTV, Spider (916) varios V6 | 38.50 EUR |
| 2 | VDD24700 | junta cubre-culata izq. 6,75,90, GTV (116) 164,GTV/Spider (916) varios V6 | 38.50 EUR |
| 3 | WD10900 | retén arbol de levas 6,75,90,164,166, GTV/6 (116), gtv/spider (916),RZ,SZ, V6 80-2000 | 16.95 EUR |
| 4 | ASKD76200 | junta colector adm. 155,164/Super,166, gtv/spider V6 12V | 9.13 EUR |
| 5 | AGKD14800 | junta colector escape 6,75,90,155,164/ Super, RZ,SZ V6 | 6.50 EUR |
| 6 | ASG13179 | Ansauggummi 155,164/Super,166,gtv/ spider (916),Nuovo GT 6-Zylinder | 24.50 EUR |
| 7 | WD23600 | retén ciguenal delantero (polea)6,75,90 155,164,GTV (116), GTV Spider(916), varios V6 | 18.85 EUR |
| 8 | 02 060 3 0 | retén ciguenal CORTECO trasero Spider 90-93, 75,90,155,164GTV6,166,156 | 33.50 EUR |

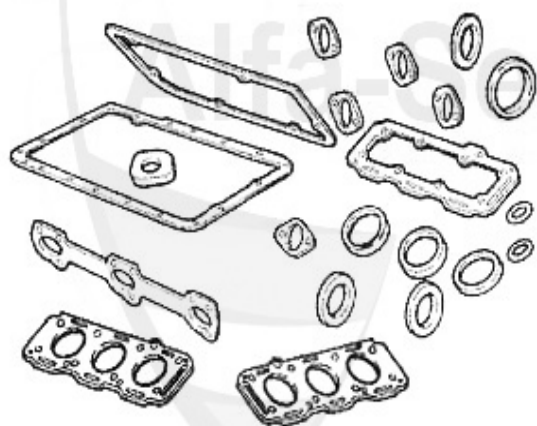
Kopfdichtsatz/Head Set gtv/spider (916) 2.0 V6 Turbo



1. ZKDS 03000

| | | |
|---|--|------------|
| 1 | ZKDS03000 Kopfdichtsatz 164/Super,gtv/spider (916) 2.0 V6 Turbo | 229.00 EUR |
| 2 | ZKD8811 Zylinderkopfdichtung 2,0 V6 Turbo GTV u. Spider 916, Alfa 164, links | 101.75 EUR |
| 3 | ZKD8812 Zylinderkopfdichtung 2,0 V6 Turbo GTV u. Spider 916, 164, rechts | 101.75 EUR |

Motordichtsatz/Full Set gtv/spider (916) 2.0 V6 Turbo



1. MDS 1163

1 MDS1163 kit juntas motor 164/Super,gtv/spider (916) 2.0 V6 Turbo

275.00 EUR

Dichtungen Motor/Gaskets Engine gtv/spider (916) V6 12V



1. VDD 24600
Rechts/right, >1998



2. VDD 24800
Rechts/right, 1998->

3. VDD 24700
Links/left, >1998

4. VDD 24900
Links/left, 1998->



5. WD 10900
32x47x10 mm



6. ASKD 76200



7. ASG 13179



8. AGKD 06636

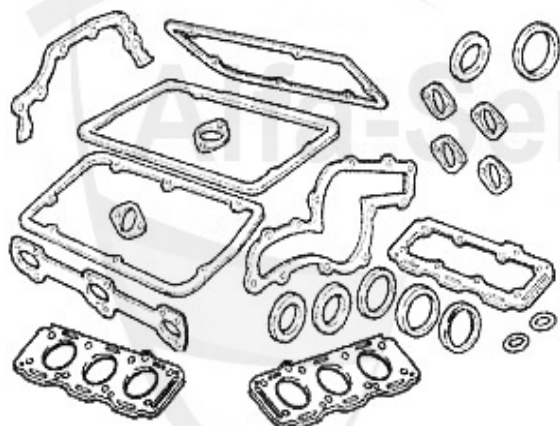


9. WD23600
48x65x10 mm

10. 02 060 3 0
84x105x12 mm

| | | | |
|-----------|------------|---|------------------|
| 1 | VDD24600 | junta cubre-culata der. 6,75,90, GTV(116) 164, GTV, Spider (916) varios V6 | 38.50 EUR |
| 2 | VDD24800 | Ventildeckeldichtung rechts 166 V6 2.0 Turbo Bj. 09.98> | 47.01 EUR |
| 3 | VDD24700 | junta cubre-culata izq. 6,75,90, GTV (116) 164,GTV/Spider (916) varios V6 | 38.50 EUR |
| 4 | VDD24900 | Ventildeckeldichtung links 166 V6 2.0 Turbo Bj. 98> | 42.90 EUR |
| 5 | WD10900 | retén arbol de levas 6,75,90,164,166, GTV/6 (116), gtv/spider (916),RZ,SZ, V6 80-2000 | 16.95 EUR |
| 6 | ASKD76200 | junta colector adm. 155,164/Super,166, gtv/spider V6 12V | 9.13 EUR |
| 7 | ASG13179 | Ansauggummi 155,164/Super,166,gtv/ spider (916),Nuovo GT 6-Zylinder | 24.50 EUR |
| 8 | AGKD06636 | junta colector escape 75,155,164,Super, RZ,SZ,GTV Spider (916) /3.0 V6 | 5.00 EUR |
| 9 | WD23600 | retén ciguenal delantero (polea)6,75,90 155,164,GTV (116), GTV Spider(916), varios V6 | 18.85 EUR |
| 10 | 02 060 3 0 | retén ciguenal CORTECO trasero Spider 90-93, 75,90,155,164GTV6,166,156 | 33.50 EUR |

Kopfdichtsatz/Head Set gtv/spider (916) 3.0 V6 12V

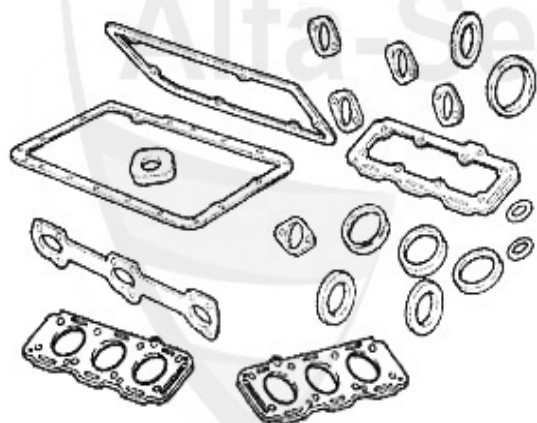


1. ZKDS 3100

1 ZKDS3100 kit juntas motor-parte alta 164 3.0 V6 95> 75 3.0 V6 87-92 RZ/SZ

290.00 EUR

Motordichtsatz/Full Set gtv/spider (916) 3.0 V6 12V



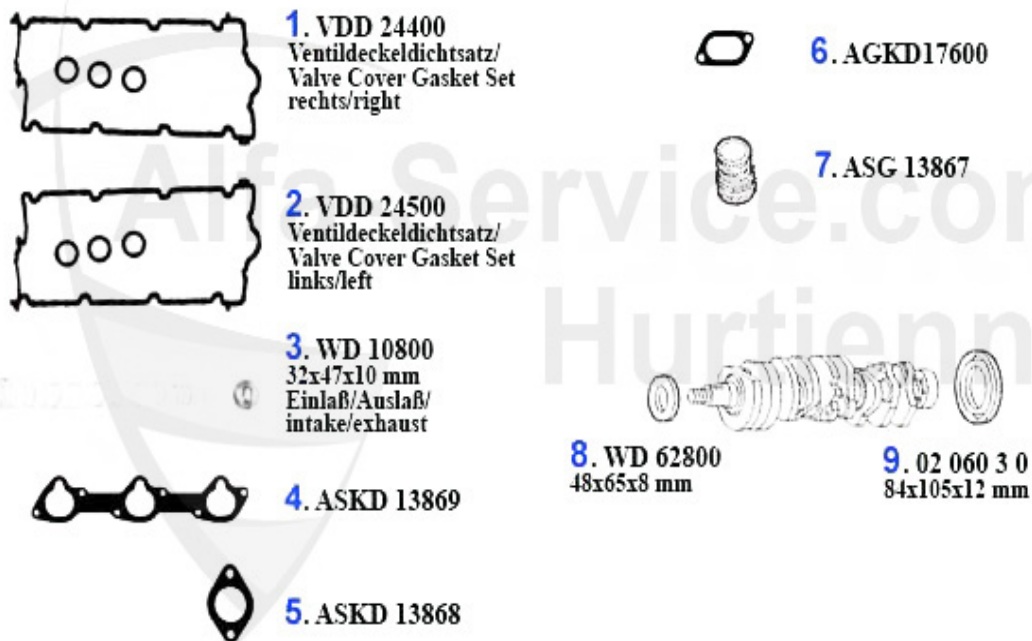
1. MDS 116400

1 MDS116400kit juntas motor 164 V6 3.0 87>gtv/ spider (916) 3.0 V6 95>

395.00 EUR

Brera/Spider (939) > motor > juntas motor > 3.0/3.2 V6 24V > juntas motor

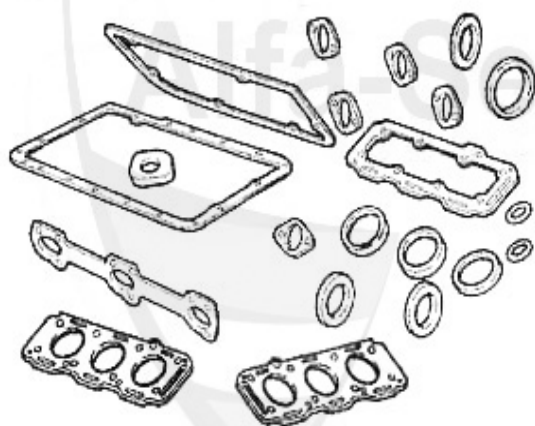
Dichtungen Motor/Gaskets Engine gtv/spider (916) 3.0/3.2 V6 24V



| | | |
|---|--|-----------|
| 1 | VDD24400 junta cubre-culata der. 147,156,166, gtv/spider (916), Nuovo GT V6 24V | 39.00 EUR |
| 2 | VDD24500 junta cubre-culata izq. 147,156,166, gtv/spider (916), Nuovo GT V6 24V | 39.00 EUR |
| 4 | ASKD13869junta colector admision 147,156,164/ Super, 166,gtv/spider (916), Nuovo GT V6 24V | 6.70 EUR |
| 5 | ASKD13868junta colector damision 147,156,164/ Super,166,gtv/spider (916), Nuovo GT V6 | 4.90 EUR |
| 6 | AGKD17600junta colector escape 156,164/Super,166 gtv/spider (916), Nuovo GT V6 24V | 9.50 EUR |
| 7 | ASG13867 Ansauggummi 147,156,164/Super,166, gtv/spider (916),Nuovo GT V6 24V | 21.31 EUR |
| 8 | WD62800 retén ciguenal delantero (poleo) 156, 166 V6 | 16.51 EUR |
| 9 | 02 060 3 0 retén ciguenal CORTECO trasero Spider 90-93, 75,90,155,164GTV6,166,156 | 33.50 EUR |

Brera/Spider (939) > motor > juntas motor > 3.0/3.2 V6 24V > kit juntas motor

Kopfdichtsatz/Head set gtv/spider (916) 3.0/3.2 V6 24V



1. ZKDS 61000

1 ZKDS61000 kit juntas motor-parte alta 147,156,166, gtv/spider (916),Nuovo GT V6
24V/GTA

279.00 EUR

Motordichtsatz/Full set gtv/spider (916) 3.0/3.2 V6 24V

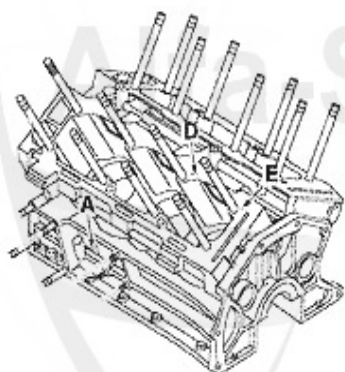


1. MDS 74200

1 MDS74200 kit juntas motor 147,156,166, gtv/spider (916), Nuovo GT V6 24V/GTA

399.00 EUR

Kopfschraubensatz/Head Screw Set spider/gtv (916) 3.0/3.2 V6 24V



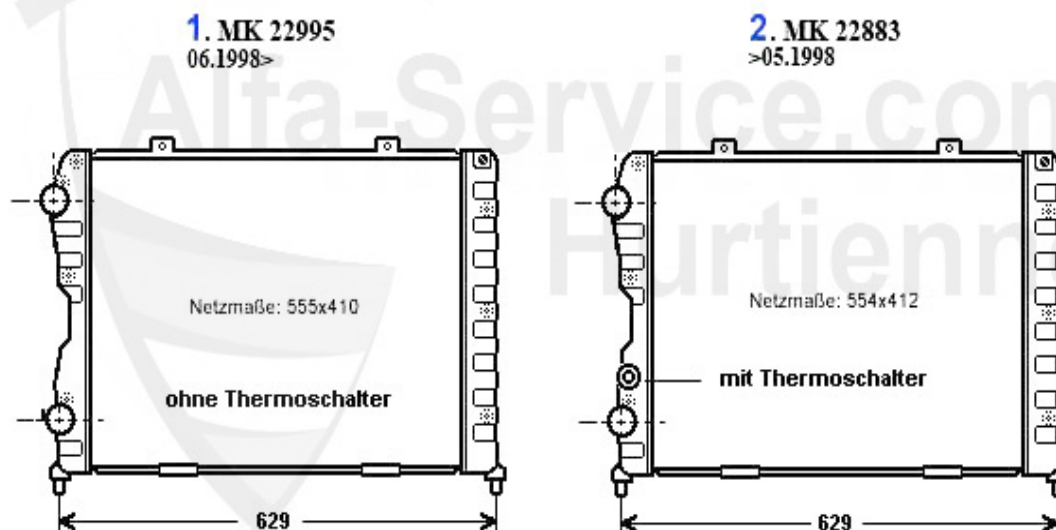
1. ZKSS 8200



1 ZKSS8200 juego de esparragos 147,156,164,166, gtv/spider (916), nuovo GT V6 24V

115.00 EUR

Kühler/Radiator gtv/spider (916) 1.8/2.0 TS



| | | | |
|---|---------|---|------------|
| 1 | MK22995 | Motorkühler gtv/spider (916) 1.8/2.0 16V TS ab # 6023207 | 359.00 EUR |
| 2 | MK22883 | Motorkühler gtv/spider (916) 2.0 V6 Turbo, 3.0 V6 alle 1.8/2.0 16V TS bis # 6023907 | *** |

Thermostat gtv/spider (916) 1.8/2.0 TS



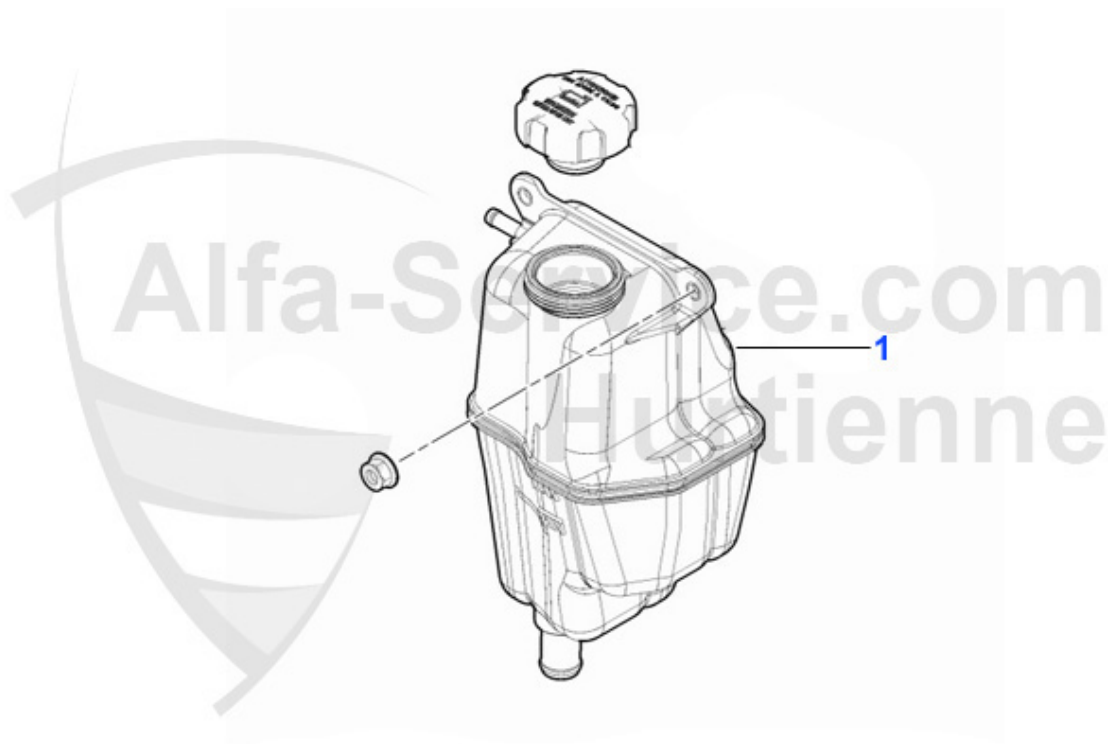
| | | | |
|----------|----------|---|------------------|
| 1 | TH649083 | termostato 145/6,155,gtv/spider (916) 1.8/2.0 ie TS (con carter) | 89.00 EUR |
| 2 | TH650688 | termostato 145/6,147,156,gtv (916) 1.6/1.8/2.0 ie TS 98> (con carter) | 69.00 EUR |

Wasserpumpe/Waterpump gtv/spider (916) 1.8/2.0 TS



1 WP00310 bomba aqua 145/6 1.4/1.6/1.8/2.0/ie 16V TS,147 1.6/2.0 ie 16V TS,155,156,
1.6/2.0 16V TS/JTS,166 2.0 TS/JTS,gtv/ spider (916) 1.8/2.0 16VS

69.00 EUR

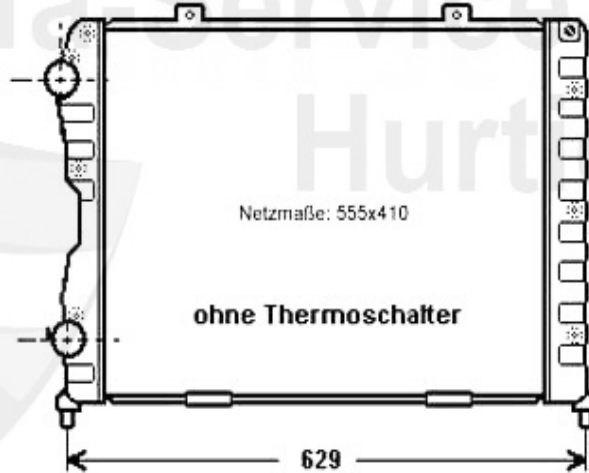


1 KWB16508 Kühlwasserausgleichsbehälter 159 05-10/ Brera 05-10/ Spider 06-10

29.50 EUR

Kühler/Radiator gtv/spider 2.0 JTS

1. MK 22995



1 MK22995 Motorkühler gtv/spider (916) 1.8/2.0 16V TS ab # 6023207

359.00 EUR



- | | | |
|---|---|------------|
| 1 | KWS00406 Kühlwasserschlauch oben AR159 1.9/ 2,2/Brera ab05/Spider ab06 | *** |
| 2 | KWS93901 Kühlwasserschlauch unten AR159, Brera, Spider (939) SELEPSEED Automatik | 180.00 EUR |

Thermostat gtv/spider (916) 2.0 JTS

1. TH 76067



1 TH76067 termostato 156,gtv/spider (916), Nuovo GT 2.0 JTS

56.50 EUR

Brera/Spider (939) > motor > circuito agua > 2.0 JTS > bomba agua

Wasserpumpe/Waterpump gtv/spider (916) 2.0 JTS

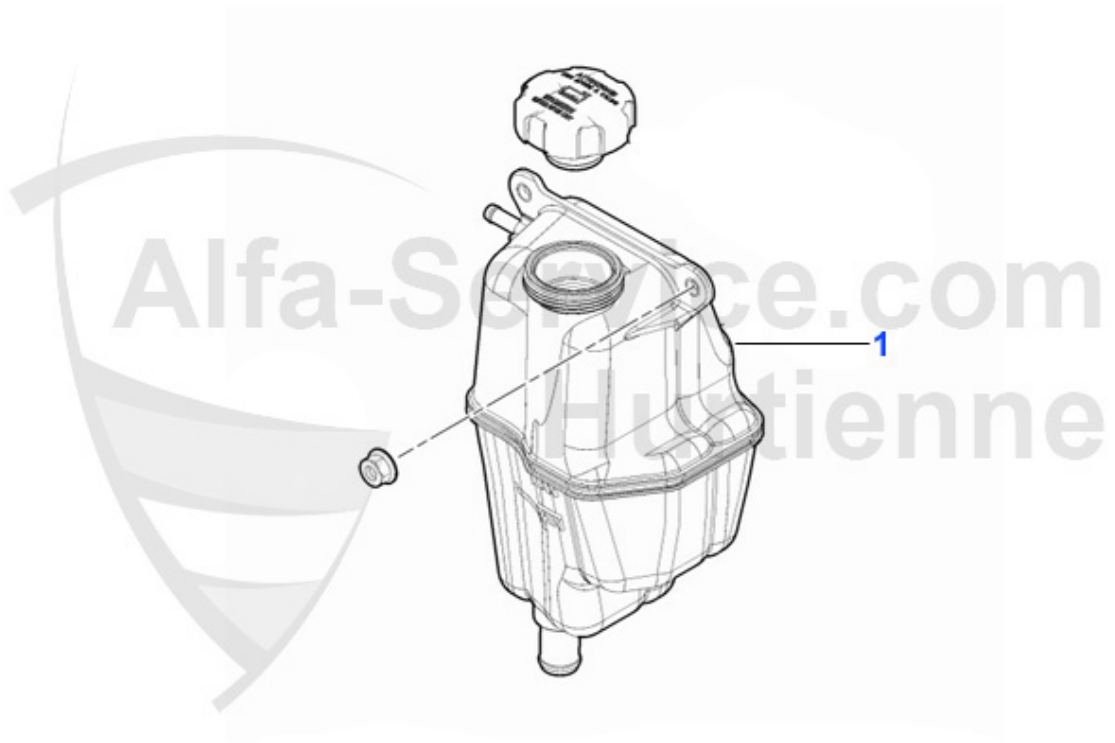
1. WP 00310



1 WP00310 bomba aqua 145/6 1.4/1.6/1.8/2.0/ie 16V TS,147 1.6/2.0 ie 16V TS,155,156,
1.6/2.0 16V TS/JTS,166 2.0 TS/JTS,gtv/ spider (916) 1.8/2.0 16VS

69.00 EUR

Brera/Spider (939) > motor > circuito agua > 2.0 JTS > vaso de expansion

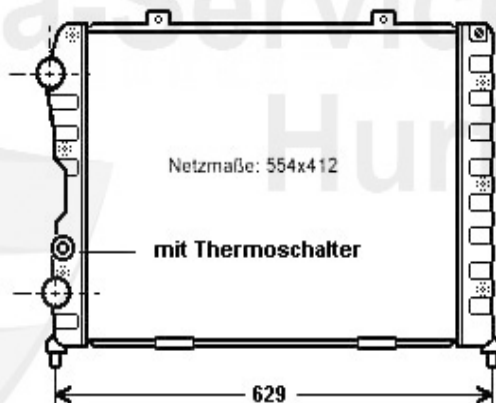


1 KWB16508 Kühlwasserausgleichsbehälter 159 05-10/ Brera 05-10/ Spider 06-10

29.50 EUR

Kühler/Radiator gtv/spider 2.0 V6 Turbo

1. MK 22883



1 MK22883 Motorkühler gtv/spider (916) 2.0 V6 Turbo, 3.0 V6 alle 1.8/2.0 16V TS bis #
6023907

Thermostat gtv/spider (916) 2.0 V6 Turbo

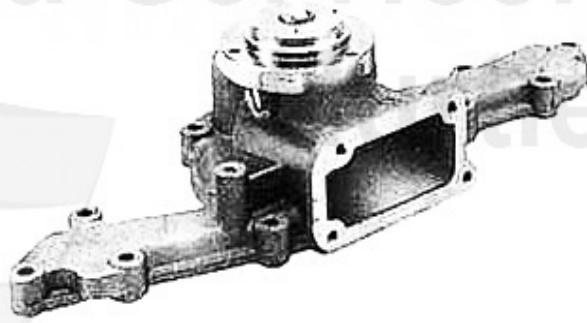
1. TH 614637



1 TH614637 Thermostat gtv/spider (916) 2.0 V6 Turbo

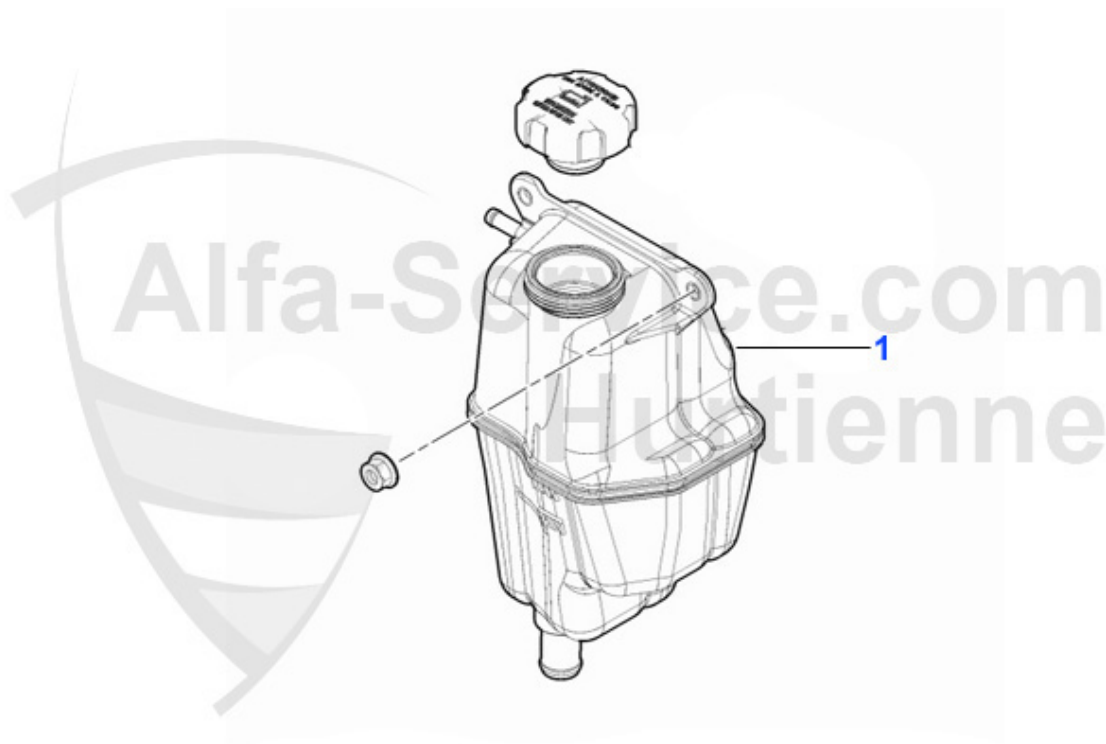
Brera/Spider (939) > motor > circuito agua > 2.0 V6 Turbo > bomba agua

Wasserpumpe/Waterpump gtv/spider (916) 2.0 V6 Turbo



1 WP01110 bomba agua 155 2.5 V6,gtv/spider (916) 2.0 V6 turbo/3.0 V6

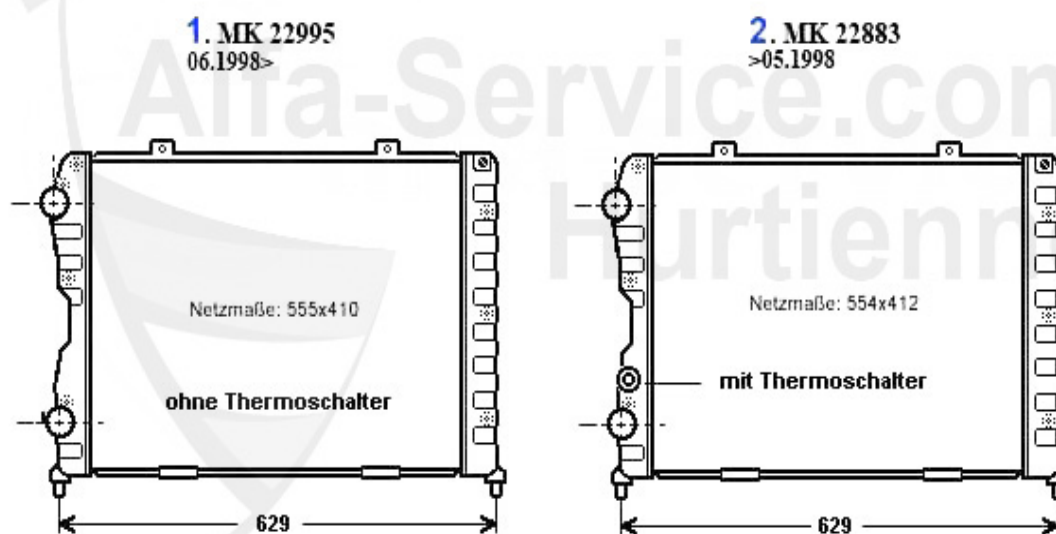
109.50 EUR



1 KWB16508 Kühlwasserausgleichsbehälter 159 05-10/ Brera 05-10/ Spider 06-10

29.50 EUR

Motorkühler/Radiator gtv/spider (916) 3.0 V6



| | | | |
|---|---------|---|------------|
| 1 | MK22995 | Motorkühler gtv/spider (916) 1.8/2.0 16V TS ab # 6023207 | 359.00 EUR |
| 2 | MK22883 | Motorkühler gtv/spider (916) 2.0 V6 Turbo, 3.0 V6 alle 1.8/2.0 16V TS bis # 6023907 | *** |

Brera/Spider (939) > motor > circuito agua > 3.0 V6 > termostato

Thermostat gtv/spider (916) 3.0 V6



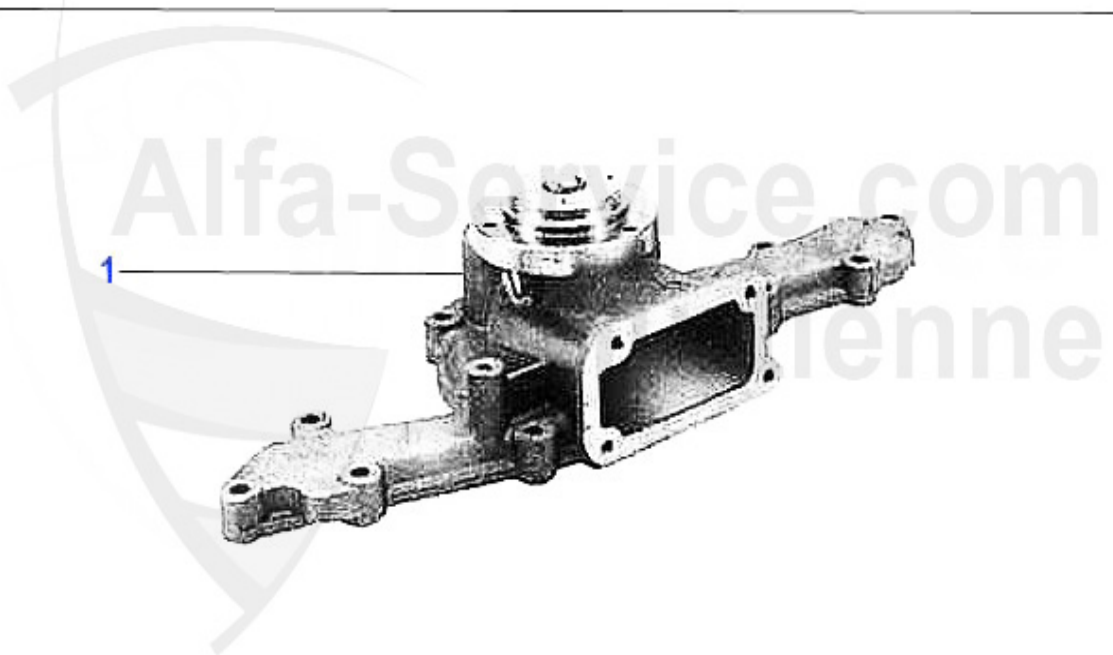
1. TH 657187

1 TH657187 termostato 155,156,166,gtv,spider (916) V6 (avec carter)

59.00 EUR

Brera/Spider (939) > motor > circuito agua > 3.0 V6 > bomba agua

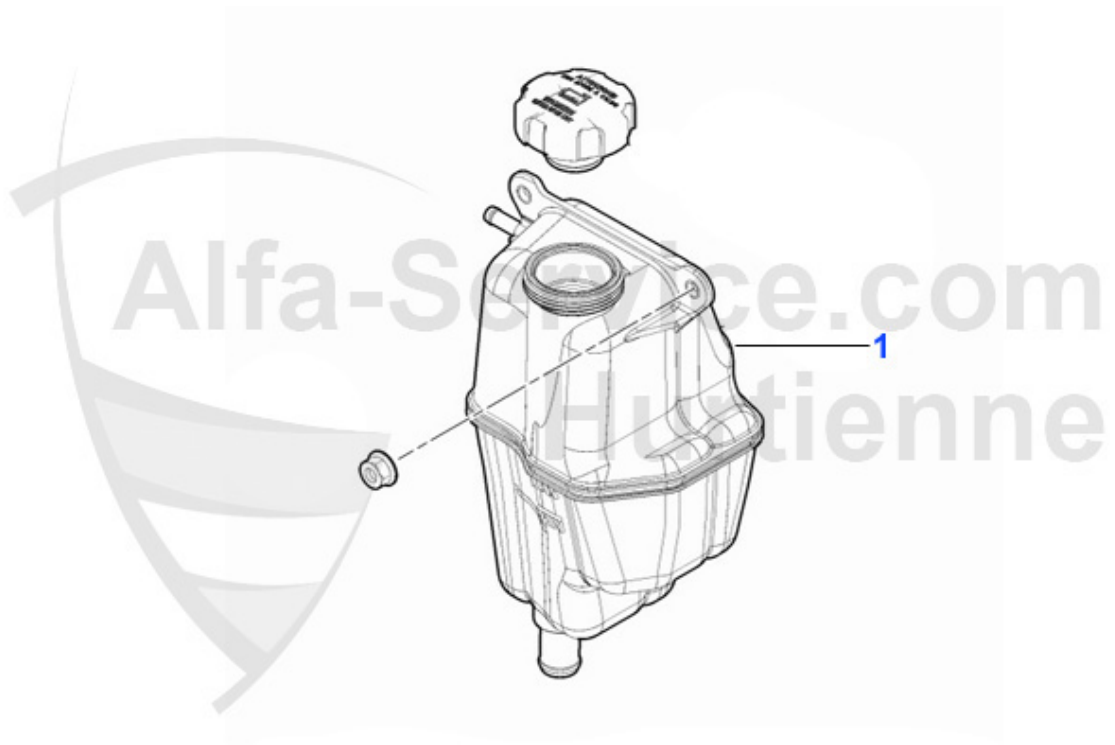
Wasserpumpe/Waterpump gtv/spider (916) 3.0 V6



1 WP01110 bomba agua 155 2.5 V6,gtv/spider (916) 2.0 V6 turbo/3.0 V6

109.50 EUR

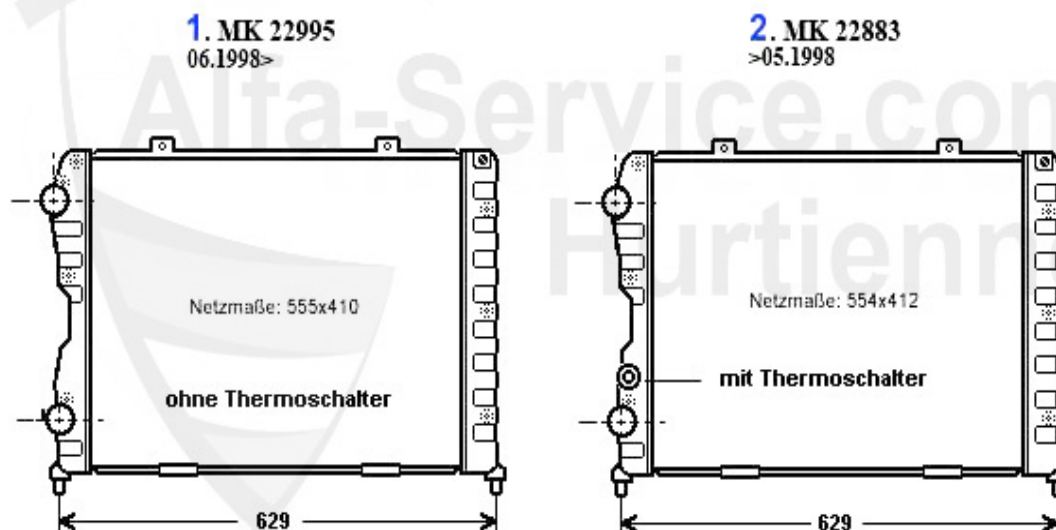
Brera/Spider (939) > motor > circuito agua > 3.0 V6 > vaso de expansion



1 KWB16508 Kühlwasserausgleichsbehälter 159 05-10/ Brera 05-10/ Spider 06-10

29.50 EUR

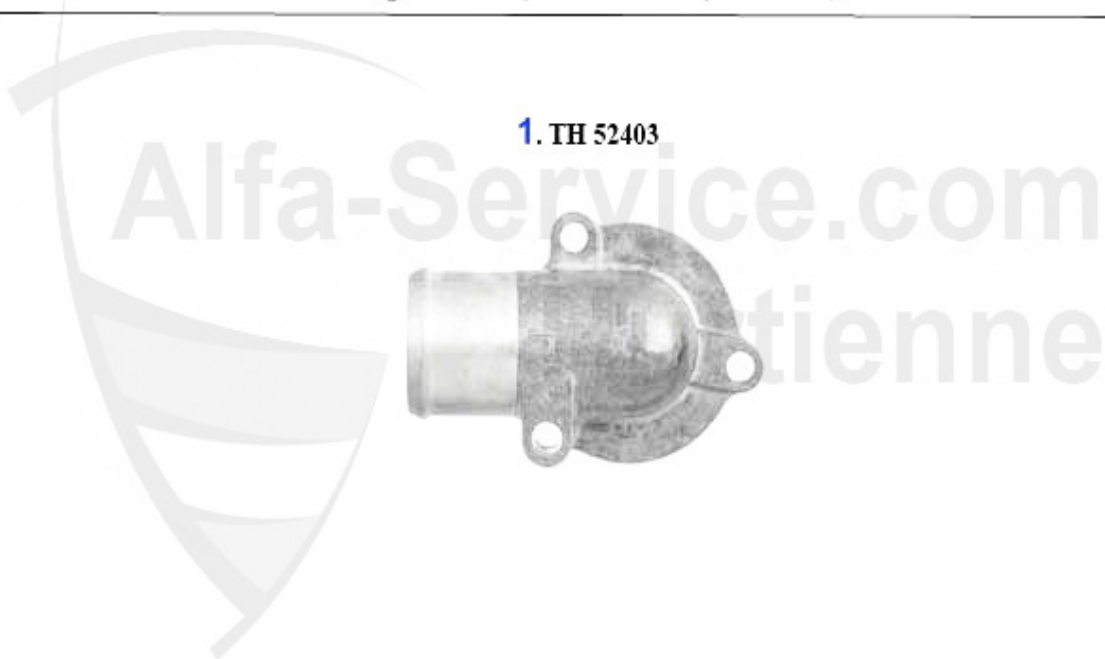
Motorkühler/Radiator gtv/spider (916) V6 24V



| | | | |
|---|---------|---|------------|
| 1 | MK22995 | Motorkühler gtv/spider (916) 1.8/2.0 16V TS ab # 6023207 | 359.00 EUR |
| 2 | MK22883 | Motorkühler gtv/spider (916) 2.0 V6 Turbo, 3.0 V6 alle 1.8/2.0 16V TS bis # 6023907 | *** |

Brera/Spider (939) > motor > circuito acqua > 3.0/3.2 V6 24V > termostato

Thermostat gtv/spider (916) V6 24V



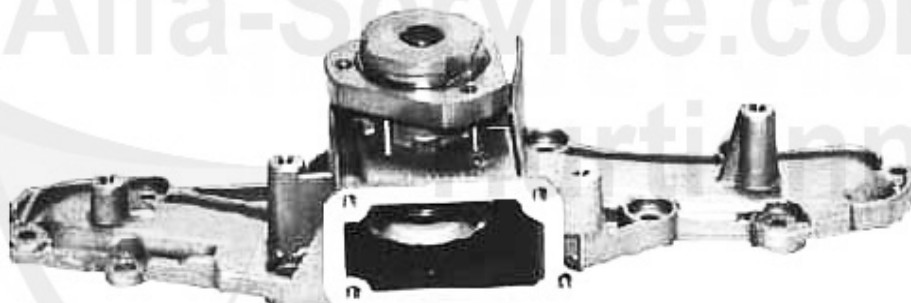
1 TH52403 Thermostat V6 24V/GTA 147,166, gtv/spider (916)

75.90 EUR

Brera/Spider (939) > motor > circuito agua > 3.0/3.2 V6 24V > bomba agua

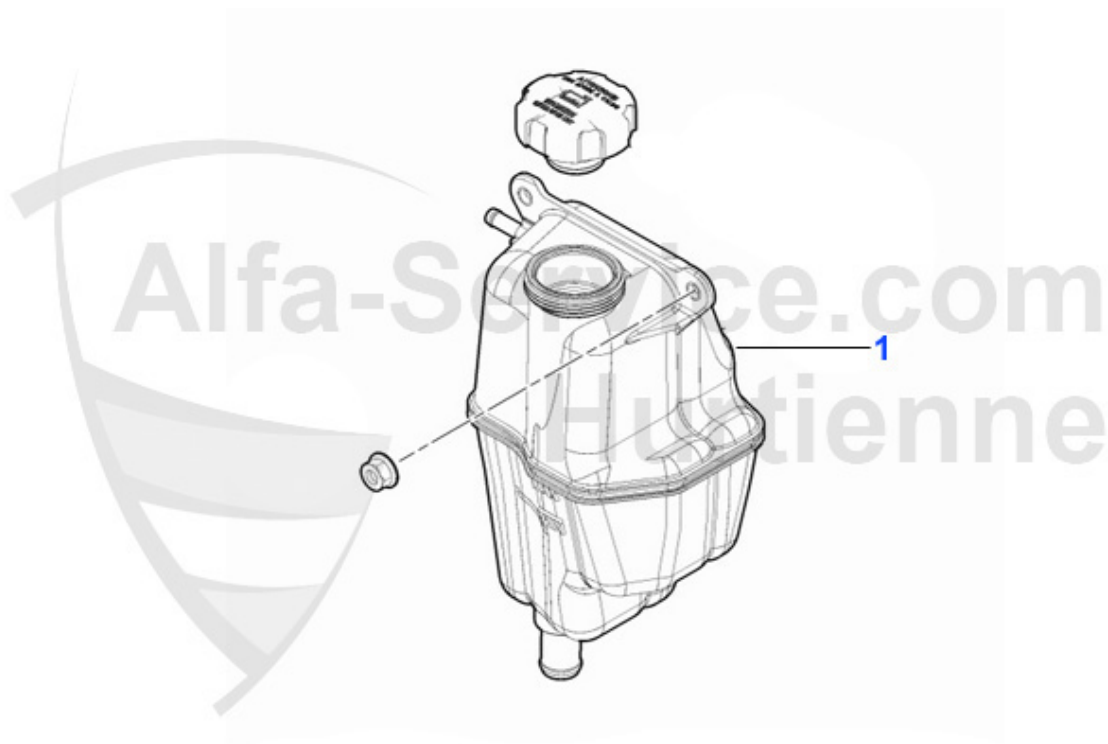
Wasserpumpe/Waterpump gtv/spider (916) V6 24V

1. WP 81355



1 WP81355 bomba aqua 147 3.2 GTA, 156 2.5 V6 24V, 166 V6 24V/2.0 V6 Turbo,
gtv/spider 3.0 V6 24V/3.2 GTA, Nuovo GT 3.2 GTA

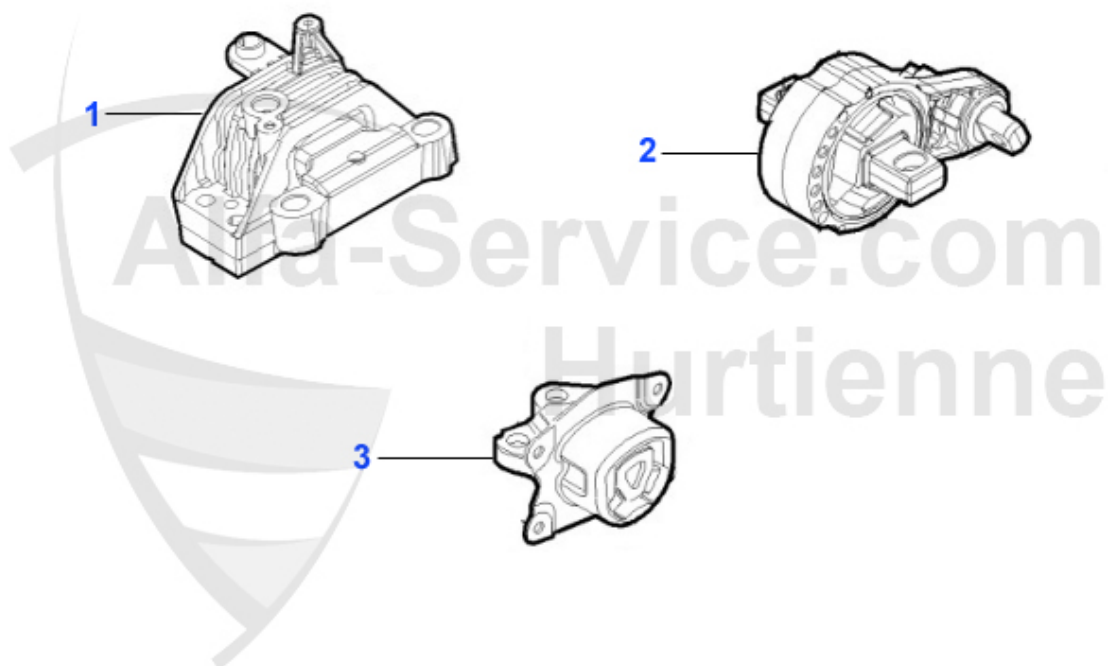
149.00 EUR



1 KWB16508 Kühlwasserausgleichsbehälter 159 05-10/ Brera 05-10/ Spider 06-10

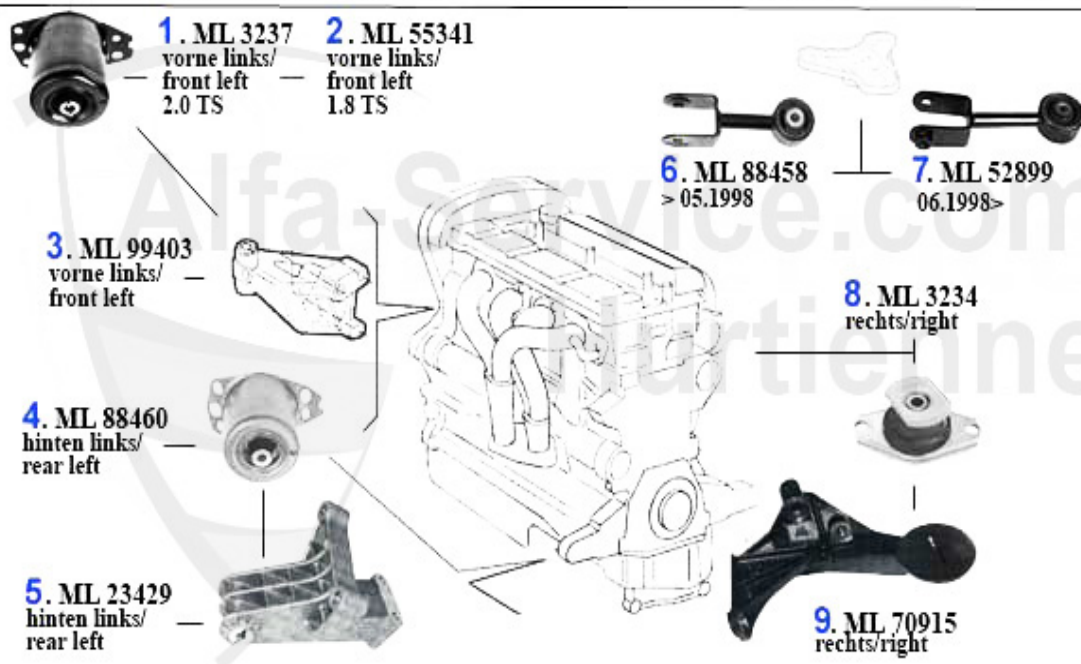
29.50 EUR

Brera/Spider (939) > motor > soportes motor > 2.2 JTS 16V



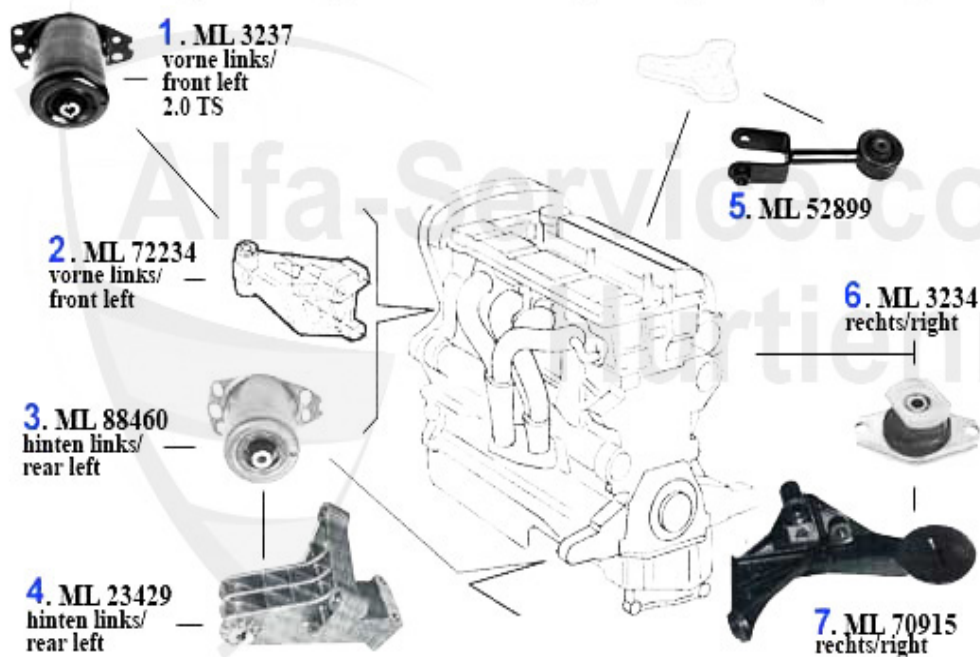
| | | | |
|---|---------|---|-----------|
| 1 | ML94071 | Motorlager Alfa 159 05-10 Brera 05-10, Spider 06-10, 1,9/2,2 BZ Vorne oben | *** |
| 2 | ML01607 | Motorlager unten AR 159, Brera, Spider 2,2 JTS CF4 (05-11) | 54.50 EUR |
| 2 | ML01608 | Motorzugstange 159, Brera, Spider 2,2JTS CF4 (05-11) | *** |
| 3 | ML05985 | Motorlager hinten Alfa 159, Brera, Spider, 1,9JTS 16V/2,2JTS 16V/3,2V6 (Getriebeseitig) | *** |

Motorlager/Enginemount gtv/spider (916) 1.8/2.0 TS



| | | | |
|---|---------|---|------------|
| 1 | ML3237 | soporte motor delantero 145/6,155 todas TS 16V & 6-cil.,gtv/spider (916) 4 cil. | 50.78 EUR |
| 2 | ML55341 | soporte motor del. izq. 156,gtv/spider (916) 1.8 TS 16V | *** |
| 3 | ML99403 | soporte motor 145/6,155,156,gtv/spider (916) 1.8/2.0 TS 16V/JTS | 109.00 EUR |
| 4 | ML88460 | soporte motor 145/6,147 (74KW),155,156, gtv/spider (916) | 45.01 EUR |
| 5 | ML23429 | soporte motor trasero 145/6,147,155,156, gtv/spider (916), Nuovo GT 4 cil. | *** |
| 6 | ML88458 | bieleta soporte motor 145/6,155, gtv/spider (916) 2.0 TS 16V | *** |
| 7 | ML52899 | bieleta soporte motor145/6 2.0 TS 16V, 147 todas, 156 2.0 TS/JTS,gtv/spider (916) 98>, Nuovo GT 2.0 (excepto Selespeed) | *** |
| 8 | ML3234 | soporte motor del.der. 145/6,147,155,156 gtv/spider (916) 1.8/2.0 TS | 73.99 EUR |
| 9 | ML70915 | soporte motor 145/6,147,155,156,166, gtv/spider (916), Nuovo GT 4 cil. | 196.59 EUR |

Motorlager/Enginemount gtv/spider (916) 2.0 JTS



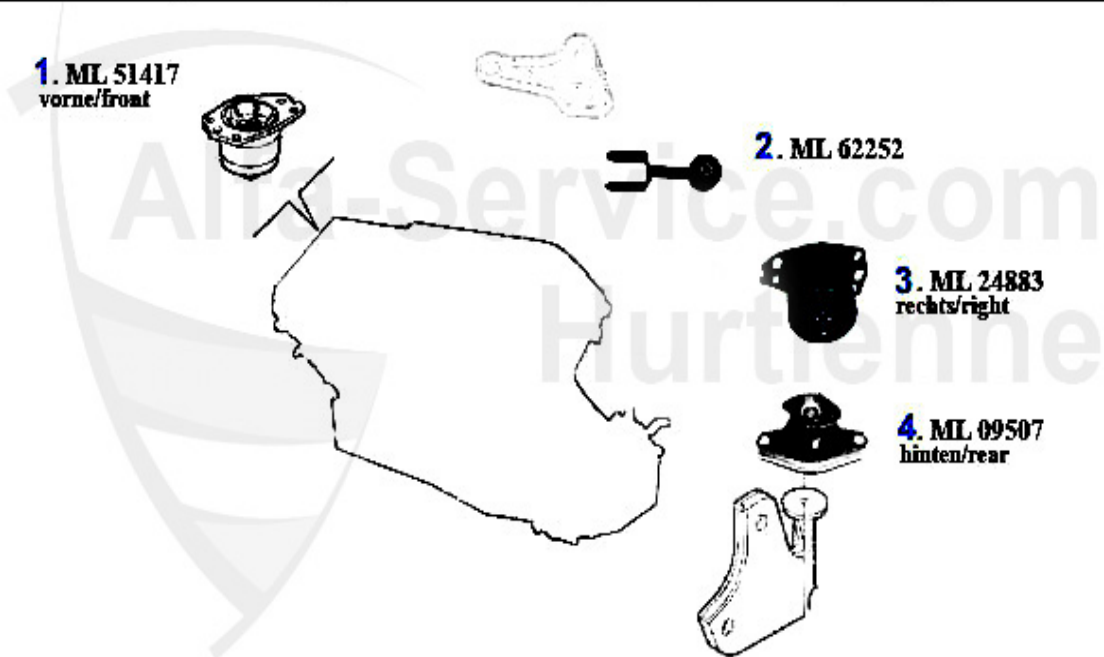
| | | | |
|---|---------|---|------------|
| 1 | ML3237 | soporte motor delantero 145/6,155 todas TS 16V & 6-cil.,gtv/spider (916) 4 cil. | 50.78 EUR |
| 2 | ML72234 | soporte motor delantero 156 02>, gtv/ spider (916) 98>, Nuovo GT TS 16V | 92.50 EUR |
| 3 | ML88460 | soporte motor 145/6,147 (74KW),155,156, gtv/spider (916) | 45.01 EUR |
| 4 | ML23429 | soporte motor trasero 145/6,147,155,156, gtv/spider (916), Nuovo GT 4 cil. | *** |
| 5 | ML52899 | bieleta soporte motor145/6 2.0 TS 16V, 147 todas, 156 2.0 TS/JTS,gtv/spider (916) 98>, Nuovo GT 2.0 (excepto Selespeed) | *** |
| 6 | ML3234 | soporte motor del.der. 145/6,147,155,156 gtv/spider (916) 1.8/2.0 TS | 73.99 EUR |
| 7 | ML70915 | soporte motor 145/6,147,155,156,166, gtv/spider (916), Nuovo GT 4 cil. | 196.59 EUR |

Motorlager/Enginemount gtv/spider (916) 2.0 V6 Turbo



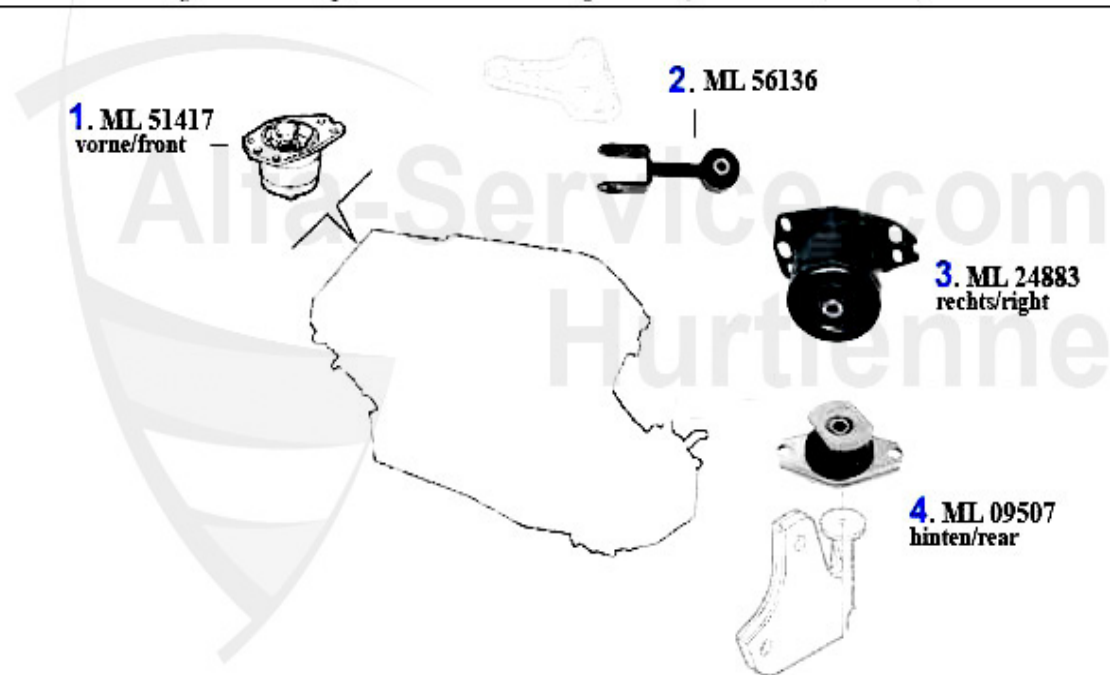
| | | | |
|---|---------|---|------------|
| 1 | ML51417 | Motorlager vorne gtv/spider (916) V6/Turbo | *** |
| 2 | ML62252 | bieleta soporte motor 155,gtv/spider (916) V6 | *** |
| 3 | ML24883 | Motorlager HR gtv/spider (916) V6 | 120.00 EUR |
| 4 | ML09507 | Motorlager hinten,unten gtv/spider (916) V6 | *** |

Motorlager/Enginemount gtv/spider (916) 3.0 V6

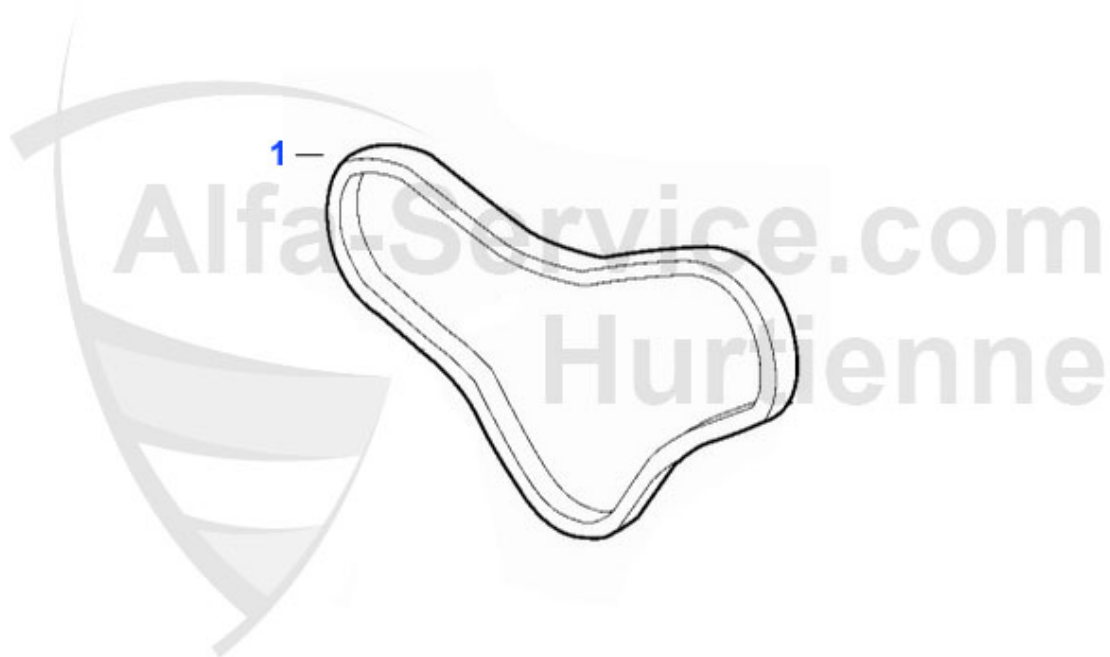


| | | | |
|---|---------|---|------------|
| 1 | ML51417 | Motorlager vorne gtv/spider (916) V6/Turbo | *** |
| 2 | ML62252 | bieleta soporte motor 155,gtv/spider (916) V6 | *** |
| 3 | ML24883 | Motorlager HR gtv/spider (916) V6 | 120.00 EUR |
| 4 | ML09507 | Motorlager hinten,unten gtv/spider (916) V6 | *** |

Motorlager/Enginemount gtv/spider (916) V6 24V

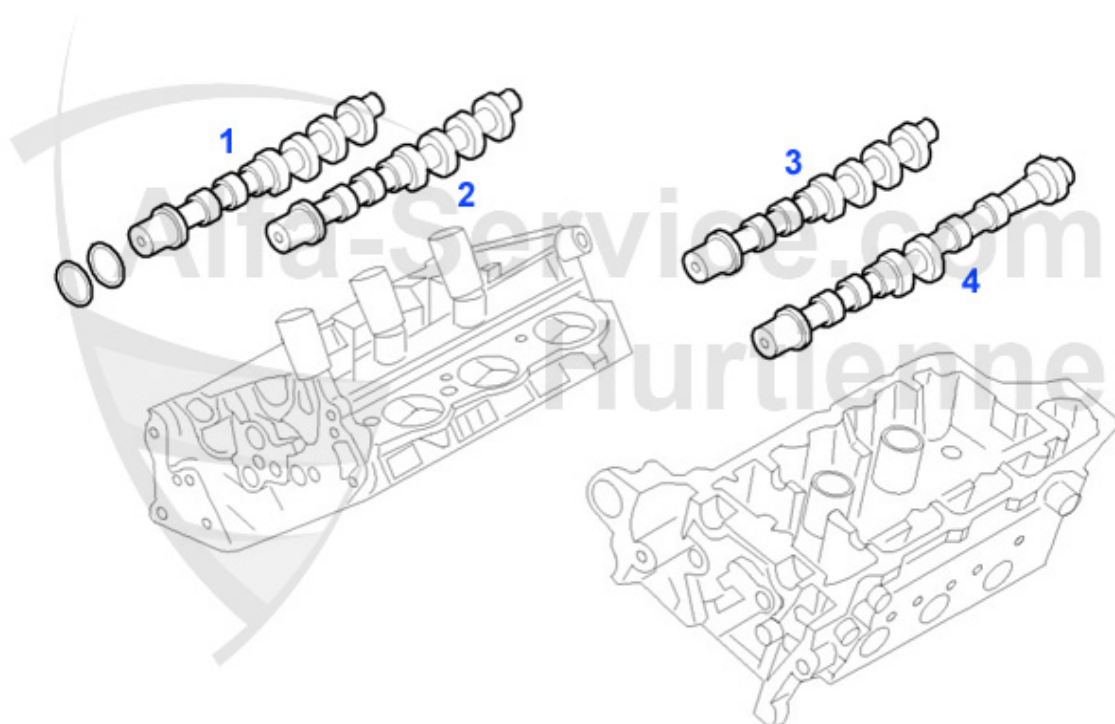


| | | | |
|---|---------|---|------------|
| 1 | ML51417 | Motorlager vorne gtv/spider (916) V6/Turbo | *** |
| 2 | ML56136 | Motorzugstange gtv/spider (916) V6 24V | *** |
| 3 | ML24883 | Motorlager HR gtv/spider (916) V6 | 120.00 EUR |
| 4 | ML09507 | Motorlager hinten,unten gtv/spider (916) V6 | *** |



| | | | |
|---|---------|---|------------|
| 1 | STK1163 | Steuerkette 3,2 V6 Brera, Spider 939, 159, (05-11) O.E.71741163 | 130.00 EUR |
| 1 | STK1262 | Steuerkette 3,2 (HOLDEN) Brera,Spider 939,AR159 | *** |

Brera/Spider (939) > motor > distribución > 3.2 JTS > arboles de levas

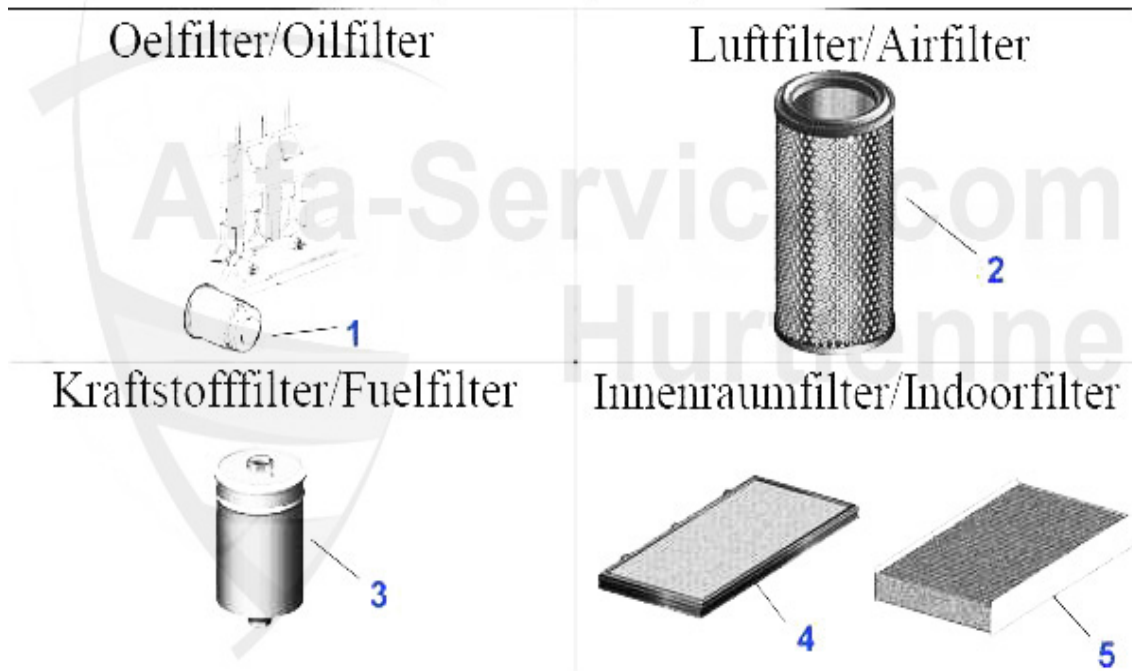


| | | | |
|---|---------|---|------------|
| 1 | NKW1593 | Nockenwelle Auslass 3,2 CF4 159/Brera/Spider 05-10 Rechter Zylinderkopf! 71741087 | 280.00 EUR |
| 2 | NKW1594 | Nockenwelle Einlass 3,2 CF4 159/Brera/Spider 05-10 Rechter Zylinderkopf! | 280.00 EUR |
| 3 | NKW1595 | Nockenwelle Einlass 3,2 CF4 159/Brera/Spider 05-10 Linker Zylinderkopf! | 280.00 EUR |
| 4 | NKW1596 | Nockenwelle Auslass 3,2 CF4 159/Brera/Spider 05-10 Linker Zylinderkopf! | 280.00 EUR |

Brera/Spider (939) > motor > distribución > 2.2 JTS > arboles de levas

| | | | |
|----------|----------------|---|-------------------|
| 1 | NKW1592 | Nockenwelle Auslass 2,2 JTS AR159/Brera/Spider (05-10) | 479.00 EUR |
| 2 | NKW1597 | Nockenwelle Einlass 2,2 JTS AR159/Brera/Spider (05-10) | 498.99 EUR |

Filter gtv/spider (916) 1.8/2.0 TS



| | | | |
|---|-------|--|-----------|
| 1 | OF519 | filtro aceite 145/6,147,155,156,166, gtv/spider (916), Nuovo GT cartucho roscado | 8.90 EUR |
| 1 | OF352 | Ölfilter gtv/spider (916) TS Anschraubpatrone | 7.18 EUR |
| 1 | OF128 | Ölfilttereinsatz Giulietta 1,8TB/MITO 1,6/BRERA 1,8-2,0 159 1,8/1,9/2,0 | 6.95 EUR |
| 2 | LF93 | Luftfilter 166,gtv/spider (916) ab # 6053907,Nuovo GT 1.8 TS 16V rund | 26.50 EUR |
| 3 | KF86 | filtre carburante 75,164/Super,gtv/ spider (916), roscado | 25.89 EUR |
| 4 | IF309 | filtro antipolen 145/6/155 >96 gtv/spider (916) >98, | 26.91 EUR |
| 5 | IF314 | filtro antipolen 145/6/155 96> gtv/spider (916) 98> | 26.91 EUR |

Filter gtv/spider (916) 2.0 JTS

Oelfilter/Oilfilter

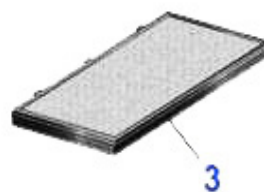


Luftfilter/Airfilter



Kraftstofffilter/Fuelfilter

Innenraumfilter/Indoorfilter

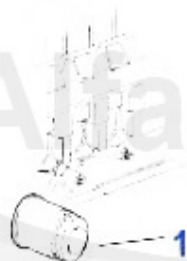


| | | | |
|---|-------|--|-----------|
| 1 | OF519 | filtro aceite 145/6,147,155,156,166, gtv/spider (916), Nuovo GT cartucho roscado | 8.90 EUR |
| 2 | LF93 | Luftfilter 166,gtv/spider (916) ab # 6053907,Nuovo GT 1.8 TS 16V rund | 26.50 EUR |
| 3 | IF309 | filtro antipolen 145/6/155 >96 gtv/spider (916) >98, | 26.91 EUR |

Filter gtv/spider (916) 2.0 V6 Turbo

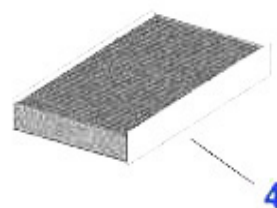
Oelfilter/Oilfilter

Luffilter/Airfilter



Kraftstofffilter/Fuelfilter

Innenraumfilter/Indoorfilter



| | | | |
|---|-------|---|-----------|
| 1 | OF124 | filtro aceite 147,155,156,164,166,gtv/ spider (916),nuovo GT 6-cilindros 90> cartucho roscado | 9.13 EUR |
| 2 | LF280 | filtro aire 145/6/155 >96 gtv/spider (916) >98, | 13.34 EUR |
| 3 | KF86 | filtre carburante 75,164/Super,gtv/ spider (916), roscado | 25.89 EUR |
| 4 | IF314 | filtro antipolen 145/6/155 96> gtv/spider (916) 98> | 26.91 EUR |

Filter gtv/spider (916) 3.0 V6

Oelfilter/Oilfilter



Luftfilter/Airfilter



Kraftstofffilter/Fuelfilter

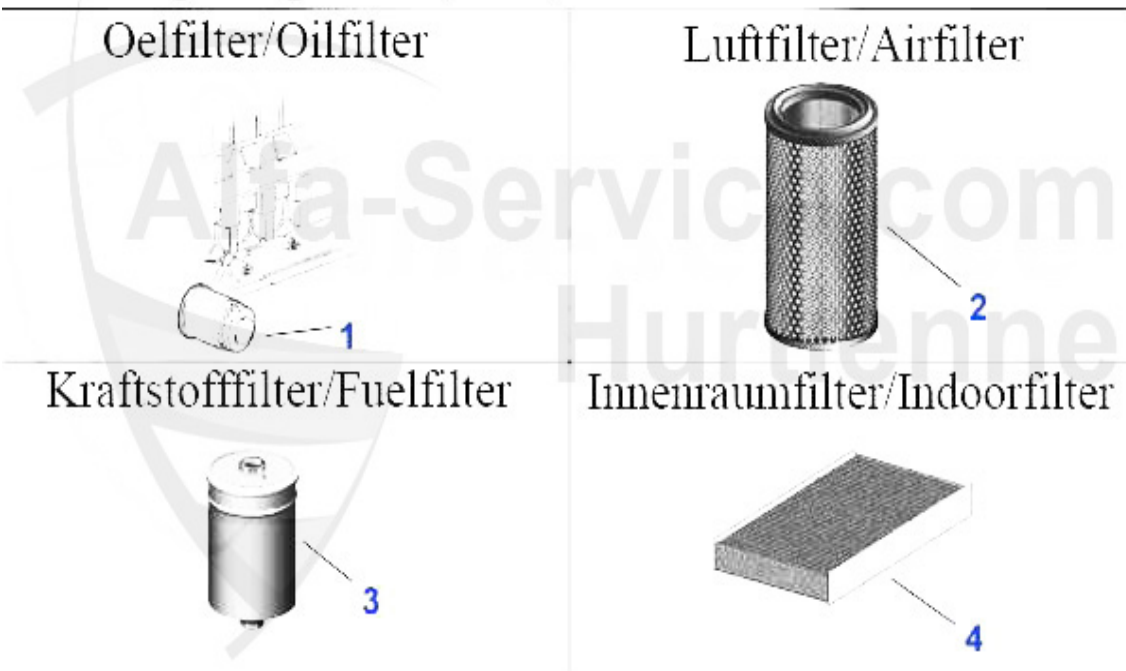


Innenraumfilter/Indoorfilter



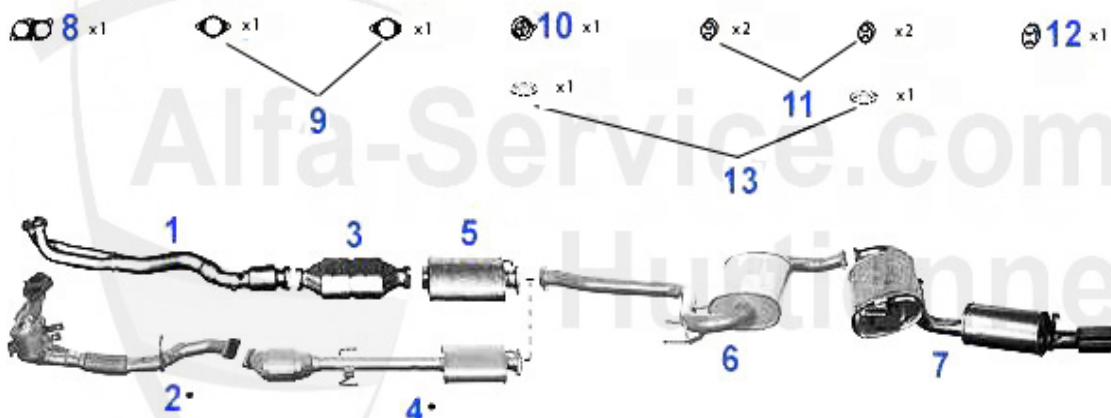
| | | | |
|---|-------|---|-----------|
| 1 | OF124 | filtro aceite 147,155,156,164,166,gtv/ spider (916),nuovo GT 6-cilindros 90> cartucho roscado | 9.13 EUR |
| 2 | LF93 | Luftfilter 166,gtv/spider (916) ab # 6053907,Nuovo GT 1.8 TS 16V rund | 26.50 EUR |
| 3 | KF86 | filtre carburante 75,164/Super,gtv/ spider (916), roscado | 25.89 EUR |
| 4 | IF314 | filtro antipolen 145/6/155 96> gtv/spider (916) 98> | 26.91 EUR |

Filter gtv/spider (916) 3.0/3.2 V6 24V/GTA



| | | | |
|----------|--------------|---|------------------|
| 1 | OF124 | filtro aceite 147,155,156,164,166,gtv/ spider (916),nuovo GT 6-cilindros 90> cartucho roscado | 9.13 EUR |
| 1 | OF128 | Ölfilttereinsatz Giulietta 1,8TB/MITO 1,6/BRERA 1,8-2,0 159 1,8/1,9/2,0 | 6.95 EUR |
| 2 | LF350 | Luftfilter gtv/spider (916) V6 24V | 36.14 EUR |
| 3 | KF86 | filtre carburante 75,164/Super,gtv/ spider (916), roscado | 25.89 EUR |
| 4 | IF314 | filtro antipolen 145/6/155 96> gtv/spider (916) 98> | 26.91 EUR |

Abgasanlage/Exhaust System gtv/spider (916) 1.8/2.0 TS



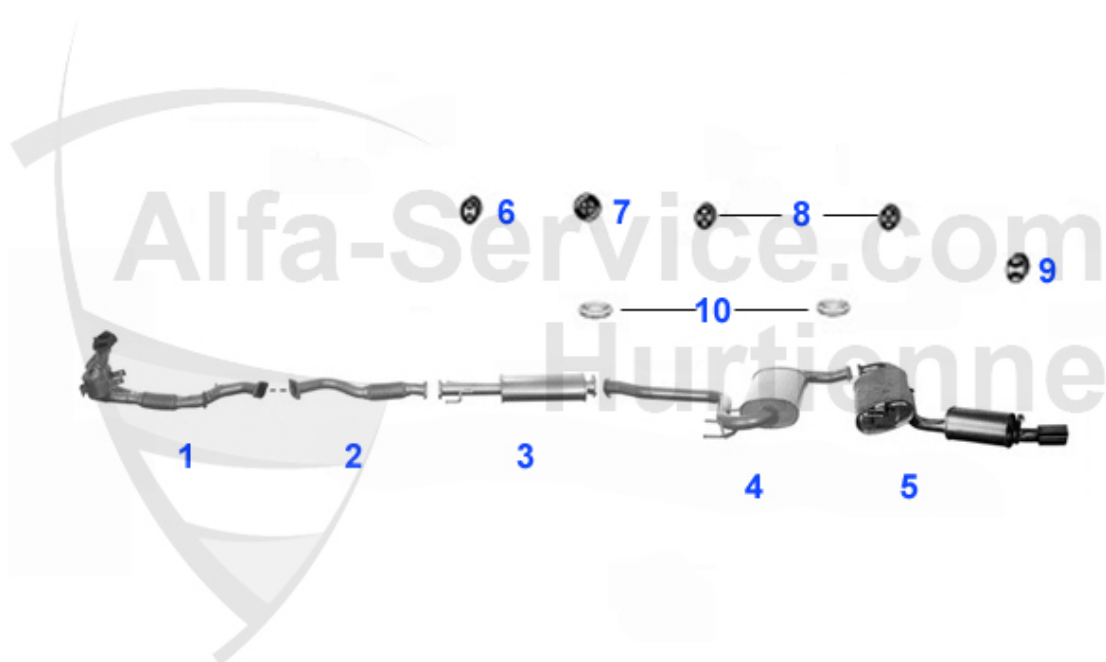
SPIDER / GTV 16V TWIN SPARK 1.8i/2.0i

• 2.0 (EURO 3) (02/02-)

'95-

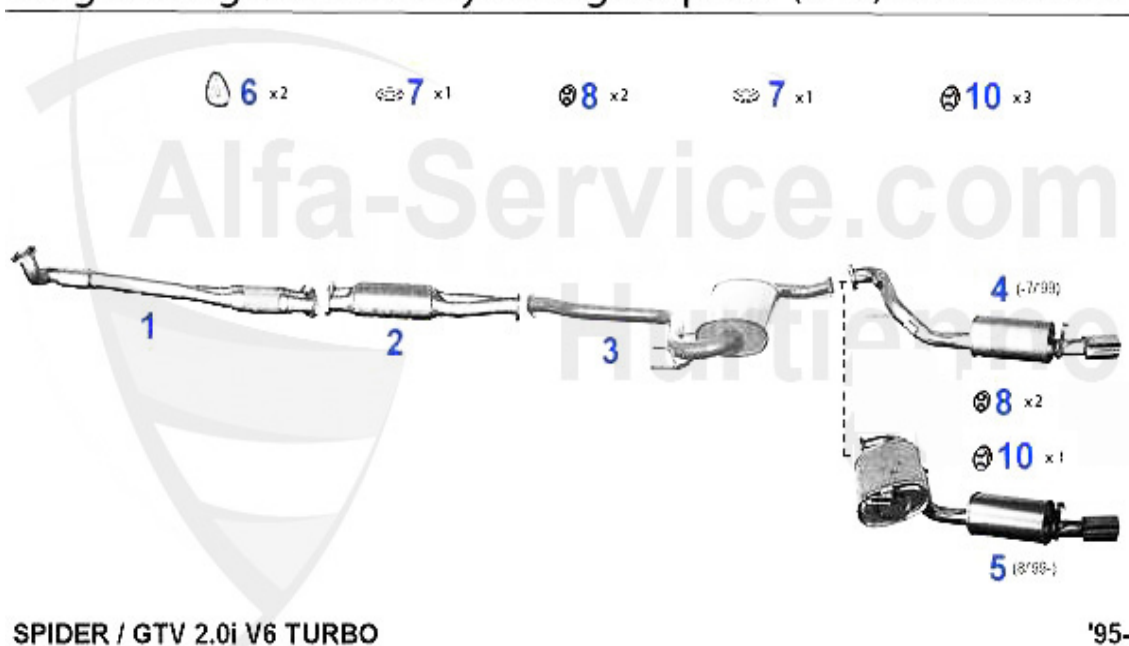
| | | |
|----|--|------------|
| 1 | VSD102101 silenciador primario spider/gtv (916) 1.8 & 2.0 TS 95>145/6,155 2.0 16V TS 95-96 | 188.14 EUR |
| 2 | KAT74780 Katalysator vorne gtv/spider (916) 2.0 TS CF3 > #7014390 Ausführung "MARELLI/DESCAMP" | *** |
| 2 | KAT78256 Katalysator vorne gtv/spider (916) 2.0 TS CF3 > #7014390 Ausführung: "ZEUNA" | *** |
| 3 | KAT113133 catalizador spider/gtv (916) 1.8 & 2.0 TS 95>,155 2.0 ie TS (catalizador y sil. central seperados) | 689.00 EUR |
| 4 | KAT67547 catalizador central GTV/Spider (916) 2.0 TS CF3 | 660.91 EUR |
| 5 | MSD102103vord. Topf gtv/spider (916) 1.8/2.0 TS | 118.00 EUR |
| 6 | MSD102106silenciador centro GTV/Spider 95> | 169.00 EUR |
| 7 | NSD102109 silenciador atrás GTV/Spider (916) 95 > | 215.00 EUR |
| 8 | SAT094474 junta escape primario spider/gtv (916) 145/6,155,156 2.0 TS 16V | 10.77 EUR |
| 9 | SAT094487 junta catalizador spider/gtv (916) | 5.08 EUR |
| 10 | SAT091012 silent bloc/soporte escape | 4.00 EUR |
| 11 | SAT091143 silent bloc/soporte escape spider/gtv (916), 156,166 | 3.53 EUR |
| 12 | SAT091014 silent bloc/soporte escape sil. terminal spider/gtv (916), 155 (92-96) | 4.11 EUR |
| 13 | SAT094003 aro silenciador | 10.50 EUR |

Brera/Spider (939) > escape > escape > 2.0 JTS



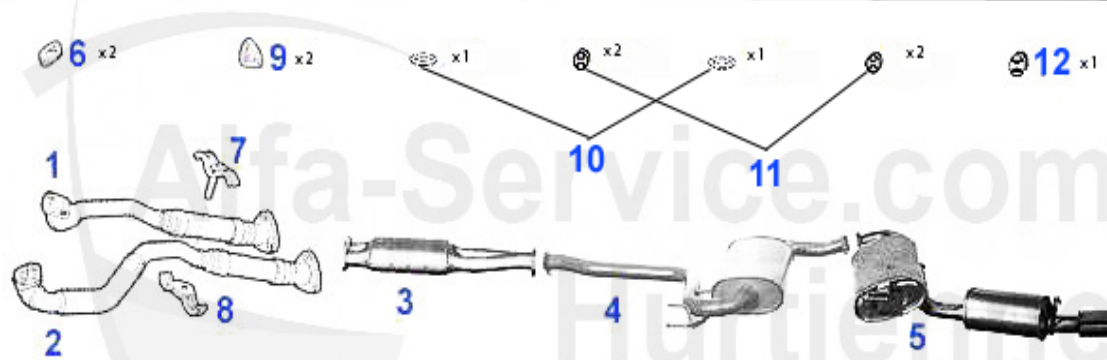
| | | |
|----|--|-------------|
| 1 | KAT84599 catalizador del. GTV/Spider (916)/Nuovo GT 2.0 JTS | 2124.15 EUR |
| 2 | VR116545 tubo primario 156/gtv/spider (916) Nuovo GT 2.0 JTS | 184.65 EUR |
| 3 | KAT83428 Katalysator mitte gtv/spider (916) 2.0 JTS | *** |
| 4 | MSD83429 Mittelschaldämpfer gtv/spider (916) 2.0 JTS | 261.60 EUR |
| 5 | NSD83431 Nachschalldämpfer gtv/spider (916) 2.0 JTS | 399.05 EUR |
| 6 | SAT091140 silent bloc/soporte escape 145/6, ESD 16V TS,155 2.0 16V TS | 4.19 EUR |
| 7 | SAT091012 silent bloc/soporte escape | 4.00 EUR |
| 8 | SAT091143 silent bloc/soporte escape spider/gtv (916), 156,166 | 3.53 EUR |
| 9 | SAT091014 silent bloc/soporte escape sil. terminal spider/gtv (916), 155 (92-96) | 4.11 EUR |
| 10 | SAT094003 aro silenciador | 10.50 EUR |

Abgasanlage/Exhaust System gtv/spider (916) 2.0 V6 Turbo



| | | | |
|----|-----------|---|-------------|
| 1 | VR654442 | Vorderrohr/KAT vorne gtv/spider (916) 2.0 V6 Turbo Bj. 95-98 | *** |
| 1 | VR656242 | Vorderrohr/KAT vorne gtv/spider (916) 2.0 V6 Turbo Bj. 98> | 696.55 EUR |
| 2 | KAT56116 | Katalysator gtv/spider (916) 2.0 V6 Turbo CF2 Bj. 98> | *** |
| 2 | KAT53561 | Katalysator gtv/spider (916) V6 12/24V CF3 | 1277.20 EUR |
| 2 | KAT102233 | Katalysator gtv/spider (916) 3.0 V6 12V & 24V, 2.0 V6 Turbo Bj. >98 CF2 | *** |
| 3 | MSD102106 | silenciador centro GTV/Spider 95> | 169.00 EUR |
| 4 | NSD102207 | Endtopf gtv/spider (916) 2.0 turbo Bj. 95-07.99 | 230.82 EUR |
| 5 | NSD102109 | silenciador atrás GTV/Spider (916) 95 > | 215.00 EUR |
| 6 | SAT573540 | junta tubo primario/catalizador 164 Super, gtv/spider (916) 3.0 V6 | 5.13 EUR |
| 7 | SAT094003 | aro silenciador | 10.50 EUR |
| 8 | SAT091143 | silent bloc/soporte escape spider/gtv (916), 156,166 | 3.53 EUR |
| 10 | SAT091014 | silent bloc/soporte escape sil. terminal spider/gtv (916), 155 (92-96) | 4.11 EUR |

Abgasanlage/Exhaust System gtv/spider (916) 3.0 V6 12V

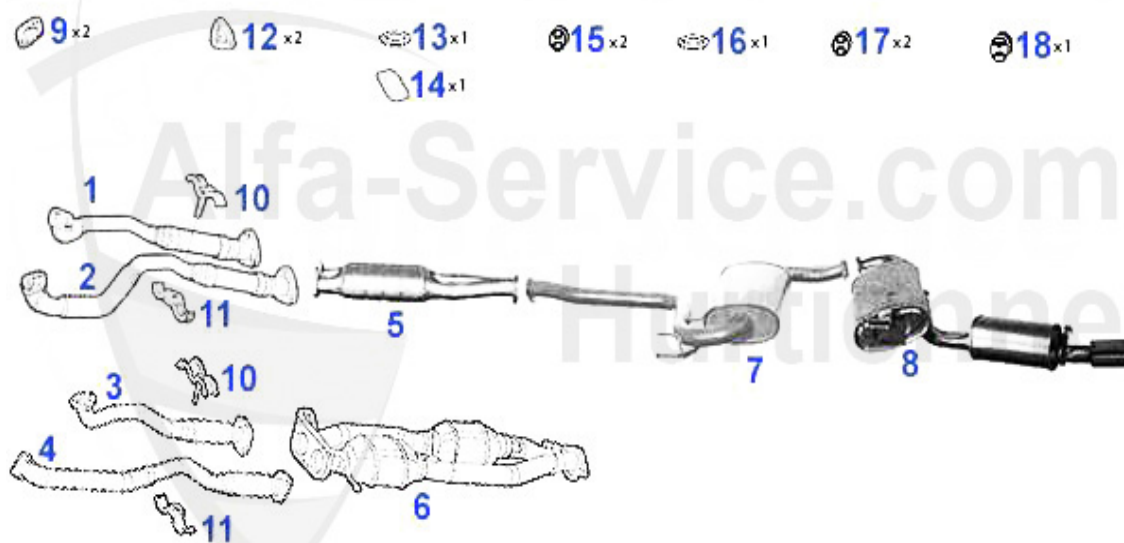


SPIDER 3.0i V6 12V / GTV 3.0i

'95-

| | | | |
|----|-----------|---|-------------|
| 1 | VR656461 | Vorderrohr Re. gtv/spider (916) 3.0 V6 | *** |
| 2 | VR656464 | Vorderrohr Li gtv/spider (916) 3.0 V6 | *** |
| 3 | KAT53561 | Katalysator gtv/spider (916) V6 12/24V CF3 | 1277.20 EUR |
| 3 | KAT102233 | Katalysator gtv/spider (916) 3.0 V6 12V & 24V, 2.0 V6 Turbo Bj. >98 CF2 | *** |
| 4 | MSD102106 | silenciador centro GTV/Spider 95> | 169.00 EUR |
| 5 | NSD102109 | silenciador atrás GTV/Spider (916) 95 > | 215.00 EUR |
| 6 | SAT094414 | junta escape primario 164/Super, RZ,SZ, gtv/spider (916) 3.0 V6 | 4.94 EUR |
| 7 | SAT809014 | Oberteil f. Klemmhalter Vorderrohr 164 Super,gtv/spider (916) 3.0 V6 | *** |
| 8 | SAT809013 | Unterteil f. Klemmhalter Vorderrohr 164 Super,gtv/spider (916) 3.0 V6 | *** |
| 9 | SAT573540 | junta tubo primario/catalizador 164 Super, gtv/spider (916) 3.0 V6 | 5.13 EUR |
| 10 | SAT094003 | aro silenciador | 10.50 EUR |
| 11 | SAT091143 | silent bloc/soporte escape spider/gtv (916), 156,166 | 3.53 EUR |
| 12 | SAT091014 | silent bloc/soporte escape sil. terminal spider/gtv (916), 155 (92-96) | 4.11 EUR |

Abgasanlage/Exhaust System gtv/spider (916) 3.0 V6 24V

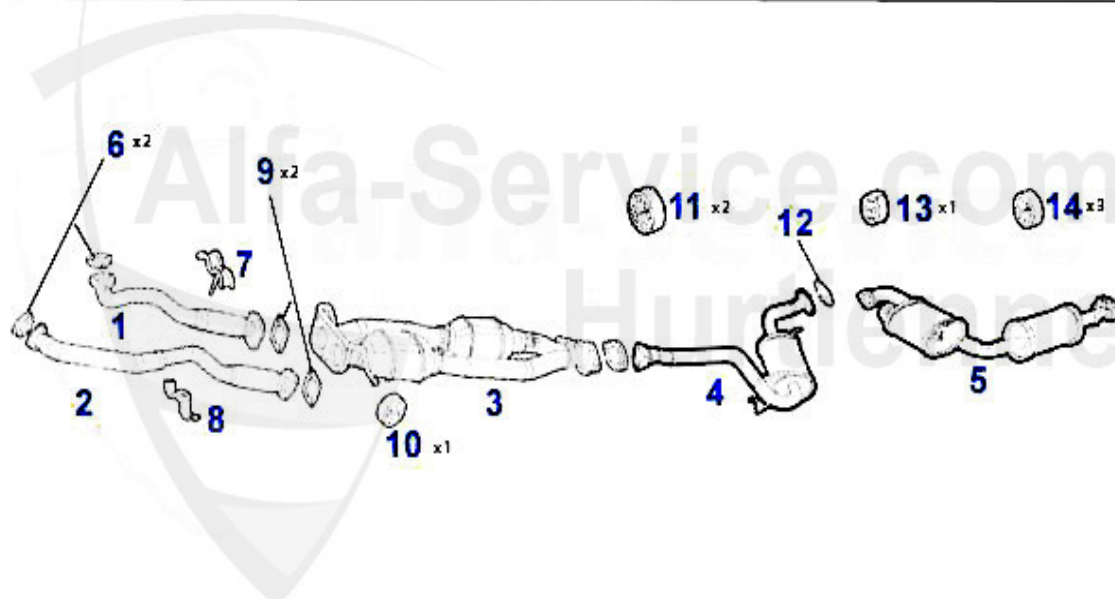


gtv/spider (916) 3.0 V6 24V

'95-

| | | | |
|----|-----------|---|-------------|
| 1 | VR620490 | Vorderrohr Re gtv (916) 3.0 V6 24V Bj. 95-98 | 428.40 EUR |
| 1 | VR656119 | Vorderrohr Re gtv (916) 3.0 V6 24V CF2 Bj. 98> | 320.00 EUR |
| 2 | VR658028 | Vorderrohr Li gtv (916) 3.0 V6 24V | 416.50 EUR |
| 3 | VR69658 | tubo primario der. 147,156,gtv/spider (916), Nuovo GT V6 24V CF3/GTA | 265.70 EUR |
| 4 | VR69659 | tubo primario izq. 147,156,gtv/spider (916), Nuovo GT V6 24V CF3/GTA | 327.25 EUR |
| 5 | KAT102233 | Katalysator gtv/spider (916) 3.0 V6 12V & 24V, 2.0 V6 Turbo Bj. >98 CF2 | *** |
| 6 | KAT70380 | Katalysator gtv/spider (916) 3.0/3.2 V6 24V CF3 | 1064.85 EUR |
| 7 | MSD102106 | silenciador centro GTV/Spider 95> | 169.00 EUR |
| 8 | NSD102109 | silenciador atrás GTV/Spider (916) 95 > | 215.00 EUR |
| 9 | SAT54239 | junta tubo primario 156,164 Super,166 gtv/spider (916) V6 24V | 10.14 EUR |
| 10 | SAT809014 | Oberteil f. Klemmhalter Vorderrohr 164 Super,gtv/spider (916) 3.0 V6 | *** |
| 11 | SAT809013 | Unterteil f. Klemmhalter Vorderrohr 164 Super,gtv/spider (916) 3.0 V6 | *** |
| 12 | SAT573540 | junta tubo primario/catalizador 164 Super, gtv/spider (916) 3.0 V6 | 5.13 EUR |
| 13 | SAT094003 | aro silenciador | 10.50 EUR |
| 14 | SAT094484 | junta sil. primario/catalizador | 9.75 EUR |
| 15 | SAT091143 | silent bloc/soporte escape spider/gtv (916), 156,166 | 3.53 EUR |
| 16 | SAT091014 | silent bloc/soporte escape sil. terminal spider/gtv (916), 155 (92-96) | 4.11 EUR |

Abgasanlage/Exhaust System gtv/spider (916) 3.2 V6 24V/GTA

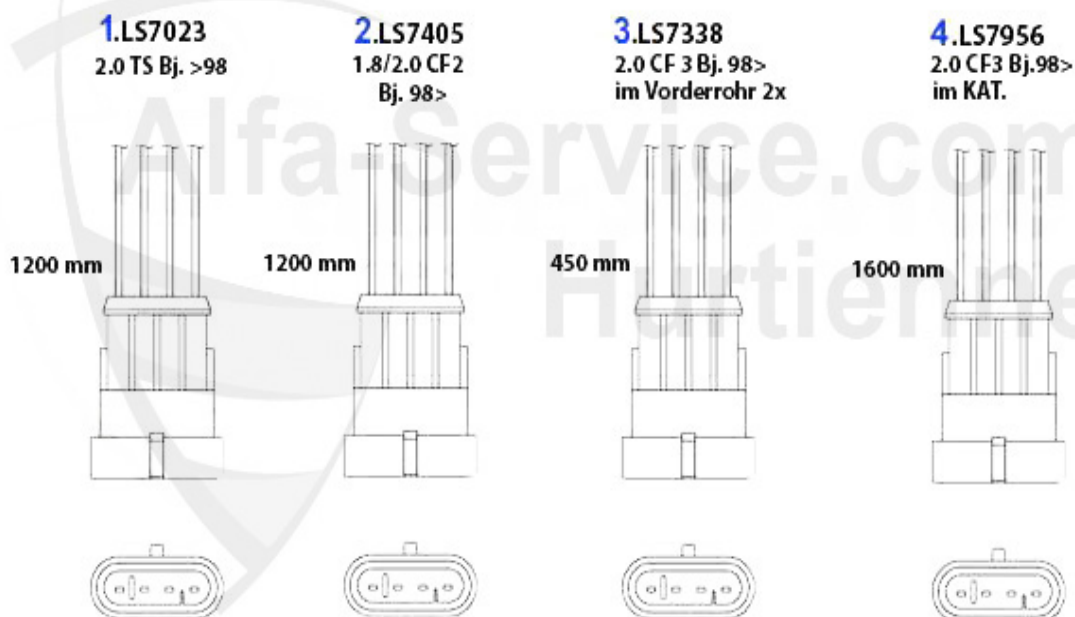


gtv/spider (916) 3.2/GTA

'03-

| | | | |
|----|-----------|--|-------------|
| 1 | VR69658 | tubo primario der. 147,156,gtv/spider (916), Nuovo GT V6 24V CF3/GTA | 265.70 EUR |
| 2 | VR69659 | tubo primario izq. 147,156,gtv/spider (916), Nuovo GT V6 24V CF3/GTA | 327.25 EUR |
| 3 | KAT70380 | Katalysator gtv/spider (916) 3.0/3.2 V6 24V CF3 | 1064.85 EUR |
| 4 | MSD84807 | Mittelschalldämpfer gtv/spider 3.2 V6 24V | *** |
| 5 | NSD84808 | Nachschalldämpfer gtv/spider (916) 3.2 V6 24V | *** |
| 6 | SAT54239 | junta tubo primario 156,164 Super,166 gtv/spider (916) V6 24V | 10.14 EUR |
| 7 | SAT809014 | Oberteil f. Klemmhalter Vorderrohr 164 Super,gtv/spider (916) 3.0 V6 | *** |
| 8 | SAT809013 | Unterteil f. Klemmhalter Vorderrohr 164 Super,gtv/spider (916) 3.0 V6 | *** |
| 9 | SAT573540 | junta tubo primario/catalizador 164 Super, gtv/spider (916) 3.0 V6 | 5.13 EUR |
| 10 | SAT091012 | silent bloc/soporte escape | 4.00 EUR |
| 11 | SAT091031 | silent bloc/soporte escape 164 Super Turbo | 4.00 EUR |
| 12 | SAT094484 | junta sil. primario/catalizador | 9.75 EUR |
| 13 | SAT091014 | silent bloc/soporte escape sil. terminal spider/gtv (916), 155 (92-96) | 4.11 EUR |
| 14 | SAT091143 | silent bloc/soporte escape spider/gtv (916), 156,166 | 3.53 EUR |

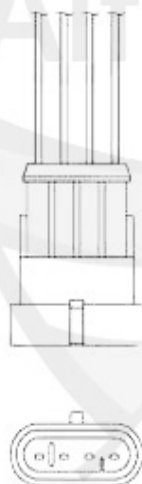
Lambda-Sonde/Lambda Probe gtv/spider (916) 1.8/2.0 TS



| | | | |
|---|--------|--|------------|
| 1 | LS7023 | sonda Lambda 145/6 2.0 16V TS 11.96> 156 1.6 16V TS>#0023373,164 Super 2.0 TS 3.0 V6/24V 10.96>,spider,gtv(916) 2.0 TS 3.0 V6/24V | 78.99 EUR |
| 2 | LS7405 | sonda Lambda 145/9 1.4/1.6/1.8/16V TS/2.0 QV, 156 1.6 16V TS #0023373> 156 1.8/2.0/16V TS/2.5 V6 24V,166 V6 spider/gtv (916) 1.8/ +4vias | 127.00 EUR |
| 3 | LS7956 | Lambda-Sonde gtv/spider (916) 2.0 16V TS bj. 08.00>,4-adrig | 165.41 EUR |

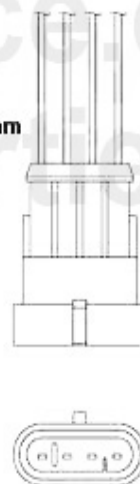
Lambda-Sonde/Lambda Probe gtv/spider (916) 2.0 JTS

1.LS811311
im Vorderrohr 2x



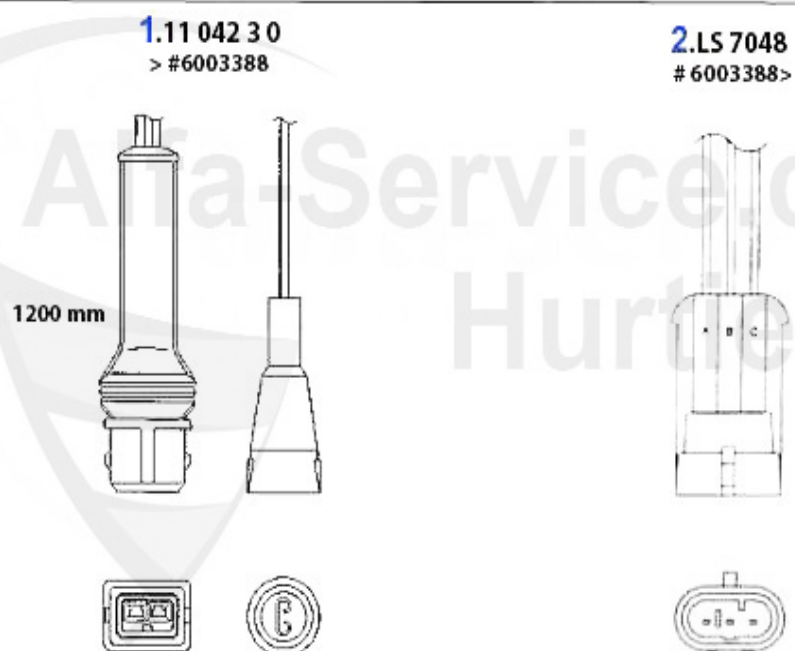
2.LS7212
im KAT.

650 mm



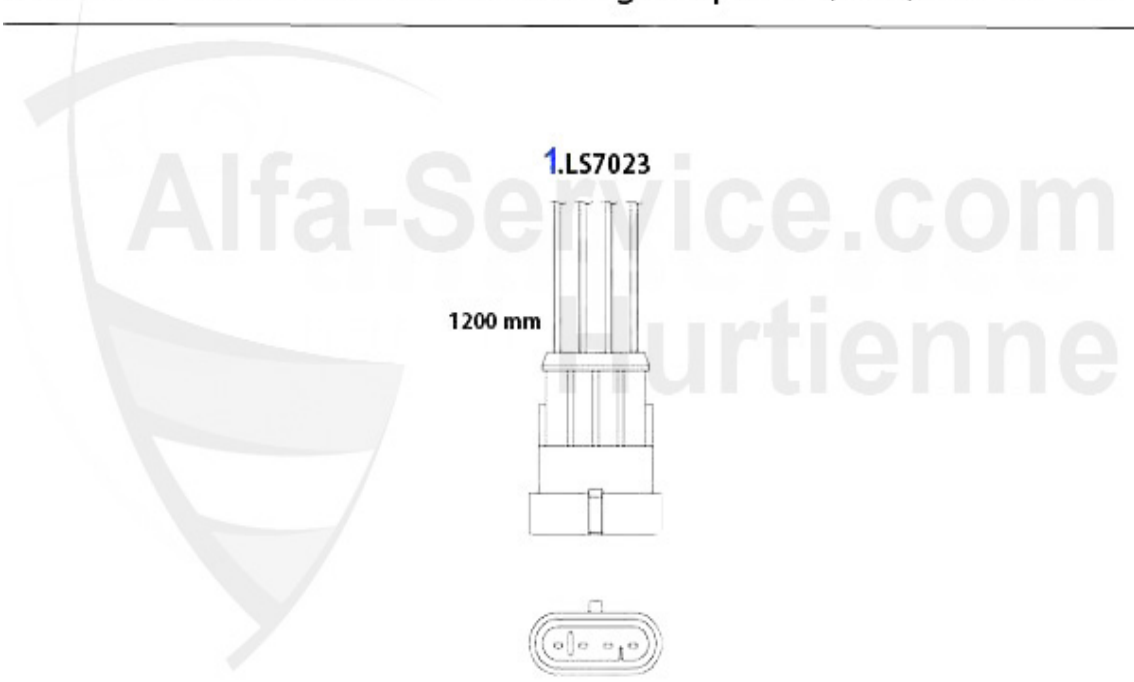
| | | | |
|---|----------|--|------------|
| 1 | LS811311 | sonda Lambda 156,166,gtv/spider (916) Nuovo GT 2.0 TS CF3/ JTS >05.2005 | 149.00 EUR |
| 2 | LS7212 | sonda Lambda 147 1.6 16V TS, 156 2.0 JTS 2.5 V, 166 2.0 TS,gtv/spider (916) 3.0 V6 24V, 4 vias | 66.00 EUR |

Lambda-Sonde/Lambda Probe gtv/spider (916) 2.0 V6 Turbo



| | | | |
|---|------------|--|------------|
| 1 | 11 042 3 0 | sonda Lambda 75 1.8/2.0 TS, 3,0 TS, V6/ QV > 92, 164 Super 2.0 V6 Turbo, GTV (916), 2.0 V6 Turbo, Spider 2.0 90-93, RZ SZ 3 vias | 95.00 EUR |
| 2 | LS7048 | Lambda-Sonde gtv/spider (916) 2.0 V6 turbo, 3-adrig | 128.23 EUR |

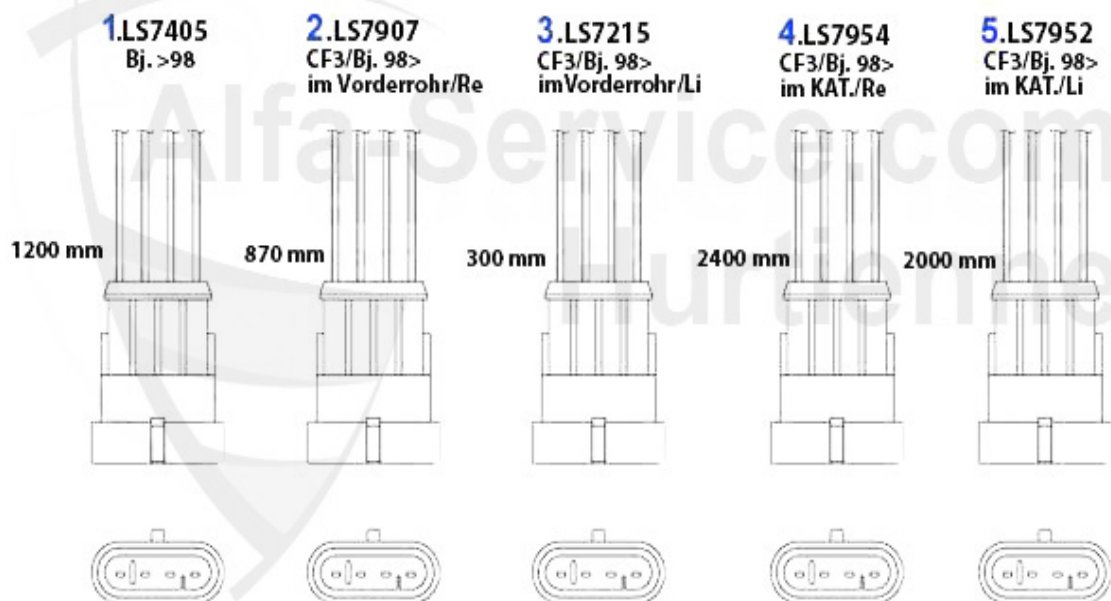
Lambda-Sonde/Lambda Probe gtv/spider (916) 3.0V6 12V



1 LS7023 sonda Lambda 145/6 2.0 16V TS 11.96> 156 1.6 16V TS>#0023373,164
Super 2.0 TS 3.0 V6/24V 10.96>,spider,gtv(916) 2.0 TS 3.0 V6/24V

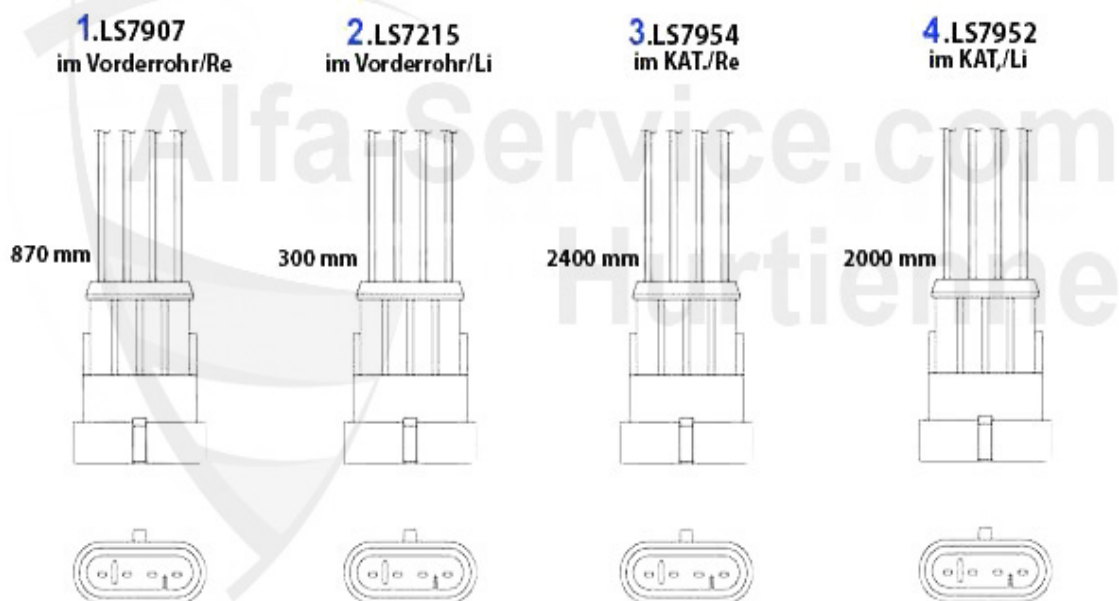
78.99 EUR

Lambda-Sonde/Lambda Probe gtv/spider (916) 3.0V6 24V



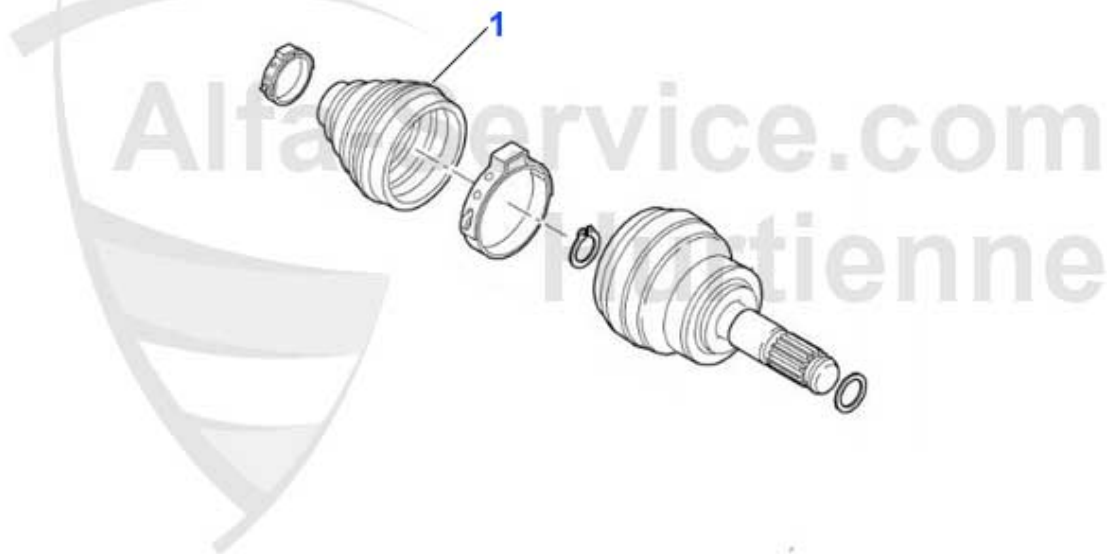
| | | | |
|----------|---------------|---|-------------------|
| 1 | LS7405 | sonda Lambda 145/9 1.4/1.6/1.8/16V TS/2.0 QV, 156 1.6 16V TS #0023373> 156 1.8/2.0/16V TS/2.5 V6 24V, 166 V6 spider/gtv (916) 1.8/ +4vias | 127.00 EUR |
| 2 | LS7907 | sonda Lambda 147 GTA, 156 2.5 V6 24V 10.00>/3.2 GTA, gtv/spider (916) 3.2 V6 24V, GT Nuovo 3.2 V6 24V 4vias | 108.00 EUR |
| 3 | LS7215 | Lambda-Sonde 147 1.6 16V TS ECO, 3.2 V6 24V GTA 166 2.5/3.0 V6 24 V, spider (916) 3.0 V6 bj. 10.00>, 4-adrig | 111.82 EUR |
| 4 | LS7954 | sonda Lambda 147 GTA, 156 2.5 V6 24V 01.02>/3.2 GTA 03.02>, 166 3.2 V6 24V, gtv/spider (916) 3.2 V6 24V, GT Nuovo 3.2 V6 24V, 4 vias | 109.00 EUR |
| 5 | LS7952 | sonda Lambda 147 GTA, 156 2.5 V6 24V 01.02>/3.2 GTA, GT Nuovo 3.2 V6 24V, gtv, spider 3.2 V6 24V, 4 vias | 99.00 EUR |

Lambda-Sonde/Lambda Probe gtv/spider (916) 3.02 V6 24V/GTA



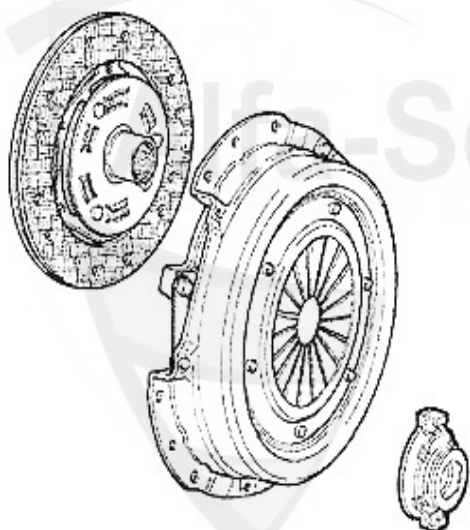
| | | | |
|---|--------|--|------------|
| 1 | LS7907 | sonda Lambda 147 GTA, 156 2.5 V6 24V 10.00>/3.2 GTA, gtv/spider (916) 3.2 V6 24V, GT Nuovo 3.2 V6 24V 4vias | 108.00 EUR |
| 2 | LS7215 | Lambda-Sonde 147 1.6 16V TS ECO, 3.2 V6 24V GTA 166 2.5/3.0 V6 24 V, spider (916) 3.0 V6 bj. 10.00>, 4-adrig | 111.82 EUR |
| 3 | LS7954 | sonda Lambda 147 GTA, 156 2.5 V6 24V 01.02>/3.2 GTA 03.02>, 166 3.2 V6 24V, gtv/spider (916) 3.2 V6 24V, GT Nuovo 3.2 V6 24V, 4 vias | 109.00 EUR |
| 4 | LS7952 | sonda Lambda 147 GTA, 156 2.5 V6 24V 01.02>/3.2 GTA, GT Nuovo 3.2 V6 24V, gtv, spider 3.2 V6 24V, 4 vias | 99.00 EUR |

Brera/Spider (939) > transmision > eje transmisión > 2.4 JTD



| | | |
|---|--|-----------|
| 1 | AMS15480-2Achsmanschette AR159 2,4JTD/Brera ab05,Spider ab06 (Radseitig) | 22.00 EUR |
| 1 | AMS15480-1Achsmanschette AR159 1,8 Radseite | 13.99 EUR |
| 1 | AMS15480 Achsmanschette AR159 1,9/2,2/1,9JT D/ Radseite (Brera ab05 +Spider ab 06/ | 17.90 EUR |

Kupplungs-Kit/Clutch Set gtv/spider (916) 1.8/2.0 TS

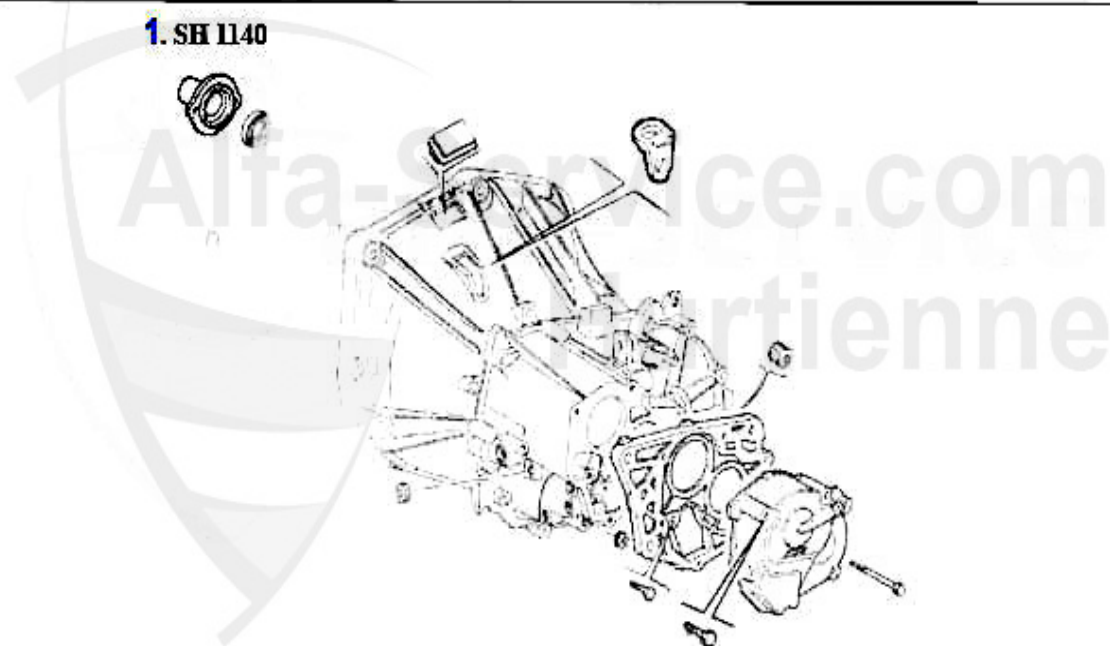


1. KK 576001
Ø 215 mm
1.8 TS

2. KK 789001
Ø 230 mm
2.0 TS

| | | | |
|---|----------|---|------------|
| 1 | KK576001 | kit embrague 145/6 1.4/1.6/1.8 TS, gtv/spider (916)/155 1.6/1.8 TS 16V, 2.0 TS 8V 92-99 | 199.00 EUR |
| 2 | KK789001 | kit embrague 145/9,155 2.0 TS 16V gtv/spider (916) 2.0 TS 95-01 | 269.00 EUR |

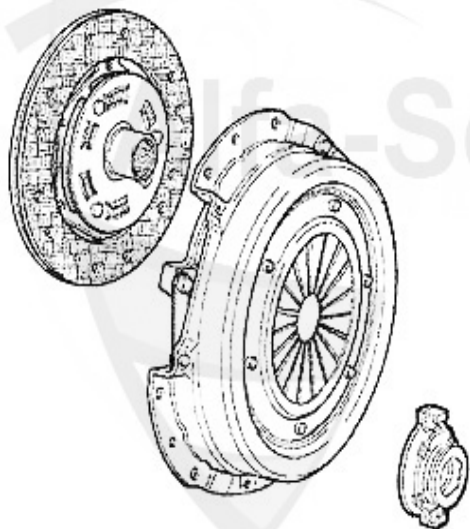
Ausrücker/Sleeve Bearing gtv/spider (916) 1.8/2,0 TS



1 FH1140 guia para cojinete 145/6,147,155,156, gtv/spider (916)

19.49 EUR

Kupplungs-Kit/Clutch Set gtv/spider (916) 2.0 JTS

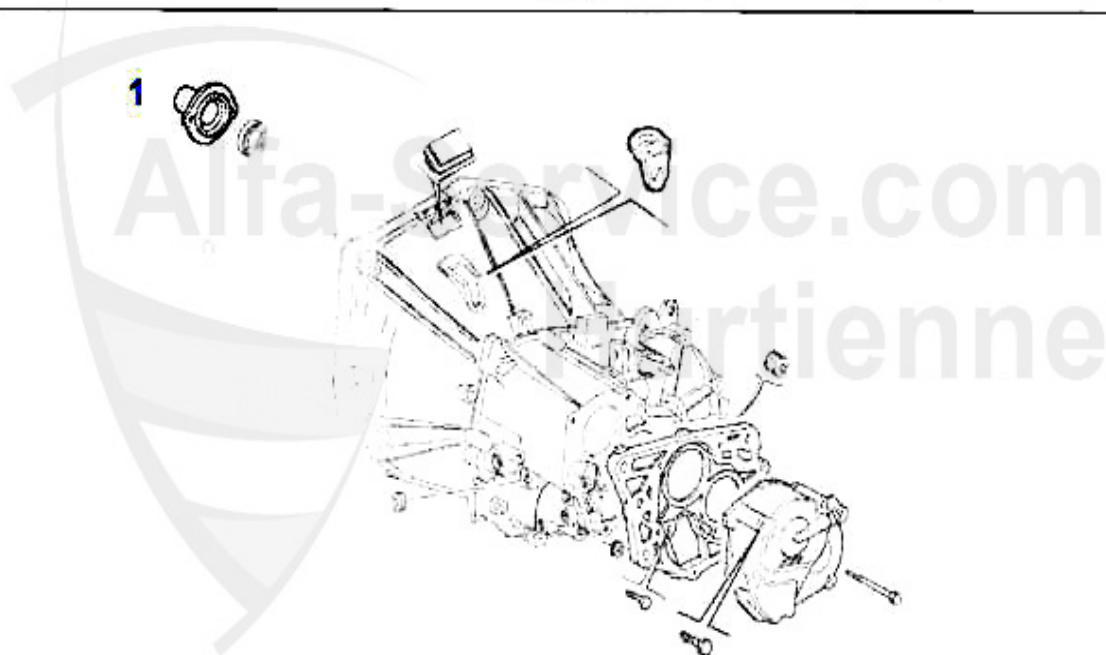


1. KK 190116
Ø 230 mm

1 KK190116 Kupplungs-Kit gtv/spider 2.0 JTS Nuovo GT 2.0 JTS (mit Selespeed)

324.73 EUR

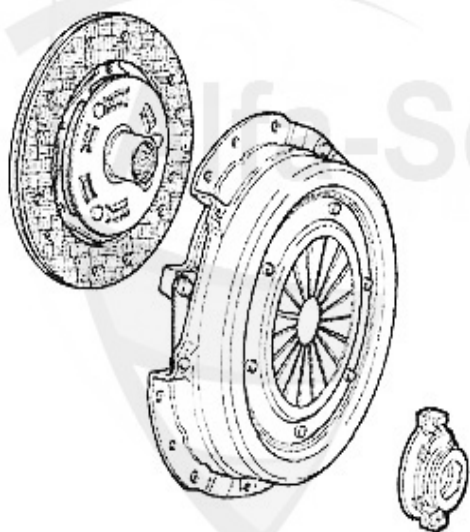
Ausrücker/Sleeve Bearing gtv/spider (916) 2.0 JTS



1 FH1140 guia para cojinete 145/6,147,155,156, gtv/spider (916)

19.49 EUR

Kupplungs-Kit/Clutch Set gtv/spider (916) 2.0 V6 Turbo



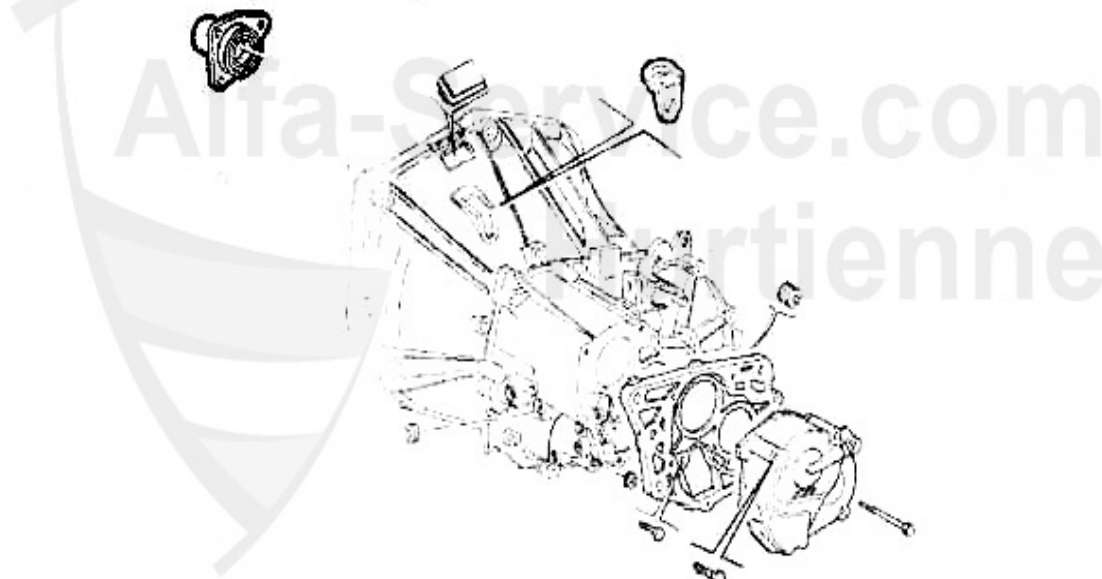
1. KK 790001
Ø 230 mm
gtv Bj >98

2. KK 727001
Ø 235 mm
gtv/spider Bj. 98>

| | | | |
|---|----------|--|------------|
| 1 | KK790001 | Kupplungs-Kit spider (916) 3.0 V6 Bj. 06.95-12.98, gtv (916) 2.0 V6 Turbo Bj. >98 | 412.55 EUR |
| 2 | KK727001 | kit embrague 155,164 V6 varios 92-98 tambien Diesel gtv/spider (916) 2.0 V6 Turbo/3.0 V6 12V 98>, gtv (916) 3.0 V6 24V 95-98 | 355.00 EUR |

Ausrücker/Sleeve Bearing gtv/spider (916) 2.0 V6 Turbo

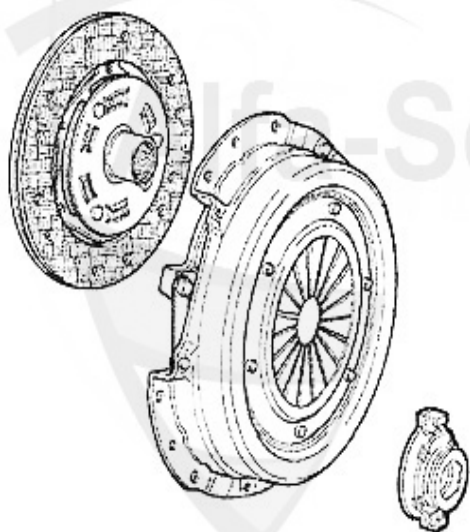
1. FH 11951



1 FH11951 guia para cljinete 3 orificios 145/6, 147,155,164/Super,gtv/spider (916),
Nuovo GT

79.00 EUR

Kupplungs-Kit/Clutch Set gtv/spider (916) 3.0 V6 12V



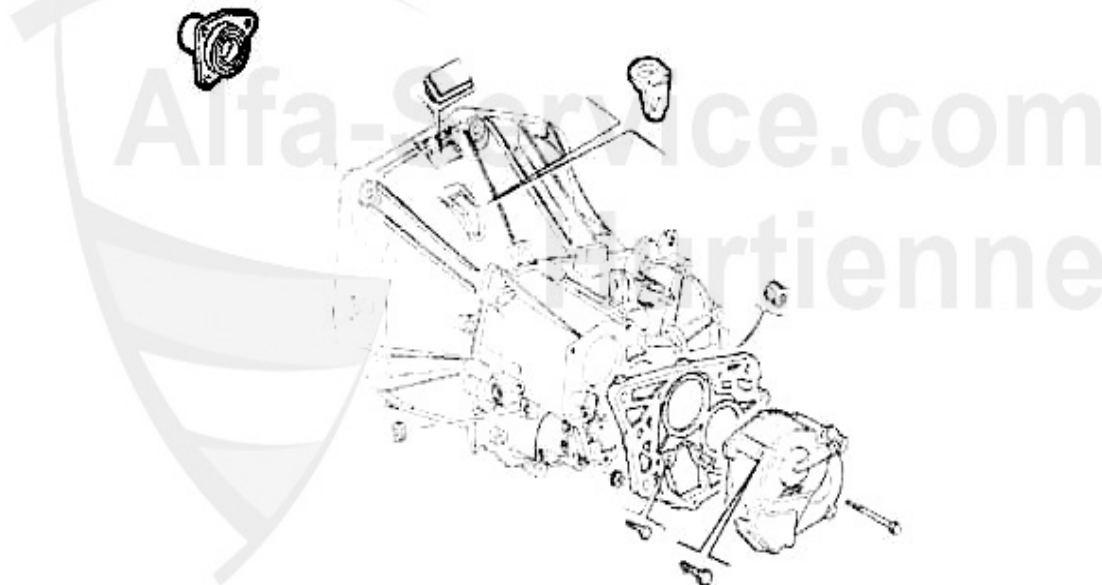
1. KK 790001
Ø 230 mm
Bj.>98

2. KK 727001
Ø 235 mm
Bj. 98>

| | | | |
|---|----------|--|------------|
| 1 | KK790001 | Kupplungs-Kit spider (916) 3.0 V6 Bj. 06.95-12.98, gtv (916) 2.0 V6 Turbo Bj. >98 | 412.55 EUR |
| 2 | KK727001 | kit embrague 155,164 V6 varios 92-98 tambien Diesel gtv/spider (916) 2.0 V6 Turbo/3.0 V6 12V 98>, gtv (916) 3.0 V6 24V 95-98 | 355.00 EUR |

Ausrücker/Sleeve Bearing gtv/spider (916) 3.0 V6 12V

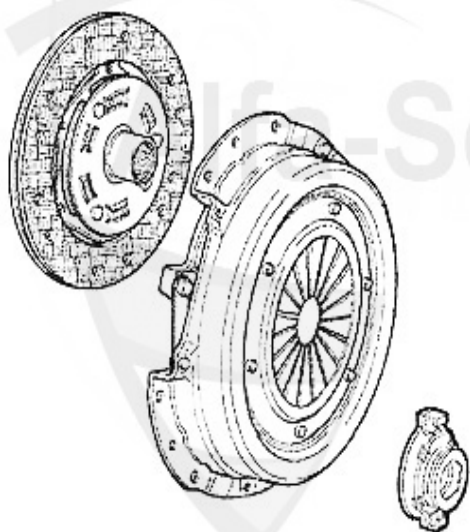
1. FH 11951



1 FH11951 guia para cljinete 3 orificios 145/6, 147,155,164/Super,gtv/spider (916),
Nuovo GT

79.00 EUR

Kupplungs-Kit/Clutch Set gtv/spider (916) 3.0 V6 24V



1. KK 727001

Ø 235 mm

gtv Bj. >98

2. KK 735943

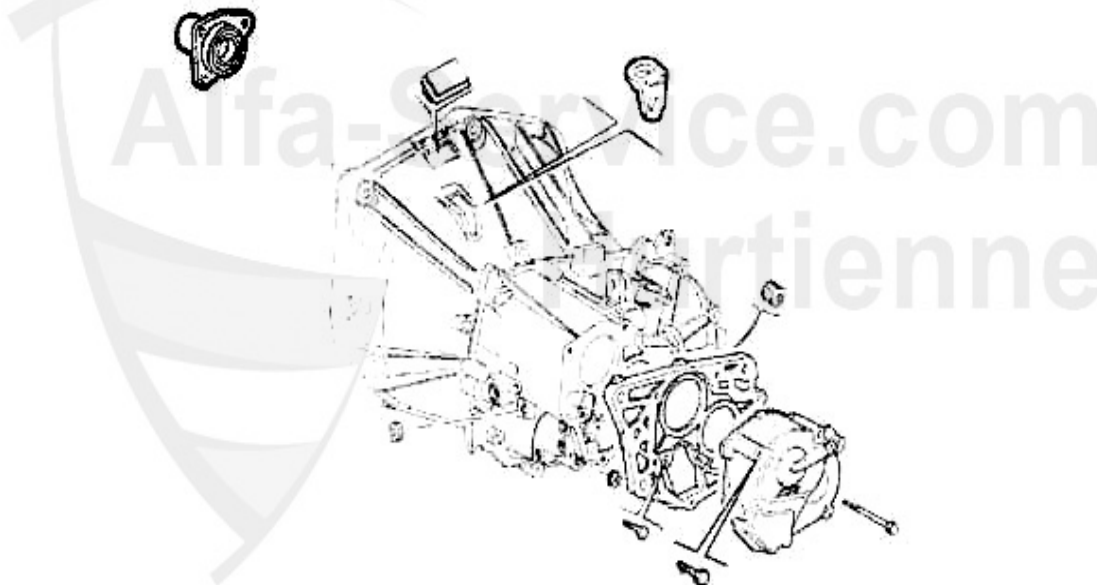
Ø 235 mm

gtv/spider Bj. 98>

| | | | |
|---|----------|--|------------|
| 1 | KK727001 | kit embrague 155,164 V6 varios 92-98 tambien Diesel gtv/spider (916) 2.0 V6 Turbo/3.0 V6 12V 98>, gtv (916) 3.0 V6 24V 95-98 | 355.00 EUR |
| 2 | KK735943 | Kupplungs-Kit 166,gtv/spider (916) 3.0 V6 24V Bj. 98> | 368.28 EUR |

Ausrücker/Sleeve Bearing gtv/spider (916) 3.0 V6 24V

1. FH 11951

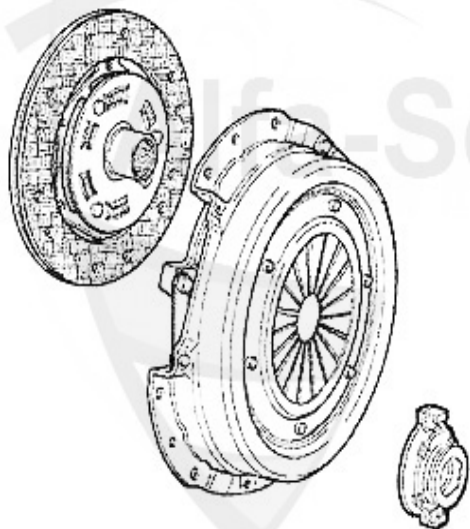


1 FH11951 guia para cljinete 3 orificios 145/6, 147,155,164/Super,gtv/spider (916),
Nuovo GT

79.00 EUR

Brera/Spider (939) > transmission > embrague > kit embrague 3.2 V6 24V

Kupplungs-Kit/Clutch Set gtv/spider (916) 3.2 V6 24V



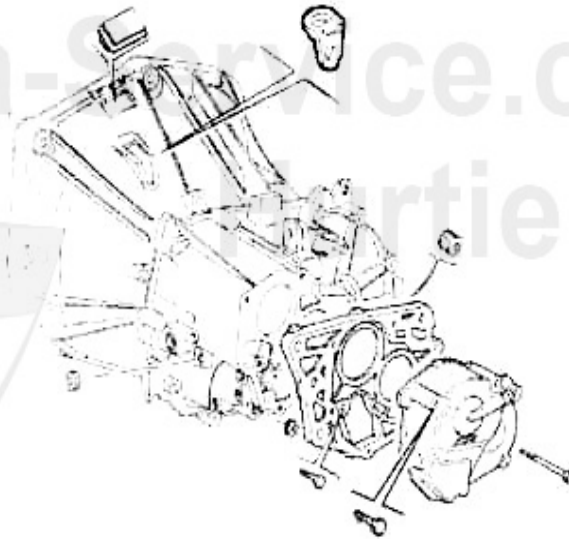
1. KK 739521
Ø 235 mm

1 KK739521 kit embrague 147,156, Nuovo GT, gtv/spider (916) 3.2 V6 24V

559.36 EUR

Ausrücker/Sleeve Bearing gtv/spider (916) 3.2 V6 24V

1. FH 11951

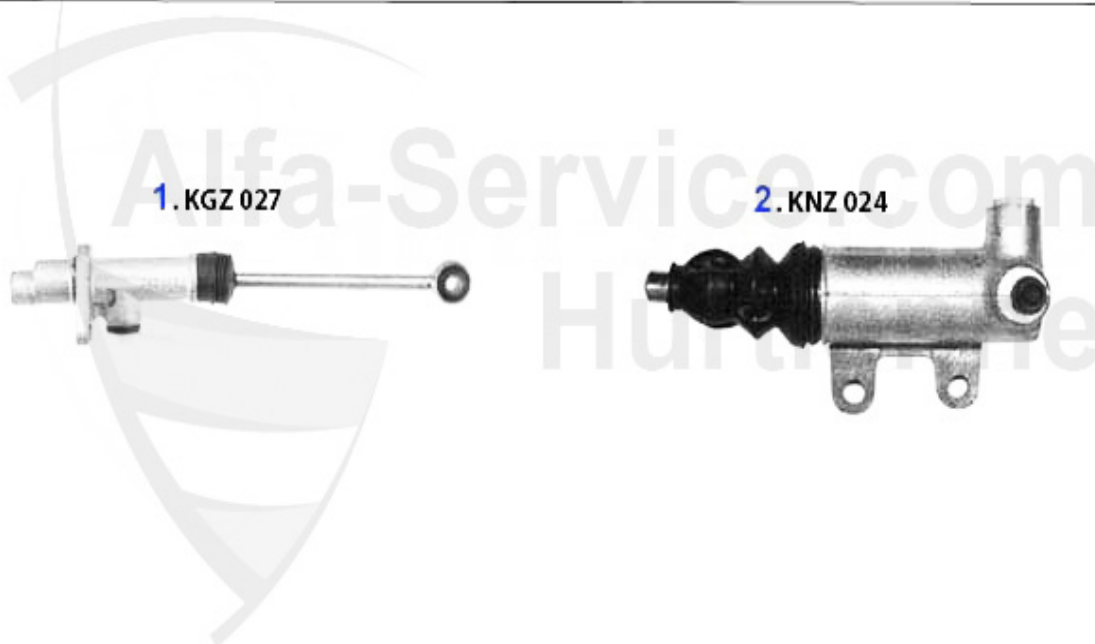


| | | |
|----------|----------------|---|
| 1 | FH11951 | guia para clijnete 3 orificios 145/6, 147,155,164/Super,gtv/spider (916), Nuovo GT |
|----------|----------------|---|

79.00 EUR

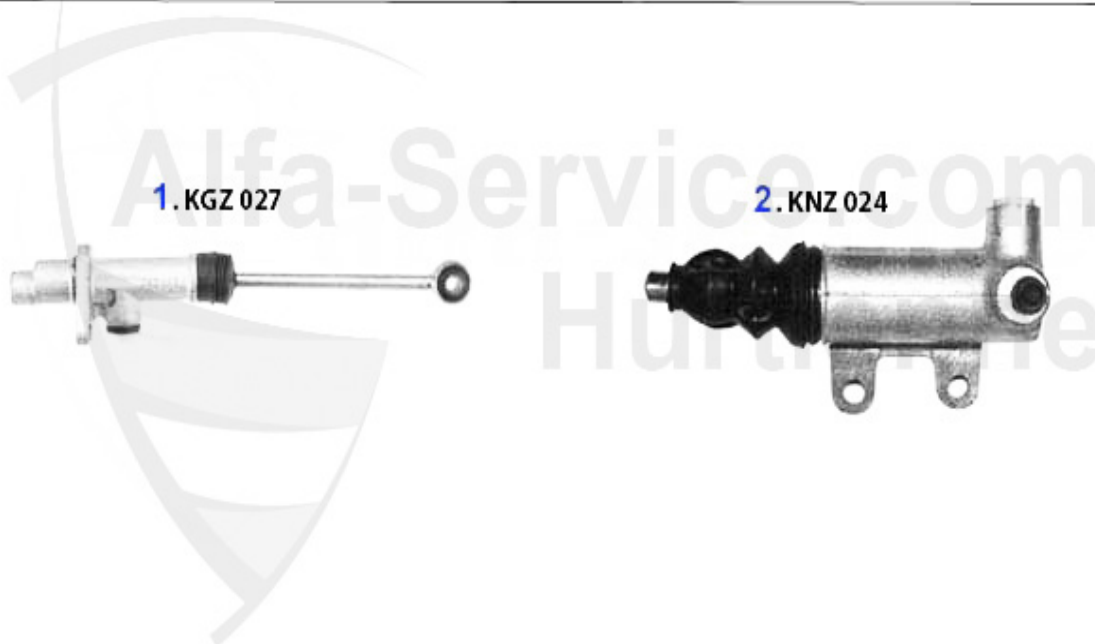
Brera/Spider (939) > transmission > mando embrague > 1.8/2.0 TS

Kupplungsbetätigung/Clutch Actuation gtv/spider (916) 1.8/2.0 TS



| | | | |
|---|--------|--|-----------|
| 1 | KGZ027 | cilindro emisor embr. 145/6,155, gtv/spider (916) | 89.00 EUR |
| 2 | KNZ008 | bombin embrague Sud/Sprint,33 (905/7) 145/6, 1.4,1.6,1.7, 16V,156,gtv/spider (916) fijacion por clip | 59.00 EUR |
| 2 | KNZ024 | bombin embraque 145/6,155 #0075933>, gtv/spider (916) 7.95> | 49.90 EUR |

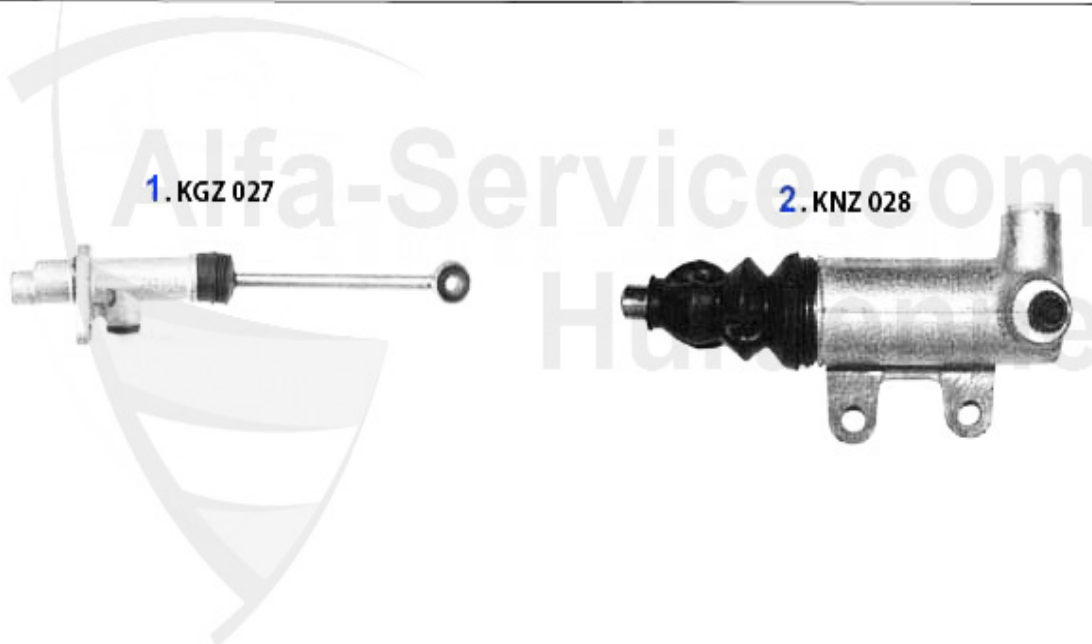
Kupplungsbetätigung/Clutch Actuation gtv/spider (916) 2.0 JTS



| | | | |
|---|--------|--|-----------|
| 1 | KGZ027 | cilindro emisor embr. 145/6,155, gtv/spider (916) | 89.00 EUR |
| 2 | KNZ008 | bombin embrague Sud/Sprint,33 (905/7) 145/6, 1.4,1.6,1.7, 16V,156,gtv/spider (916) fijacion por clip | 59.00 EUR |
| 2 | KNZ024 | bombin embraque 145/6,155 #0075933>, gtv/spider (916) 7.95> | 49.90 EUR |

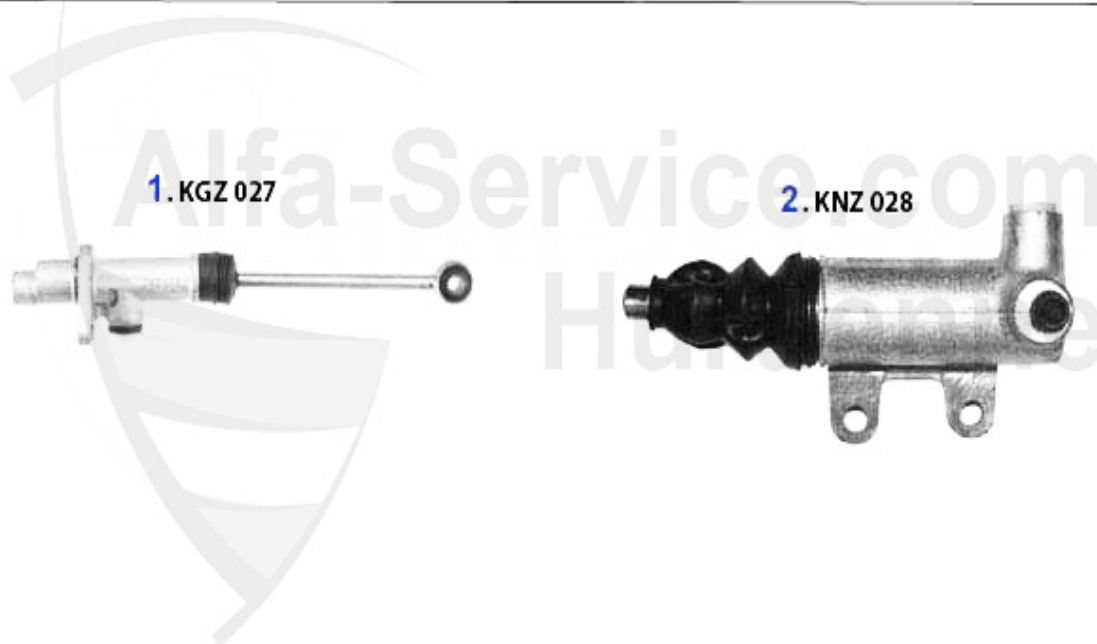
Brera/Spider (939) > transmision > mando embrague > 2.0 V6 Turbo

Kupplungsbetätigung/Clutch Actuation gtv/spider (916) 2.0 V6 Turbo



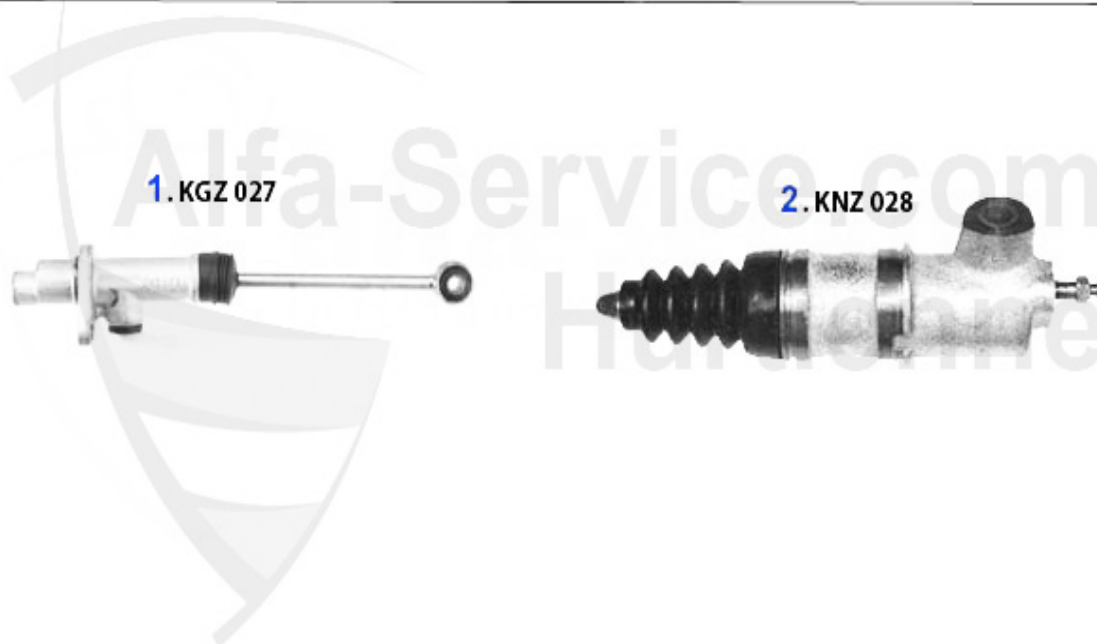
| | | | |
|---|--------|--|-----------|
| 1 | KGZ027 | cilindro emisor embr. 145/6,155, gtv/spider (916) | 89.00 EUR |
| 2 | KNZ028 | bombin embrague 145/6,155,156,164, gtv/spider (916) | 51.50 EUR |
| 2 | KNZ008 | bombin embrague Sud/Sprint,33 (905/7) 145/6, 1.4,1.6,1.7, 16V,156,gtv/spider (916) fijacion por clip | 59.00 EUR |

Kupplungsbetätigung/Clutch Actuation gtv/spider (916) 3.0 V6 12V



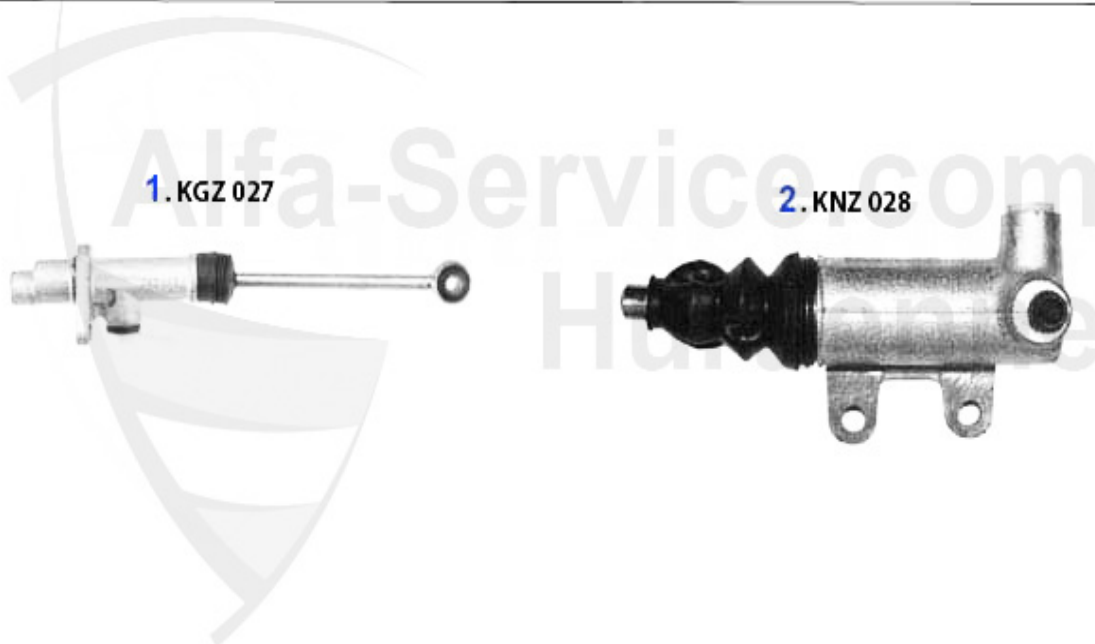
| | | | |
|---|--------|--|-----------|
| 1 | KGZ027 | cilindro emisor embr. 145/6,155, gtv/spider (916) | 89.00 EUR |
| 2 | KNZ028 | bombin embrague 145/6,155,156,164, gtv/spider (916) | 51.50 EUR |
| 2 | KNZ008 | bombin embrague Sud/Sprint,33 (905/7) 145/6, 1.4,1.6,1.7, 16V,156,gtv/spider (916) fijacion por clip | 59.00 EUR |

Kupplungsbetätigung/Clutch Actuation gtv/spider (916) 3.0 V6 24V



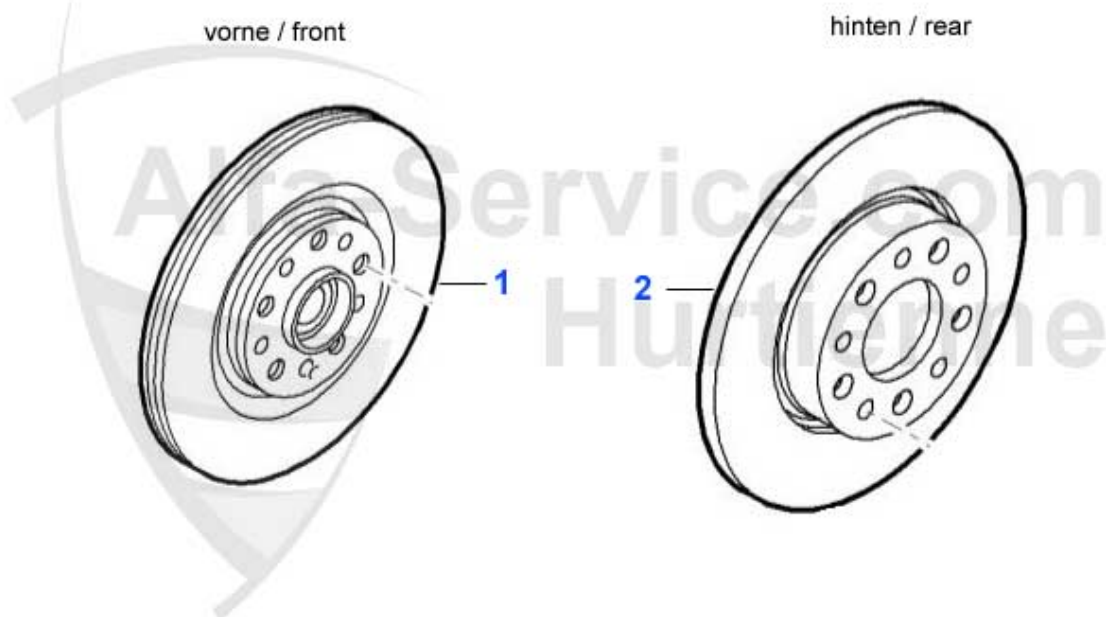
| | | | |
|---|--------|--|-----------|
| 1 | KGZ027 | cilindro emisor embr. 145/6,155, gtv/spider (916) | 89.00 EUR |
| 2 | KNZ028 | bombin embrague 145/6,155,156,164, gtv/spider (916) | 51.50 EUR |
| 2 | KNZ008 | bombin embrague Sud/Sprint,33 (905/7) 145/6, 1.4,1.6,1.7, 16V,156,gtv/spider (916) fijacion por clip | 59.00 EUR |

Kupplungsbetätigung/Clutch Actuation gtv/spider (916) 3.2 V6 24V



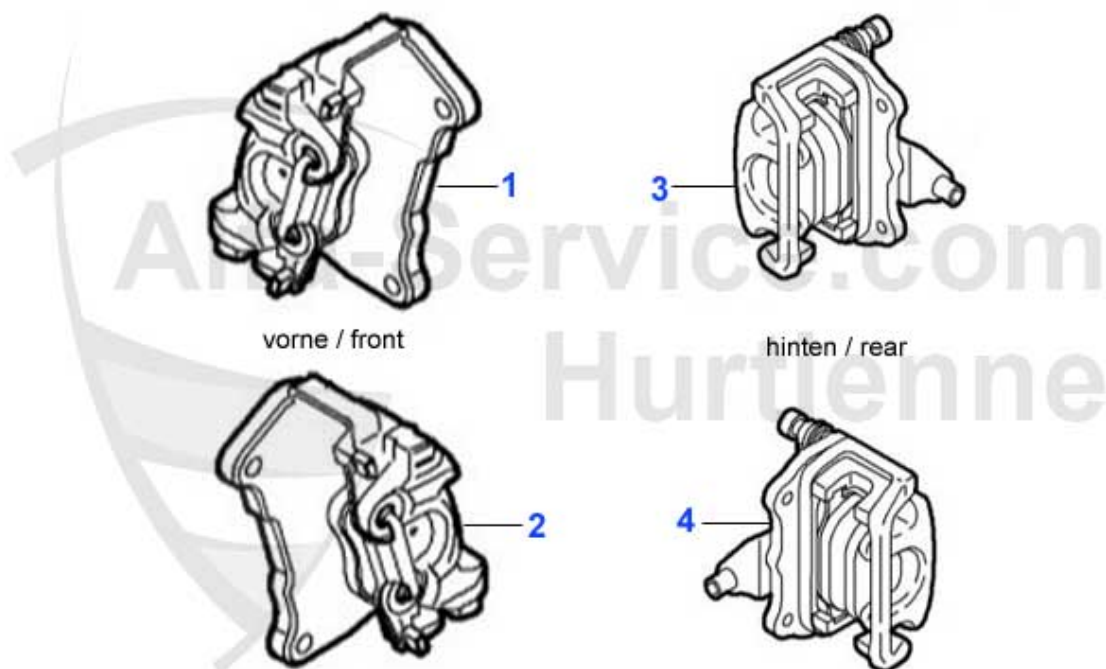
| | | | |
|---|--------|--|-----------|
| 1 | KGZ027 | cilindro emisor embr. 145/6,155, gtv/spider (916) | 89.00 EUR |
| 2 | KNZ028 | bombin embrague 145/6,155,156,164, gtv/spider (916) | 51.50 EUR |
| 2 | KNZ008 | bombin embrague Sud/Sprint,33 (905/7) 145/6, 1.4,1.6,1.7, 16V,156,gtv/spider (916) fijacion por clip | 59.00 EUR |

Brera/Spider (939) > frenado > discos de freno



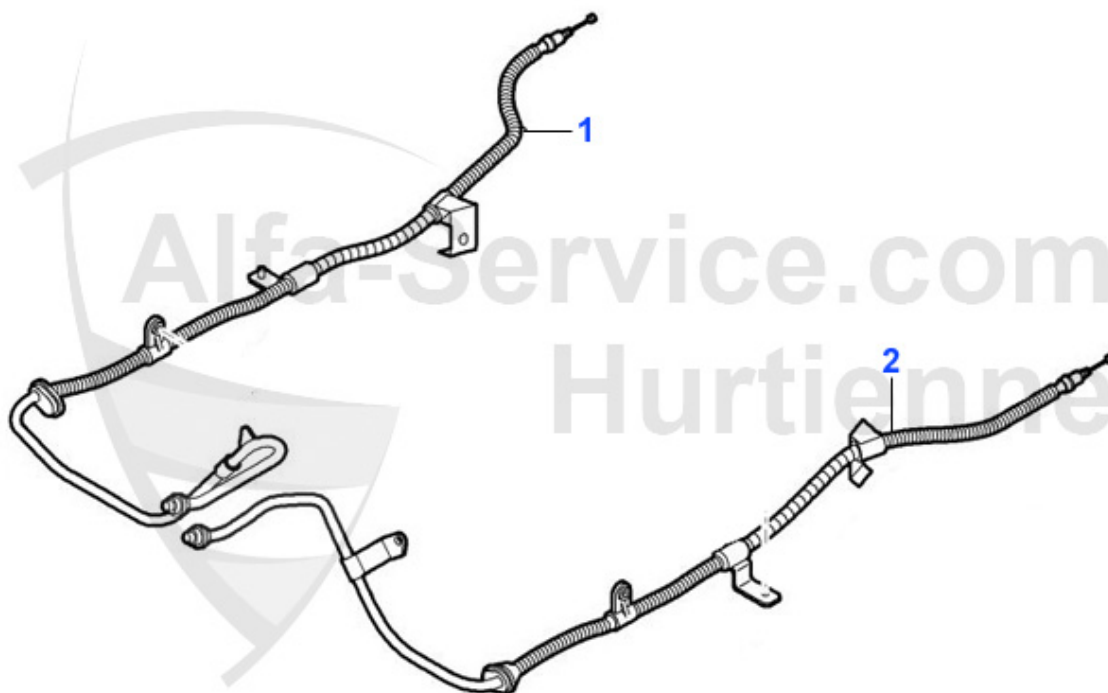
| | | | |
|---|---------|--|------------|
| 1 | BS60621 | disco de freno del. 156 2,2 JTS 05-08 Brera >05/Spider >06 | 93.00 EUR |
| 2 | BS60273 | disco de freno tras. 159 2,2 JTS 05-08 Brera >05/ Spider >06 | 100.00 EUR |

Brera/Spider (939) > frenado > pinzas



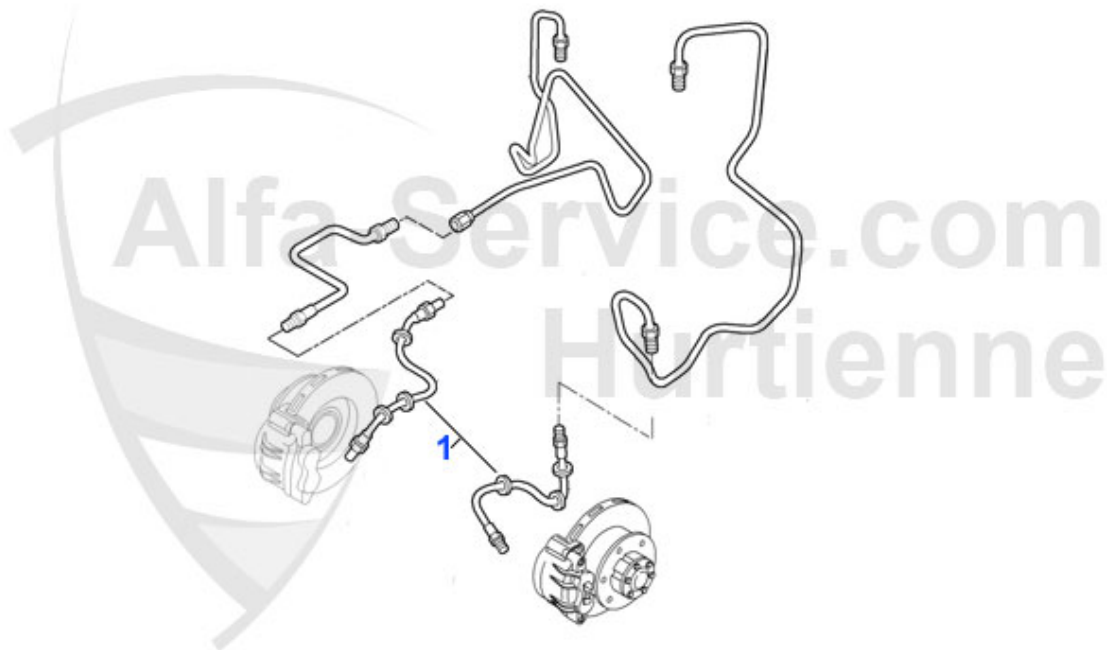
| | | | |
|---|----------|--|-----------|
| 1 | BZ416380 | pinza del. derecha 159 05-08 1,8JTS/1,9JTS/2,2JTS/1,9JTD/Brera >05 Spider >06 | *** |
| 2 | BZ416379 | pinza del. izq. 159 05-08 1,8JTS/1,9JTS/2,2JTS/1,9JTD/Brera >05 Spider >06 | *** |
| 3 | BZ3652 | Bremssattel hinten rechts 159,Brera Spider (05-09) 1,8TBi/2,4JTDM/3,2JTS/3,2JTS Q4/2,4JTDM Q4 | 82.24 EUR |
| 4 | BZ3651 | Bremssattel hinten links 159,Brera, Spider (05-09) 1,8TBi/2,4JTDM/3,2JTS/3,2JTS Q4/2,4JTDM Q4/ | 82.24 EUR |

Brera/Spider (939) > frenado > cable de freno de mano



| | | | |
|---|--------|---|-----------|
| 1 | HS5484 | Handbremsseil rechts Brera 2005-2010 Spider 2006-2010 | 52.50 EUR |
| 2 | HS5483 | Handbremsseil links Brera 2005-2010 Spider 2006-2010 | 52.50 EUR |

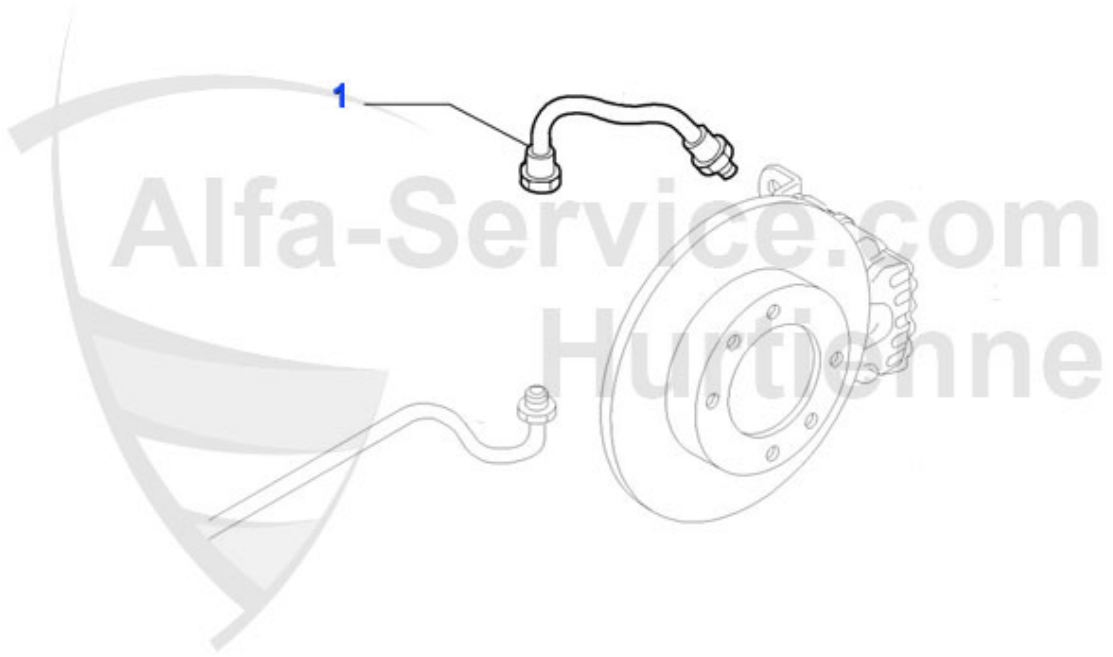
Brera/Spider (939) > frenado



1 BS511700 Bremsschlauch vorne 159 (05-08) 1,9BZ/1,9TD/2,2BZ Brera/Spider 2,2BZ (05-08)

22.00 EUR

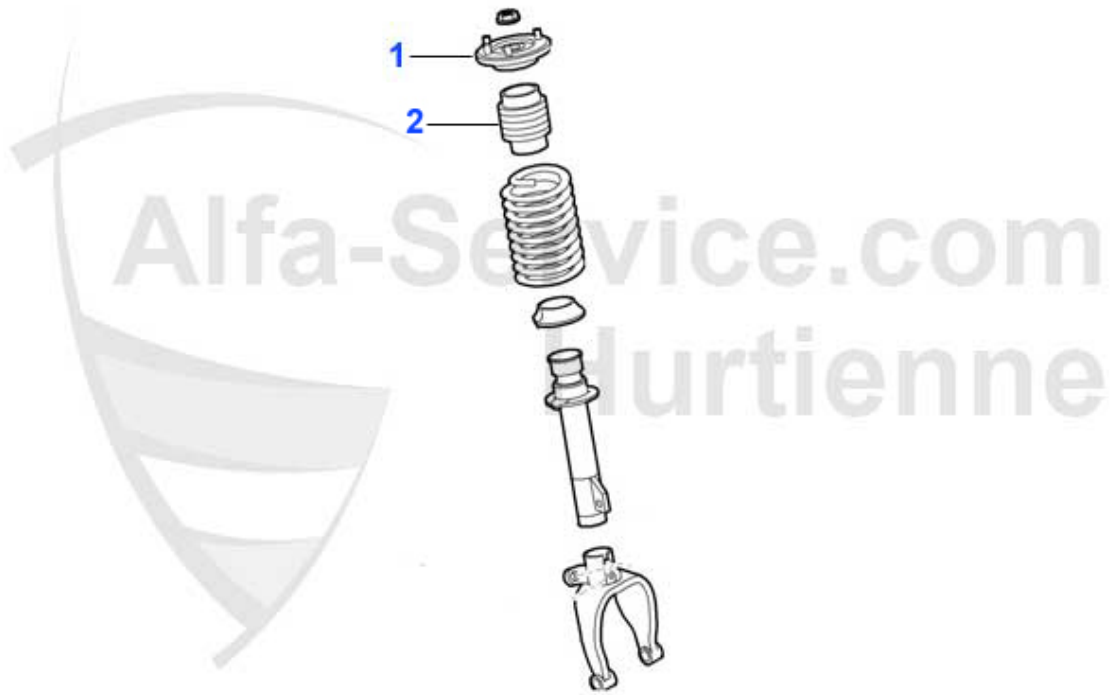
Brera/Spider (939) > frenado



1 BS511710 Bremsschlauch hinten 159 1,9BZ/1,9TD/2,2BZ (05-10) Brera/Spider
(05-10)

21.00 EUR

Brera/Spider (939) > suspension > amortiguadores vorne



| | | | |
|---|----------|---|-----------|
| 1 | FBL07110 | Federbeinlager AR159/Brera/Spider ab06/rechts links gleich! | 40.96 EUR |
| 2 | SK07987 | Staubkappe Federbein vorne Alfa 159 Brera,Spider 05-10 | 24.89 EUR |

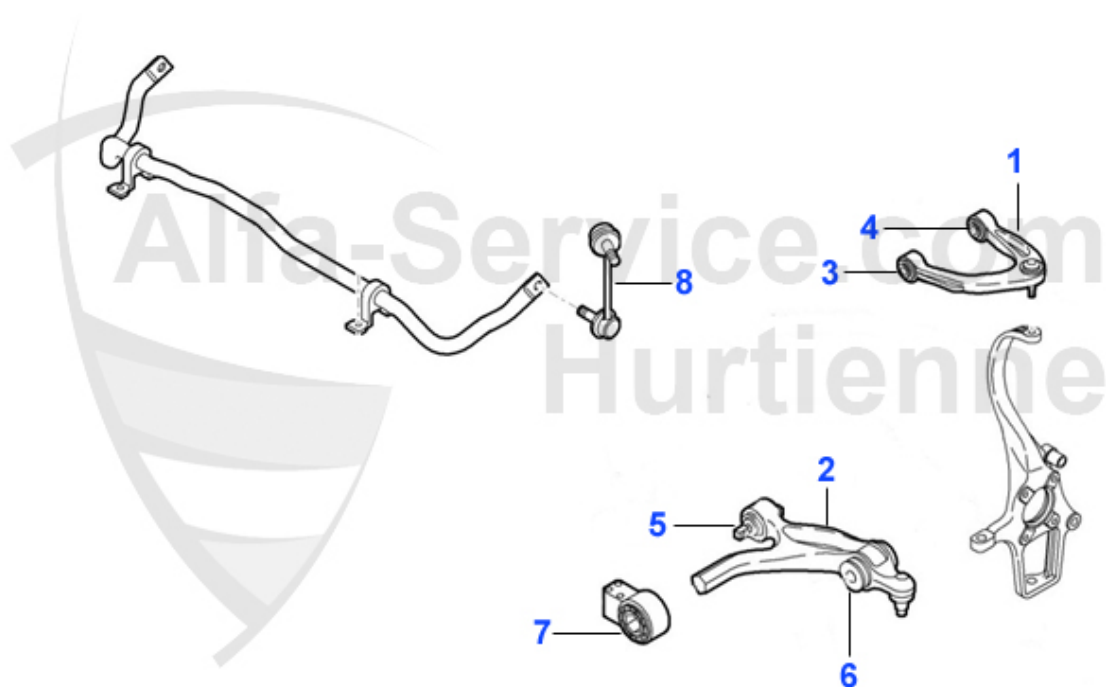
Brera/Spider (939) > suspension > amortiguadores hinten



1 SK04752 Staubkappe Hinterachse Alfa 159 Brera, Spider 05-10 (Federbein)

38.00 EUR

Brera/Spider (939) > suspension > suspension delantera



| | | | |
|---|---------|--|------------|
| 1 | QL040 | Alfa 159 Lenker Vorderachse oben links (brera+Spider ab 09- | *** |
| 1 | QL039 | Alfa 159 Lenker Vorderachse oben rechts /Alfa159 (05-08) Brera 05-10 Spider (06-10) | 135.01 EUR |
| 1 | QL038 | Alfa 159 Lenker Vorderachse oben links (Brera 05-08/Spider 06-08) | 89.00 EUR |
| 1 | QL041 | Alfa 159 Lenker Vorderachse oben rechts (Brera+Spider ab09- | *** |
| 2 | QL029 | Querlenker unten links Alfa 159 Brera und Spider 06-10 | 149.00 EUR |
| 2 | QL030 | Querlenker unten rechts Alfa 159 Brera und Spider 06-10 | 149.00 EUR |
| 3 | AB40801 | Silentbuchse oberer Querlenker VA vorne AR 159, Brera+Spider (05-10) | *** |
| 4 | AB40802 | Silentbuchse oberer Querlenker VA hinten AR 159, Brera+Spider (05-10) | *** |
| 5 | AB40803 | Silentbuchse unterer Querlenker VA am Rahmen hinten AR 159, Brera, Spider 06-10 | *** |
| 6 | AB40804 | Silentbuchse Querlenker unten VA Aufnahme Federbein AR 159, Brera, Spider 06-10 | *** |
| 7 | QL1909 | Befestigungsbuchse rechts unterer Querlenker am Rahmen AR 159 Brera (05-10) Spider (06-10) | 89.00 EUR |
| 7 | QL1908 | Befestigungsbuchse links unterer Querlenker am Rahmen AR 159 Brera (05-10) Spider (06-10) | 89.00 EUR |
| 8 | SS1508 | Pendelstütze VA rechts AR 159 Brera (05-10) Spider (06-10) | 30.00 EUR |
| 8 | SS1509 | Pendelstütze VA links AR 159 Brera (05-10) Spider (06-10) | 30.00 EUR |

Radlager/Wheel Bearing gtv/spider (916) - 4 Cyl.

vorne/front:



hinten/rear:



| | | | |
|---|---------|---|-----------|
| 1 | RL9051 | kit rodamiento de rueda delantera 145/6,155 (Q4 aussi trasero),spider/ gtv (916) | 59.00 EUR |
| 2 | RL15843 | rodamiento de rueda delantero 145/6 99> con ABS, gtv/spider (916) #6063042 | 84.00 EUR |
| 3 | RN66910 | Radnabe VA gtv/spider (916),147 | 58.99 EUR |
| 4 | RN16023 | Radnabe hinten spider/gtv (916) Bj. > 4.00 # > 6063041 | 99.00 EUR |
| 5 | RN6090 | Radnabe hinten gtv/spider (916) Bj. 4.00 > # 6063041 > | *** |

Radlager/Wheel Bearing gtv/spider (916) - 6 Cyl.

vorne/front:

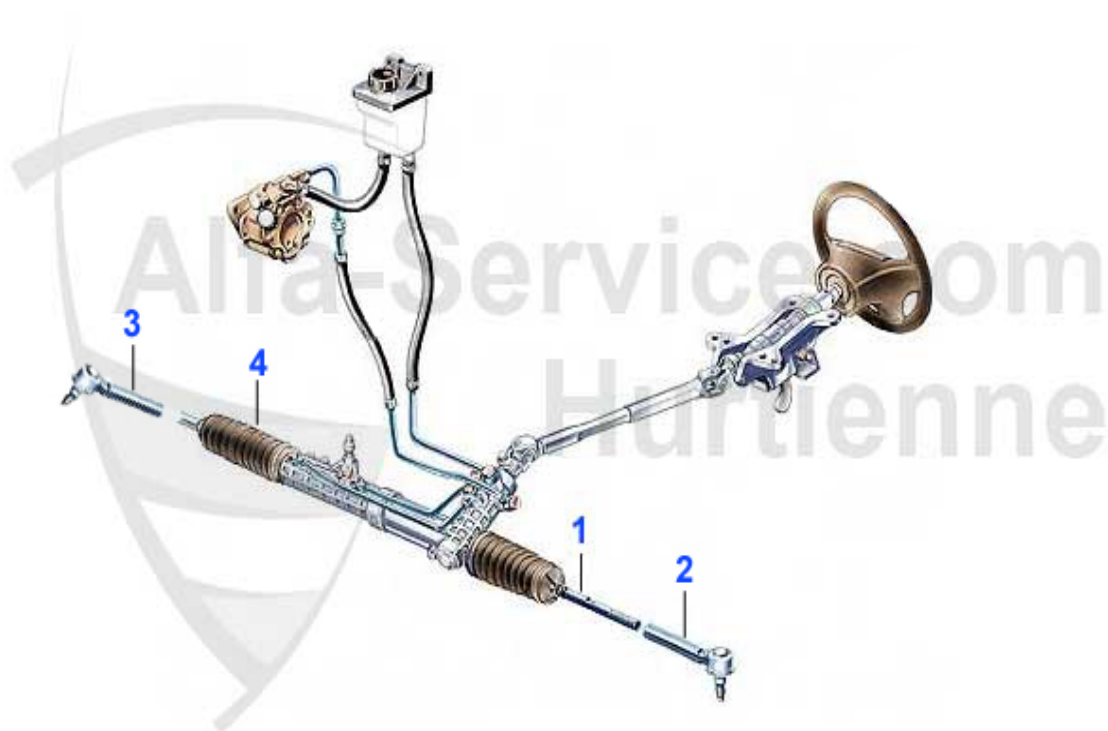


hinten/rear:

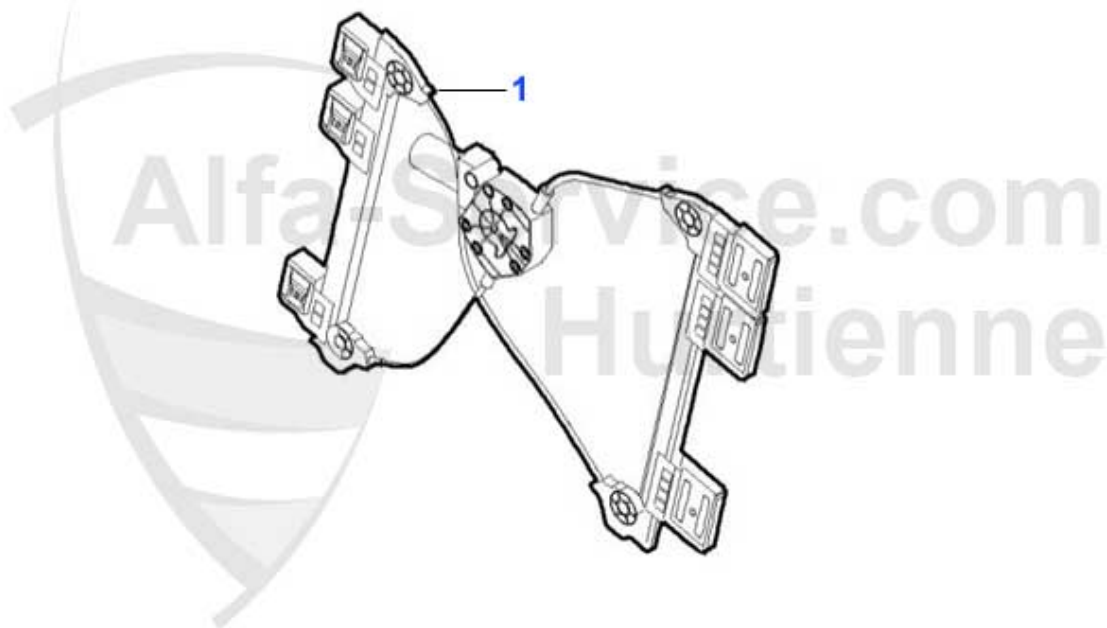


| | | | |
|---|---------|--|------------|
| 1 | RL9054 | kit rodamiento de rueda delantera 155 2.0 16V Turbo, 164/Super 2.0 TS #0014992 >,2.0 V6 turbo, 3.0 V6/24V/QV, 145/6 1.9 JTD (sin ABS)gtv/Spider (916) V6/24V | 85.00 EUR |
| 2 | RL15843 | rodamiento de rueda delantero 145/6 99> con ABS, gtv/spider (916) #6063042 | 84.00 EUR |
| 3 | RN3000 | cubo de rueda delantera 156, gtv/spider (916) | 74.99 EUR |
| 4 | RN10369 | cubo de rueda delantera 147,156,gtv/ spider(916), nuovo GT 3.2 V6 24V/GTA | 122.08 EUR |
| 5 | RN16023 | Radnabe hinten spider/gtv (916) Bj. > 4.00 # > 6063041 | 99.00 EUR |
| 6 | RN6090 | Radnabe hinten gtv/spider (916) Bj. 4.00 > # 6063041 > | *** |

Brera/Spider (939) > direccion > piezas dirección



| | | | |
|---|----------|---|-----------|
| 1 | AG1305 | Axialgelenk AR159,Brera,Spider | *** |
| 2 | SSK63706 | Spurstangenkopf links 159 (05-08) Brera (05-10) Spider (06-10) | 22.40 EUR |
| 3 | SSK63707 | Spurstangenkopf rechts 159 (05-08) Brera (05-10) Spider (06-10) | 22.40 EUR |
| 4 | LMS63705 | Lenkmanschette 159(2005-2008) Brera ab05/Spider ab06 | 19.00 EUR |



| | | | |
|---|---------|---|------------|
| 1 | FH09767 | Fensterheber kompl. rechts Brera (05-10) Spider (06-10) | 279.00 EUR |
| 1 | FH09768 | Fensterheber kompl. links Brera (05-10) Spider (06-10) | 279.00 EUR |



1 ZI03759 Konsole mit Zusatzinstrumenten (Tank, Uhr, Wassertemperatur)
gtv/spider (916) Bj. >98

344.99 EUR



1 SCH02654 Schalter f. Tanklappe gtv/spider (916) Bj. >98

Brera/Spider (939) > electricidad > fusible

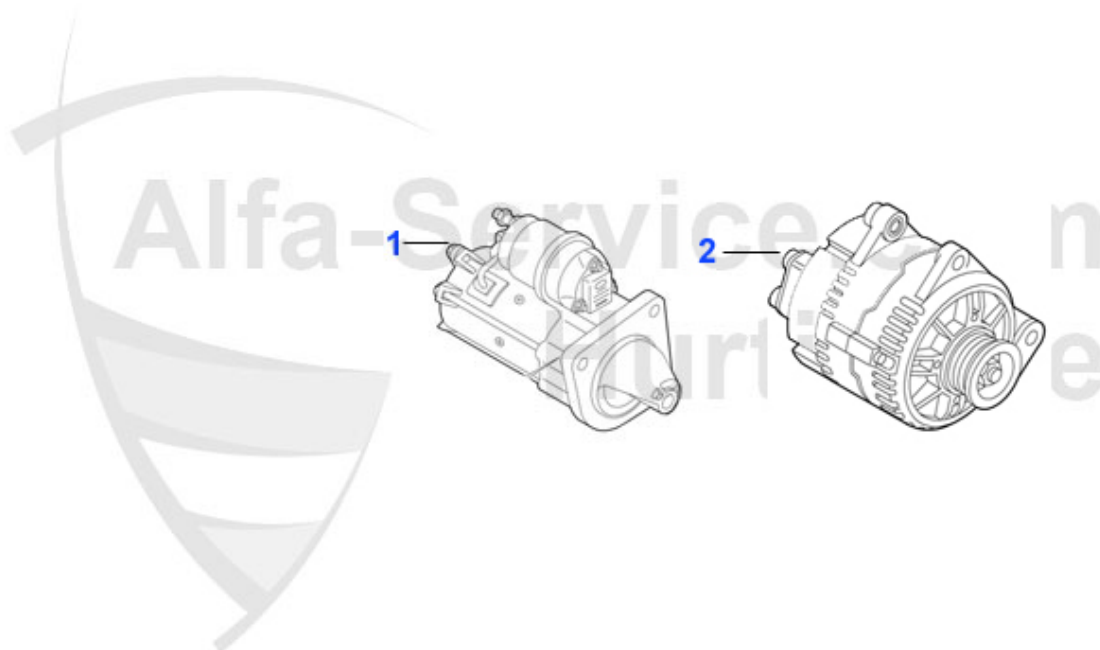


| | | | |
|---|--------|----------------------------|----------|
| 1 | FSI075 | Flachsteck-Sicherung 7,5 A | 0.20 EUR |
| 2 | FSI010 | Flachsteck-Sicherung 10 A | 0.20 EUR |
| 3 | FSI020 | Flachsteck-Sicherung 20 A | 0.20 EUR |
| 4 | FSI025 | Flachsteck-Sicherung 25 A | 0.20 EUR |
| 5 | FSI030 | Flachsteck-Sicherung 30 A | 0.20 EUR |



| | | | |
|---|----------|---|-----------|
| 1 | RFS9099 | Rückfahrl.-Schalter 159, Brera,Spider,MITO, | 9.90 EUR |
| 2 | WTG60145 | seniore temperatura aqua 33(905/7),75 155,164/Super,Spider(115),RZ/SZ, GTV Spider(916) | 13.99 EUR |

Brera/Spider (939) > electricidad > electricidad motor > alternador/motor de arranque



| | | | |
|---|---------|---|------------|
| 1 | AN82321 | motor de arranque AR 159 JTD 05-08 | 250.00 EUR |
| 1 | AN82340 | Anlasser 159, Brera, Spider (05-10) 3,2 V6 AT-Teil mit Pfand | 275.00 EUR |
| 1 | AN82330 | Anlasser 159, Brera, Spider (05-10) 3,2 V6 Neuteil ohne Pfand | 650.16 EUR |
| 1 | AN82322 | Anlasser 159 1,9JTD (05-08) MITO (08-11) GT (03-10) AT-Teil mit Pfand | 250.00 EUR |
| 1 | AN83906 | Anlasser AR 159 2.2JTS + 1,9JTS auch Brera + Spider 05-10 AT-Teil mit Pfand | 249.00 EUR |
| 2 | LI4290 | Lichtmaschine 159, Brera, Spider 05-10 1,9JTS Neuteil kein Pfand | 428.00 EUR |
| 2 | LI4260 | Lichtmaschine 159, Brera, Spider, 2,2JTS (Neuteil kein Pfand) | 420.00 EUR |
| 2 | LI4390 | Lichtmaschine 159, Brera, Spider (05-10) 2,4JTD 20V AT-Teil mit Pfand | 310.00 EUR |
| 2 | LI4370 | Lichtmaschine 159, Brera, Spider(05-10) MITO ab2011 Neuteil kein Pfand | 410.00 EUR |
| 2 | LI4360 | Lichtmaschine 159, Brera, Spider (05-10) MITO ab 2011 1,9 JTD 8V AT-Teil m. Pfand | 290.00 EUR |
| 2 | LI4350 | Lichtmaschine 159, Brera, Spider (05-10) MITO ab 2011 1,9 JTD 8V Neuteil o. Pfand | 410.00 EUR |
| 2 | LI4280 | Lichtmaschine 159, Brera, Spider, 2,2JTS (AT-Teil m. Pfand) | 258.00 EUR |
| 2 | LI4320 | Lichtmaschine 159, Brera, Spider (05-10) 3,2 V6 AT-Teil mit Pfand | 369.99 EUR |
| 2 | LI4310 | Lichtmaschine 159, Brera, Spider(05-10) 3,2 V6 Neuteil kein Pfand | 600.00 EUR |
| 2 | LI4300 | Lichtmaschine 159, Brera, Spider 05-10 1,9JTS AT-Teil mit Pfand! | 258.00 EUR |
| 2 | LI4340 | Lichtmaschine 159 1,8 16V (05-10) AT-Teil mit Pfand | 300.00 EUR |

Brera/Spider (939) > acabado interior > alfombrilla



1 FMS 939 Fußmattensatz Spider Bj. 2006> schwarz/rotes Emblem Tuftvelours,
gekettelt, Rückenbe- schichtung: Latex Feinprägung

73.49 EUR